

FNS 7770 E

Built-in freezer

with NoFrost and 8 freezer drawers on telescopic runners for max. convenience.

EAN: 4002516413684 / Material number: 11730390 / Old Material Number: 37777000GB

- No icing up of food and no need to defrost thanks to NoFrost
- Push2open for convenient door-opening assistance
- Optimum and maintenance-free LED lighting in compartment
- Light floods the interior thanks to LED elements – BrilliantLight
- Soft closing of the door with SoftClose
- Fresh ice cubes from the IceMaker with mains water connection
- Food is frozen quickly and gently – SuperFreeze
- Convenient control thanks to colour touch display MasterSensor
- Flexible increase in freezer volume – VarioRoom

Appliance category	
Freezer	•
Construction type	
Built-in appliance	•
Integrated appliance	•
Door hinge	Left
Convertible door hinging	•
Side-by-side enabled	•
Design	
Freezer compartment lighting	LED
User convenience	
Networking with Miele@home	•
NoFrost	•
VarioRoom	•
SoftClose	•
Controls	
Operating concept	FreshTouch
Independent temperature regulation of fridge and freezer zones	No
SuperFreeze	•
No. of temperature zones	1
Sabbath mode	•
Party mode	•
Freezer/Freezer section	
of which on runners	8
Efficiency and sustainability	
Energy efficiency class (A–G)	E
Annual energy consumption in kWh	236.84
Energy consumption in 24 h in kWh	0.64
Safety	
Lock function	•
Acoustic door alarm	•
Acoustic temperature alarm	•
Optical door alarm	•
Optical temperature alarm	•
Power cut indication for freezer section	•
Technical data	
Niche width in mm min.	560
Niche width in mm max.	570
Niche height in mm min.	1772
Niche height in mm max.	1780
Niche depth in mm	550
Appliance width in mm	559
Appliance height in mm	1770
Appliance depth in mm	544
Weight in kg	70.9
Door hinge technology	Fixed door
Max. door front weight – freezer, in kg	26
Climate class	SN-T
4* freezer compartment in l	213

FNS 7770 E

Built-in freezer

with NoFrost and 8 freezer drawers on telescopic runners for max. convenience.

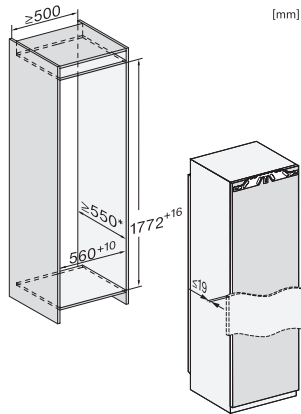
EAN: 4002516413684 / Material number: 11730390 / Old Material Number: 37777000GB

Storage time in case of fault in h	9
Freezer capacity in kg/24 h	10.00
Noise class (A–D)	B
Sound power in dB(A) re 1 pW	35
Current consumption (mA)	0
Voltage in V	220-240
Fuse rating in A	10
Number of phases	1
Frequency in Hz	50
Length of supply lead in m	2.2
Replacing lamps	Kundendienst
Accessories supplied	
Ice cube tray	•

FNS 7770 E

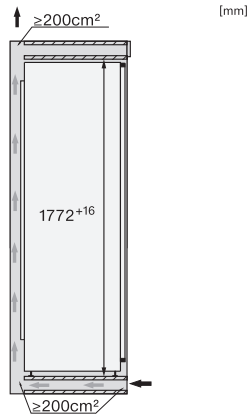
Built-in freezer

with NoFrost and 8 freezer drawers on telescopic runners for max. convenience.



K7733E, K7763E, K7732E, K7734F, K7764E, K7743E, K7744E, K7773D, K7774D, built-in (footnote*) (installation drawings)

*The declared energy consumption was calculated in a 560 mm deep niche. The appliance is fully functional in a 550 mm niche but the energy consumption will be slightly higher.



K7733E, K7763E, K7732E, K7734F, K7764E, K7743E, K7744E, K7773D, K7774D, side view (installation drawings)