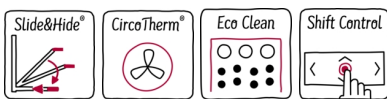


N 70, Built-in oven, 60 x 60 cm, Stainless steel
B47CR32NOB



A+



Built-in oven with Slide&Hide® - unrestricted access to the oven interior

- ✓ Slide&Hide® – The fully disappearing oven door with rotating handle.
- ✓ CircoTherm® – Smart hot-air solution that lets you bake on up to four levels.
- ✓ Eco Clean with Base Clean - the duo that makes oven cleaning easier
- ✓ Shift Control - fast navigation through menus and simple operation with the TFT display.

Features

Technical Data

Color / Material Front : Stainless steel
 Construction type : Built-in
 Integrated Cleaning system : Catalytic all sides
 Min. required niche size for installation (HxWxD) : 585-595 x 560-568 x 550 mm
 Dimensions : 595 x 596 x 548 mm
 Dimensions of the packed product (HxWxD) : 675 x 690 x 660 mm
 Control Panel Material : Glass
 Door Material : Glass
 Net weight : 36.1 kg
 Usable volume of cavity : 71 l
 Cooking method : , 4D Hotair, Bottom heat, Bread Baking Setting, Conventional heat, Dough proving, Full width grill, Half width grill, Hot Air-Eco, Hot air grilling, low temperature cooking, Pizza setting
 Oven control : electronic
 Number of interior lights : 1
 Length of electrical supply cord : 120 cm
 EAN code : 4242004181521
 Number of cavities (2010/30/EC) : 1
 Energy efficiency rating : A+
 Energy consumption per cycle conventional (2010/30/EC) : 0.87 kWh/cycle
 Energy consumption per cycle forced air convection (2010/30/EC) : 0.69 kWh/cycle
 Energy efficiency index (2010/30/EC) : 81.2 %
 Connection rating : 3450 W
 Fuse protection : 16 A
 Voltage : 220-240 V
 Frequency : 60; 50 Hz
 Plug type : no plug (electrical connection by electrician)
 Included accessories : 2 x combination grid, 1 x universal pan

Optional accessories

Z11AB15A0	Baking tray, non-stick ceramic coated
Z11CR10X0	Baking and roasting grid (standard)
Z11SZ00X0	SeamlessCombination mounting kit
Z11SZ80X0	SeamlessCombination 60 + 29cm
Z11SZ90X0	SeamlessCombination 60 + 45cm
Z11TC10X0	ComfortFlex Rail (1 level)
Z11TC16X0	ComfortFlex Rail (1 level) and racks
Z11TF36X0	3 level telescopic rails, full ext
Z12CB10A0	Baking tray, anthracite enamelled
Z12CM10A0	Moussaka pan, anthracite enamelled



4 242004 181521

N 70, Built-in oven, 60 x 60 cm, Stainless steel
B47CR32NOB



COOKING PASSION SINCE 1877

Features

Design

- 2.5" TFT colour display
- Cavity inner surface: enamel anthracite
- Illuminated Shift Control
- Slide&Hide® with rotating handle
- We recommend you to choose complementary products within N70, in order to assure an optimal design combination of your Built-In appliances.

Features

- Control panel lock
Automatic safety switch off Residual heat indicator Start button
Door contact switch
- Temperature proposal
Actual temperature display Heating up indicator
- Interior halogen light, On/off button
- Electronic clock timer
- 4 shelf positions

Cleaning

- EcoClean Direct : ceiling, back panel, side liners
- EcoClean programme, Base Clean programme
- Full glass inner door

Programmes/functions

- Oven with 12 main functions heating methods: CircoTherm®, CircoTherm® Gentle, Top/bottom heat, Conventional heat Gentle, Circo-roasting, Full surface grill, Centre surface grill, CircoTherm® intensive, Bread baking, Bottom heat, Low temperature cooking, Dough proving
- Rapid heat
- Cooling fan

Accessories

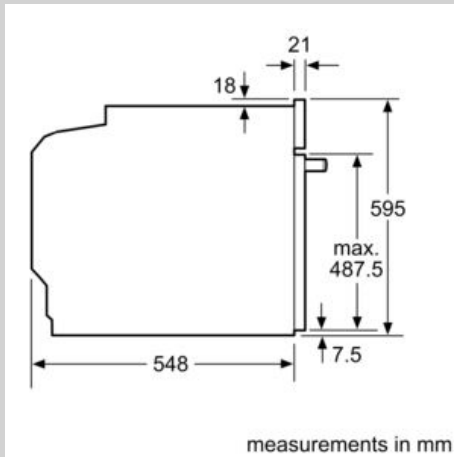
- 1 x universal pan, 2 x combination grid

Performance/technical information

- Energy efficiency rating (acc. EU Nr. 65/2014): A+
Energy consumption per cycle in conventional mode: 0.87 kWh
Energy consumption per cycle in fan-forced convection mode: 0.69 kWh
Number of cavities: Main cavity Heat source: electrical Cavity volume: 71 litre
- Total connected load electric: 3.45 KW
- Temperature range 40 °C - 200 °C
- 120 cm Cable length
- Nominal voltage: 220 - 240 V
- Appliance dimension (hxwxh): 595 mm x 596 mm x 548 mm
- Niche dimension (hxwxh): 585 mm - 595 mm x 560 mm - 568 mm x 550 mm
- Please refer to the dimensions provided in the installation manual

N 70, Built-in oven, 60 x 60 cm, Stainless steel
B47CR32NOB

Dimensioned drawings



If the appliance will be installed underneath a hob, the following worktop thicknesses (including substructure if necessary) must be taken into account.

Hob type	min. worktop thickness	
	fitted	flush
Induction hob	37 mm	38 mm
Full surface Induction hob	47 mm	48 mm
Gas hob	30 mm	38 mm
Electric hob	27 mm	30 mm

