

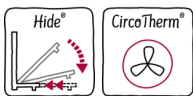
N 50, Built-in oven, 60 x 60 cm, Graphite-Grey
B3ACE4HGOB



COOKING PASSION SINCE 1877



A



Built-in Slide&Hide® oven with fixed handle - unrestricted access to the oven interior thanks to the fully retracting oven door

- ✓ Hide® – The fully retracting oven door.
- ✓ CircoTherm® – Smart hot-air solution that lets you bake on up to three levels at once.
- ✓ LCD-Display – simple, straightforward with large characters for clear reading
- ✓ Cliprails – Place dishes exactly where you want them in your oven.

Features

Technical Data

Color / Material Front : Graphite
 Construction type : Built-in
 Integrated Cleaning system : Catalytic partial, Hydrolytic
 Min. required niche size for installation (HxWxD) : 585-595 x 560-568 x 550 mm
 Dimensions : 595 x 594 x 548 mm
 Dimensions of the packed product (HxWxD) : 670 x 690 x 660 mm
 Control Panel Material : Glass
 Door Material : Glass
 Net weight : 34.7 kg
 Usable volume of cavity : 71 l
 Cooking method : Bottom heat, Conventional heat, Full width grill, Hot Air, Hotair gentle, Hot air grilling, Pizza setting
 First cavity material : Other
 Oven control : mechanical
 Number of interior lights : 1
 EAN code : 4242004263494
 Number of cavities (2010/30/EC) : 1
 Energy efficiency rating : A
 Energy consumption per cycle conventional (2010/30/EC) : 1.04 kWh/cycle
 Energy consumption per cycle forced air convection (2010/30/EC) : 0.81 kWh/cycle
 Energy efficiency index (2010/30/EC) : 95.3 %
 Connection rating : 2990 W
 Fuse protection : true A
 Voltage : 220-240 V
 Frequency : 50; 60 Hz
 Plug type : no plug (electrical connection by electrician)
 Included accessories : 2 x combination grid, 1 x universal pan

Optional accessories

- Z11AB15A0 Baking tray, non-stick ceramic coated
- Z11CB10E0 Baking tray, grey enamelled
- Z11CR10X0 Baking and roasting grid (standard)
- Z11TF36X0 3 level telescopic rails, full ext
- Z11TI15X0 Cliprails



4 242004 263494

Features

Design

- Graphite-Grey Edition
- LCD Display (White)
- Electronic clock timer
- Slide&Hide® with fixed handle
- Bar handle
- Elongated designed dials, Retractable control dials, Bevelled oval controls
- Cavity inner surface: enamel grey
- 4 shelf positions

Features

- Heat reflective glass
- Control panel lock
- Heating up indicator
Automatic start
- Manual rapid heating up
- Interior halogen light
- Cooling fan
- Stainless-steel fan

Cleaning

- EcoClean Direct : back panel
- EasyClean
- Full glass inner door

Programmes/functions

- Oven with 7 PC heating methods: CircoTherm®, Top/bottom heat, Circo-roasting, Full surface grill, CircoTherm® intensive, Bottom heat, CircoTherm® gentle
- Temperature range 50 °C - 275 °C

Accessories

- 2 x combination grid, 1 x universal pan
- 1 Clip rail, Stop function

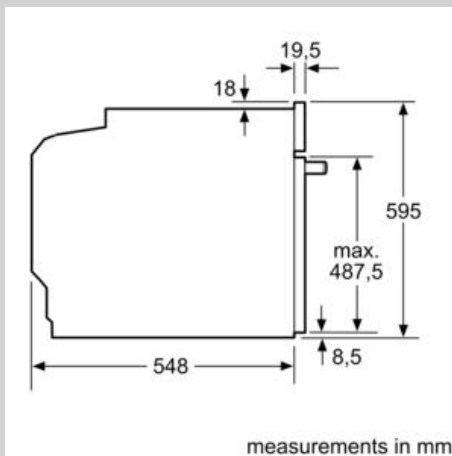
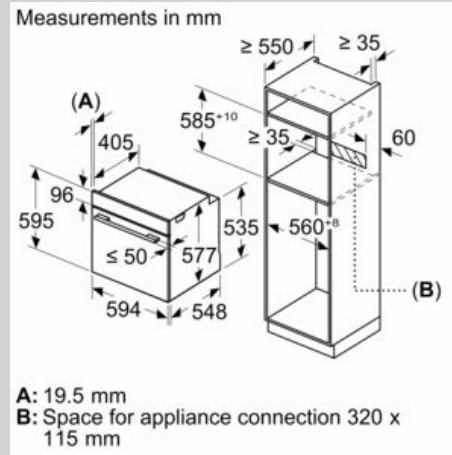
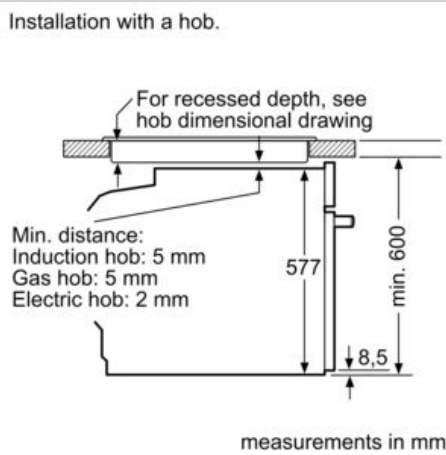
Technical information

- Cavity volume: 71 litre
- 120 cm Cable length
- Nominal voltage: 220 - 240 V
- Total connected load electric: 2.99 KW
- Energy efficiency rating (acc. EU Nr. 65/2014): A
Energy consumption per cycle in conventional mode:1.04 kWh
Energy consumption per cycle in fan-forced convection mode:0.81 kWh
Number of cavities: Main cavity Heat source: electrical Cavity volume:71 litre

Performance/technical information

- Appliance dimension (hxwxh): 595 mm x 594 mm x 548 mm
- Niche dimension (hxwxh): 585 mm - 595 mm x 560 mm - 568 mm x 550 mm
- Please refer to the dimensions provided in the installation manual
- We recommend you to choose complementary products within N50, in order to assure an optimal design combination of your Built-In appliances.

Dimensioned drawings



If the appliance will be installed underneath a hob, the following worktop thicknesses (including substructure if necessary) must be taken into account.

Hob type	min. worktop thickness	
	fitted	flush
Induction hob	37 mm	38 mm
Full surface Induction hob	47 mm	48 mm
Gas hob	30 mm	38 mm
Electric hob	27 mm	30 mm

