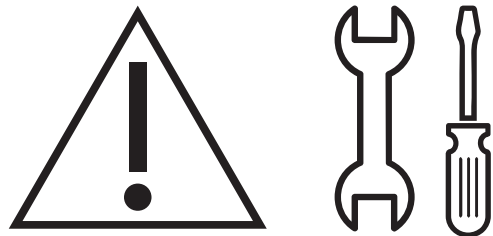




Safety Information and Installation  
Instruction



## EN 1. ⚠ SAFETY INFORMATION

Before the installation and use of the appliance, carefully read the supplied instructions. The manufacturer is not responsible for any injuries or damage that are the result of incorrect installation or usage. Always keep the instructions in a safe and accessible location for future reference.

- This appliance can be used by children aged from 8 years and above and persons with reduced physical, sensory or mental capabilities or lack of experience and knowledge if they have been given supervision or instruction concerning the use of the product in a safe way and understand the hazards involved. Children of less than 8 years of age and persons with very extensive and complex disabilities shall be kept away from the appliance unless continuously supervised.
- Children should be supervised to ensure that they do not play with the appliance and mobile devices with My Electrolux Kitchen / My AEG Kitchen (if applicable).
- Keep all packaging away from children and dispose of it appropriately.
- **WARNING:** Keep children and pets away from the appliance when it operates or when it cools down. Accessible parts become hot.
- Children shall not carry out cleaning and user maintenance of the appliance without supervision.
- If the appliance has a child safety device, it should be activated.
- This appliance is for cooking purposes only.
- This appliance is designed for single household domestic use in an indoor environment.
- This appliance may be used in, offices, hotel guest rooms, bed & breakfast guest rooms, farm guest houses and other similar accommodation where such use does not exceed (average) domestic usage levels.

- **WARNING:** The appliance and its accessible parts become hot during use. Care should be taken to avoid touching heating elements.
- Always use oven gloves to remove or put in accessories or ovenware.
- Always cook with the oven door closed.
- To remove the shelf supports first pull the front of the shelf support and then the rear end away from the side walls. Install the shelf supports in the opposite sequence (if applicable).
- Do not use a steam cleaner to clean the appliance.
- Do not use harsh abrasive cleaners or sharp metal scrapers to clean the glass door since they can scratch the surface, which may result in shattering of the glass.
- **WARNING:** Ensure that the appliance is switched off before replacing the lamp to avoid the possibility of electric shock.
- Use only the food sensor (core temperature sensor) recommended for this appliance (if applicable).
- Do not activate the microwave function when the appliance is empty. Metal parts inside the cavity can create electric arcing.
- Metallic containers for food and beverages are not allowed during microwave cooking. This requirement is not applicable if the manufacturer specifies size and shape of metallic containers suitable for microwave cooking.
- **WARNING:** If the door or door seals are damaged, the appliance must not be operated until it has been repaired by a qualified person.
- **WARNING:** Only a qualified person can carry out any service or repair operation that involves the removal of a cover which gives protection against exposure to microwave energy.
- **WARNING:** Do not heat liquids and other foods in sealed containers. They are liable to explode.
- Use only utensils that are suitable for use in microwave ovens.

- When heating food in plastic or paper containers, observe the appliance due to the possibility of ignition.
- The appliance is intended for heating food and beverages. Drying of food or clothing and heating of warming pads, slippers, sponges, damp cloth and similar may lead to risk of injury, ignition or fire.
- If smoke is emitted, switch off or unplug the appliance and keep the door closed in order to stifle any flames.
- Microwave heating of beverages can result in delayed eruptive boiling. Care must be taken when handling the container.
- The contents of feeding bottles and baby food jars shall be stirred or shaken and the temperature checked before consumption, in order to avoid burns.
- Eggs in their shell and whole hard-boiled eggs should not be heated in the appliance since they may explode, even after microwave heating has ended.
- The appliance should be cleaned regularly and any food deposits removed.
- Use only the turntable and the turntable support designed for this appliance (if applicable).
- Failure to maintain the appliance in a clean condition could lead to deterioration of the surface that could adversely affect the life of the appliance and possibly result in a hazardous situation.

## 2. SAFETY INSTRUCTIONS

### 2.1 Installation and Electrical connection

 **WARNING!**

Only a qualified person must install and connect this appliance.

Follow the installation instructions supplied with the appliance.

Install the appliance in a safe and suitable place that meets installation requirements.

Do not use the appliance before installing it in the built-in structure.

Keep the minimum distance from other appliances and units. Before mounting the appliance, check if the oven door opens without restraint.

Do not install or use a damaged appliance.

Remove all the packaging.

Always take care when moving the appliance as it is heavy. Do not pull the appliance by the handle. Always use safety gloves and enclosed footwear.

## 4 ENGLISH

The appliance is equipped with an electric cooling system. It must be operated with the electric power supply.

**⚠ WARNING!**  
Risk of fire and electric shock.

Make sure that the parameters on the rating plate are compatible with the electrical ratings of the mains power supply.

The appliance must be earthed. Always use a correctly installed shockproof socket.

Do not use multi-plug adapters and extension cables.

This appliance is supplied without a main plug and a main cable.

Do not let mains cables touch or come near the appliance door or the niche below the appliance, especially when it operates or the door is hot.

Use only correct isolation devices: line protecting cut-outs, fuses (screw type fuses removed from the holder), earth leakage trips and contactors.

The electrical installation must have an isolation device which lets you disconnect the appliance from the mains at all poles. The isolation device must have a contact opening width of minimum 3 mm.

For the section of the cable refer to the total power on the rating plate. You can also refer to the table:

**Cable types applicable for installation or replacement for Europe:**

H07 RN-F, H05 RN-F, H05 RRF, H05 VV-F, H05 V2V2-F (T90), H05 BB-F

Total power (W)	Section of the cable (mm <sup>2</sup> )
maximum 1380	3 x 0.75
maximum 2300	3 x 1
maximum 3680	3 x 1.5

## 2.2 Use and Maintenance

**⚠ WARNING!**

Risk of injury, burns, electric shock, fire, explosion or damage to the appliance.

Do not change the specification of this appliance.

Do not let the appliance stay unattended during operation. Deactivate the appliance after each use.

Make sure that the ventilation openings are not blocked.

If the appliance is installed behind a furniture panel (e.g. a door) make sure the door is never closed when the appliance operates. Heat and moisture can build up behind a closed furniture panel and cause subsequent damage to the appliance, the furniture or the floor. Do not close the furniture panel until the appliance has cooled down after use.

Do not use microwave function to preheat the oven.

Be careful when you open the appliance door while the appliance is in operation. Hot air can release.

Do not operate the appliance with wet hands or when it has contact with water.

Do not apply pressure on the open door. Be careful when you remove the door from the appliance. The door is heavy.

Do not use the appliance as a work surface or as a storage surface.

Do not put flammable products or items that are wet with flammable products in, near or on the appliance.

When you place food into hot oil, it may splash.

Open the appliance door carefully. The use of ingredients with alcohol can cause a mixture of alcohol and air.

Do not let sparks or open flames to come in contact with the appliance when you open the door.

Do not share your Wi-Fi password (if applicable).

To prevent damage or discoloration to the enamel:

- do not put ovenware or other objects in the appliance directly on the bottom.
- do not put aluminium foil directly on the bottom of cavity of the appliance.
- do not put water directly into the hot appliance.
- do not keep moist dishes and food in the appliance after you finish the cooking.
- be careful when you remove or install the accessories.

Use a deep pan for moist cakes. Fruit juices cause stains that can be permanent.

Discoloration of the enamel or stainless steel has no effect on the performance of the appliance.

Clean regularly the appliance to prevent the deterioration of the surface material. Fat and food remaining in the appliance can cause fire and electric arcing when the microwave function operates.

Before maintenance, deactivate the appliance and disconnect from the mains. Do not clean the catalytic enamel (if applicable) with detergents.

Make sure the appliance is cold. There is the risk that the glass panels can break. Replace immediately the door glass panels when they are damaged. Contact the Authorised Service Centre.

Make sure the cavity and the door are wiped dry after each use. Steam produced during the operation of the appliance condensates on cavity walls and can cause corrosion.

Clean the appliance with a moist soft cloth. Use only neutral detergents. Do not use abrasive products, abrasive cleaning pads, solvents or metal objects.

Do not clean the catalytic enamel with detergents (if applicable).

If you use an oven spray, follow the safety instructions on its packaging.

Concerning the lamp(s) inside this product and spare part lamps sold separately: These lamps are intended to withstand extreme physical conditions in household appliances, such as temperature, vibration, humidity, or are intended to signal information about the operational status of the appliance. They are not intended to be used in other applications and are not suitable for household room illumination.

Use only lamps with the same specifications.

This product contains a light source of energy efficiency class G.

To repair the appliance contact the Authorised Service Centre. Use original spare parts only.

## 2.3 Disposal

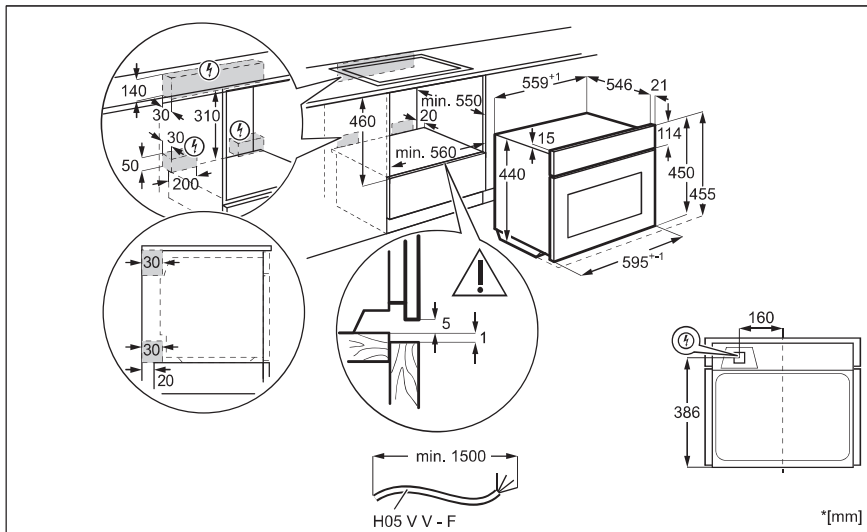
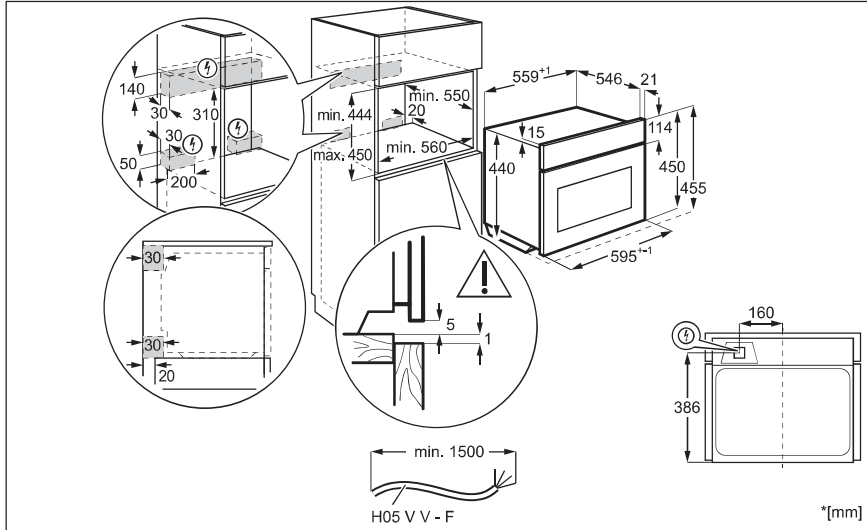
### **WARNING!**

Risk of injury or suffocation.

Disconnect the appliance from the mains supply. Cut off the mains electrical cable close to the appliance and dispose of it.

Remove the door catch to prevent children or pets from becoming trapped in the appliance.

## Installation



867370373-A-492021

UK  
CA