

KMDA 7473 FL-U Silence

Induction hob with integrated vapour extraction

with Silence motor, 4 cooking zones and 2 Flex zones for recirculation mode



- The quietest TwoInOne from Miele – Silence motor
- Flexible installation – Plug&Play or ducted recirculation mode
- Ample space – 4 large cooking zones incl. 2 Flex zones
- Automatic fan power regulation – Con@ctivity
- Compact control using the numerical display – ComfortSelect Plus

EAN: 4002516658139 / Material number: 12246280 / Old Material Number: 26747379GB

| | |
|---|-------------------------|
| Heating type | |
| Heating type on the left | Electric with induction |
| Construction type | |
| Induction hob with integrated extractor | • |
| Operating modes | |
| Design | |
| Elegant glass ceramic surface | • |
| Flush | • |
| Ceramic surface colour | Black |
| Frameless – surface-mounted | • |
| Flush fit extractor | • |
| Cooking zone details | |
| Number of cooking zones | 4 |
| Number of cooking areas | 2 |
| Maximum number of pans | 4 |
| PowerFlex cooking zones | |
| No. | 4 |
| Type | Flex-Kochzone |
| Max. rating in W | 2.10 |
| Max. Booster power rating in W | 3.00 |
| 1st cooking zone/cooking area | |
| Position | Left |
| Max. Booster power rating in W | 3700 |
| Max. rating in W | 3000 |
| 2nd cooking zone/cooking area | |
| Position | right |
| Size in mm | Ø 100–180 |
| Max. Booster power rating in W | 3700 |
| Max. rating in W | 3000 |
| User convenience | |
| Miele@home | • |
| Operation via sensor controls | ComfortSelect Plus |
| Automatic function Con@ctivity | • |
| Digital power level display | • |
| Display colour | Yellow |
| Auto heat-up | • |
| Permanent pan recognition | • |
| Keeping warm | • |
| Stop & Go function | • |
| Recall function | • |
| Minute minder | • |
| Safety switch-off | • |
| Individual setting options (e.g. buzzers) | • |
| Active charcoal filter saturation indicator | • |
| Run-on time 5/15 min. | • |
| Grease filter saturation indicator | • |
| Cleaning convenience | |
| Easy to clean ceramic glass | • |
| Easy-to-clean canopy interior – CleanCover | • |
| Wipe protection | • |

KMDA 7473 FL-U Silence

Induction hob with integrated vapour extraction

with Silence motor, 4 cooking zones and 2 Flex zones for recirculation mode



EAN: 4002516658139 / Material number: 12246280 / Old Material Number: 26747379GB

Filter system

Number of dishwasher-safe stainless steel grease filters (10-ply) 1

Recirculation

Sound power in Booster level (dB(A) re 1 pW) acc. to EN 60704-3 70.0

Sound pressure in Booster level (dB(A) re 20 µPa) acc. to EN 60704-2-13 57.0

Safety

Safety switch-off •

Lock function •

System lock •

Overheating protection •

Residual heat indicator •

Technical data

Dimensions in mm (width) 800

Dimensions in mm (height) 200

Dimensions in mm (depth) 520

Cutout dimensions in mm (width) with surface-mounted installation 780

Casing height incl. connection box in mm 200

Cutout dimensions in mm (depth) with surface-mounted installation 500

Internal cutout dimensions in mm (width) with flush installation 780

Internal cutout dimensions in mm (depth) with flush installation 500

Weight in kg 15

External cutout dimensions in mm (width) with flush installation 804

External cutout dimensions in mm (depth) with flush installation 524

Total rated load in kW 7.50

Voltage in V 230

Frequency in Hz 50-60

Length of supply lead in m 1.6

Accessories supplied

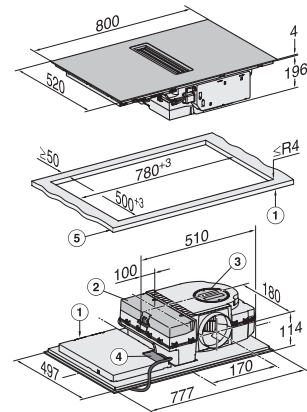
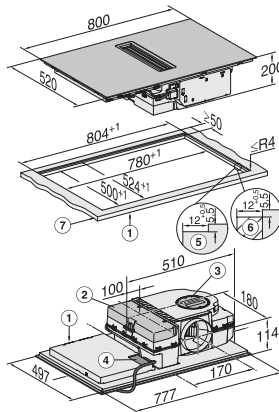
Number of mains cables with plug Yes

KMDA 7473 FL-U Silence

Induction hob with integrated vapour extraction

with Silence motor, 4 cooking zones and 2 Flex zones for recirculation mode

| | Abluftbetrieb | Geführter Umluftbetrieb | Plug&Play-Betrieb |
|----------------|---------------|-------------------------|-------------------|
| KMDA 7473 FR-A | ✓ | – | – |
| KMDA 7473 FR-U | – | ✓ | ✓/✓ |
| KMDA 7473 FL-A | ✓ | – | – |
| KMDA 7473 FL-U | – | ✓ | ✓/✓ |



KMDA7473FL/FR – Operating options

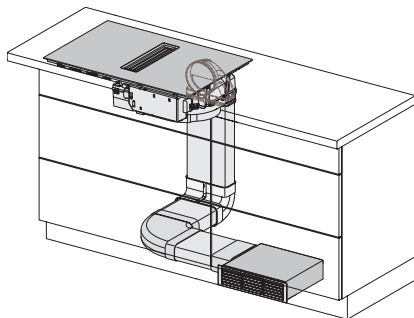
Possible, Possible – further accessories necessary, – Programming must be changed – further accessories necessary

KMDA7272FL, KMDA7473FL – flush – Installation drawing

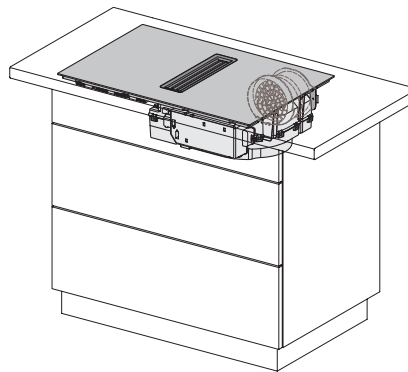
1) Front, 2) removable drip tray, 3) cleaning flap, 4) Mains connection box with mains connection cable, L = 1600 mm, 5) Step milling natural stone worktop, 6) Wooden strip 12 mm (not included in delivery), 7) Worktop thickness, Exhaust air and guided recirculation mode: ≥ 10 mm, Plug&play operation: ≥ 10 mm – ≤ 40 mm

KMDA7272FL, KMDA7473FL – Installation drawing

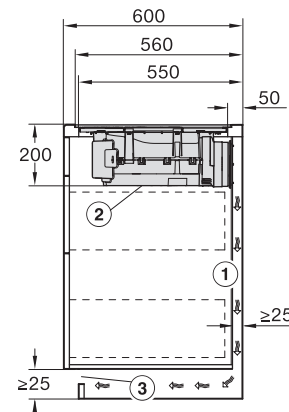
1) Front, 2) Removable drip tray, 3) Cleaning flap, 4) Mains connection box with mains connection cable, L = 1600 mm, 5) Worktop thickness, Exhaust air and guided recirculation mode: ≥ 10 mm, Plug&Play operation: ≥ 10 mm – ≤ 40 mm



KMDA7272FL/FR, KMDA7473FL/FR, Air circulation (Installation drawing)



KMDA7272FL/FR, KMDA7473FL/FR, Plug&Play (Installation drawing)



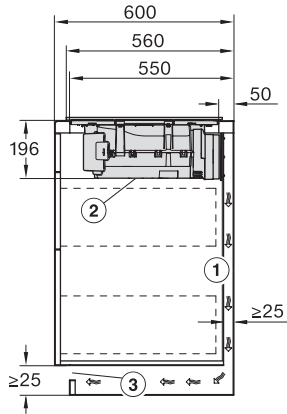
KMDA7272FL, KMDA7473FL – Side view flush, Plug&Play – Installation drawing

A minimum distance of 25 mm must be maintained for routing the exhaust air duct between the cabinet wall and an adjacent room wall or furniture. The removable collection tray and the cleaning flap must be accessible after installation. The cross-section of the ventilation opening must be at least 425 cm².

KMDA 7473 FL-U Silence

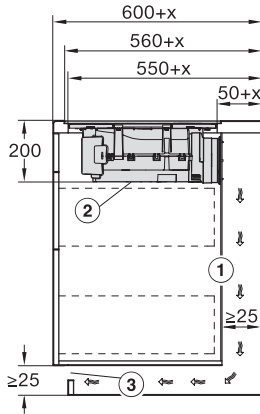
Induction hob with integrated vapour extraction

with Silence motor, 4 cooking zones and 2 Flex zones for recirculation mode



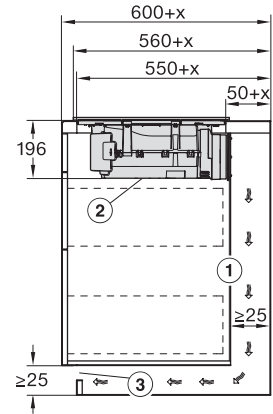
KMDA7272FL, KMDA7473FL – Side view lying on top, Plug&Play – Installation drawing

A minimum distance of 25 mm must be maintained for routing the exhaust air duct between the cabinet wall and an adjacent room wall or furniture., The removable collection tray and the cleaning flap must be accessible after installation., The cross-section of the vent opening must be at least 425 cm².



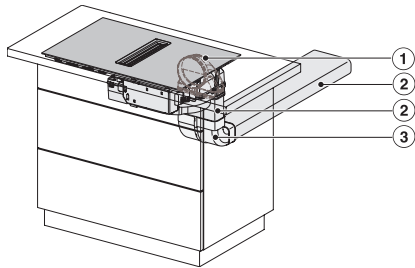
KMDA7272FL, KMDA7473FL – Side view flush+X, Plug&Play – Installation drawing

A minimum distance of 25 mm must be maintained for routing the exhaust air duct between the carcass wall and an adjacent room wall or furniture. If the carcass rear wall is > 555 mm from the worktop front, the Plug&Play adapter must be extended with a supplementary set from Miele., The removable drip tray and the cleaning flap must be accessible after installation., The cross-section of the vent opening must be at least 425 cm²., , x Dimension by which the worktop depth is greater than 600 mm.



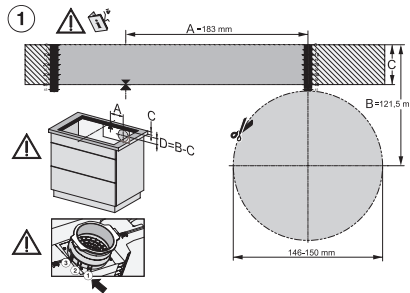
KMDA7272FL, KMDA7473FL – Side view lying on top+X, Plug&Play – Installation drawing

A minimum distance of 25 mm must be maintained for routing the exhaust air duct between the carcass wall and an adjacent room wall or furniture. If the carcass rear wall is > 555 mm from the worktop front, the Plug&Play adapter must be extended with a supplementary set from Miele., The removable drip tray and the cleaning flap must be accessible after installation., The cross-section of the vent opening must be at least 425 cm²., , x Dimension by which the worktop depth is greater than 600 mm.

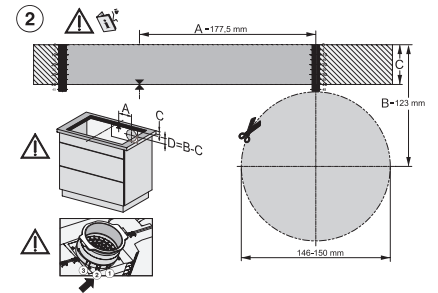


KMDA7272FL/FR, KMDA7473FL/FR – Installation variant 2 Basis – drawing

1) DFK-AK 90, 2) DFK-R 1000, 3) DFK-BV 90



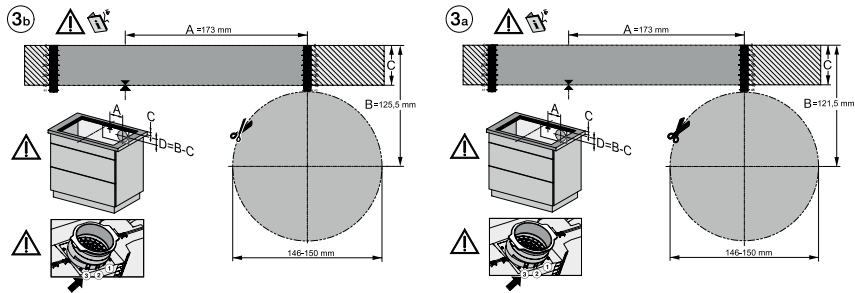
KMDA7272FL, KMDA7473FL – flush installation, drilling template, Installation depth 20 cm, Installation drawing



KMDA7272FL/FR, KMDA7473FL/FR – surface installation, drilling template, Installation drawing

KMDA 7473 FL-U Silence

Induction hob with integrated vapour extraction
with Silence motor, 4 cooking zones and 2 Flex zones for recirculation mode



KMDA7272FL, KMDA7473FL – flush installation, drilling template, Installation depth 21 cm, Installation drawing

KMDA7272FL/FR, KMDA7473FL/FR – surface installation, 21 cm, drilling template, Installation drawing