

LAMONA

At the heart of the kitchen

LAM2377

LAM2378

60cm / 80cm

Premium Canopy Cooker Hood



- Please read these installation instructions to ensure safe fitting and use of the appliance.
- The appliance should be fitted by a suitably competent and qualified person.
- Please keep these instructions in a safe place for future reference.
- Danger of suffocation: Keep packaging material away from children.

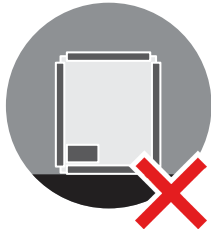
Installation Instructions

ISSUE v1.0 03022023

Register 
my appliance

www.howdens.com/appliance-registration

Warning & safety information



Ensure packaging & transit protectors have been removed before installing.



2 Person lift



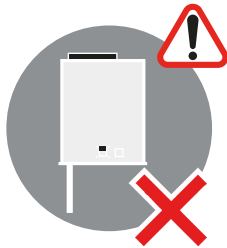
Beware of sharp metal edges. Use gloves when handling.



Be aware of the instability of the appliance prior to being fitted into position.



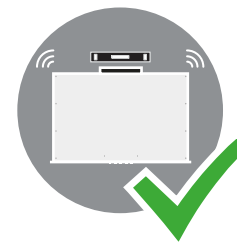
If the electricity cable is damaged, it must be repaired by a competent person.



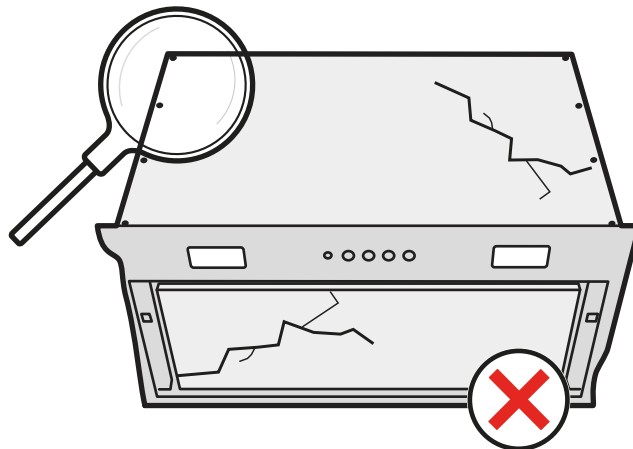
Ensure all covers are shut before installing.



Do not lift or position using the fascia. Thin sheet steel may bend.



Appliance must be securely installed and be level.



Check for visual damage. If damaged, do not use.
See guarantee: What to do if you need to report a problem.

Throughout this manual the following warning symbols are used.



Warning for electric shock



Warning for risk of fire



Warning for injury or property damage risk



Important / note for operating the system

Warning & Safety Information



 Please read these instructions carefully, observing the technical data and specifications. The manufacturer is not responsible if an incorrect installation and use causes injuries and/or damage. Please take appropriate care when installing. This appliance complies with all relevant E.U. Directives.

Correct application

- This appliance is for domestic extraction purposes only. It must not be used for other purposes. Commercial use will void the guarantee.
- The manufacturer shall not be liable for damage caused by improper use, installation or handling errors.

General safety

- Do not operate the product if the power cable is damaged. Call a qualified service agent.
- Do not carry out any repairs or modifications on the product. However you may remedy some problems that do not require any repairs or modifications. See page 14 and the trouble shooting section of the user instructions.
- Never wash down the product with excessive water as there is risk of electric shock.
- The appliance must be disconnected from the mains during installation, maintenance, cleaning and repair procedures.
- Repair procedures must always be performed by qualified service agents. The manufacturer shall not be held responsible for damages arising from procedures carried out by unauthorised persons. This may void the warranty.
- Do not trap the mains cable and do not route it over surfaces which may become hot. The cable insulation may melt and cause a fire as a result of a short circuit.
- Do not look directly into the lamps through optical devices - binoculars, magnifying glasses etc.
- The appliance must be installed by a person in accordance with the regulations in force, otherwise the guarantee may become void.

Safety for children and vulnerable people

- Electrical products can be dangerous to children. Keep children away from the product when it is operating and do not allow them to play with or near the appliance.
- The packaging materials will be dangerous for children. Keep the packaging materials away from children.

Safety when working with electricity

- In case of any damage, switch off the product and disconnect it from the mains. To do this, turn off the fuse at the fuse box.
- Make sure the fuse rating is compatible with the product.



Electrical connection

- The appliance must be connected to fixed wiring via the use of a double pole switched, fused spur outlet with at least 3mm contact separation. The isolation switch must be accessible after installation.
- Before connecting this appliance, ensure that the connection data on the data plate (fuse rating, voltage and frequency) match the mains electricity supply. If in any doubt, consult a qualified electrician.
- Technical specification and compatible consumables can be found on page 17.

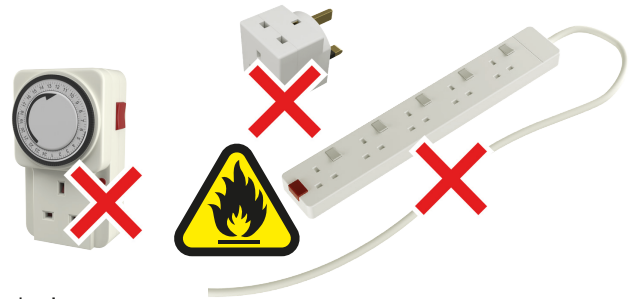
Reliable and safe operation of this appliance can only be assured if it has been connected to the mains electricity supply.

- **WARNING:** This appliance must be earthed.
- The electrical connection must comply with current local and national safety regulations (BS 7671) in the UK.


If in any doubt, please have the wiring system of the building tested by a qualified electrician. **LAMONA cannot be held liable for the consequences of an inadequate earthing system (e.g. electric shock).**

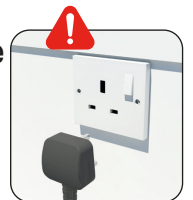
 Do not connect the appliance to the mains electricity supply via:

- A multi-socket adapter.
- Multiple connectors .
- An extension lead or similar.
- The appliance must not be used with energy saving plug devices.



The appliance will not function correctly and may overheat.

 **The electrical socket must be easily accessible after installation so that the machine can be disconnected from the electricity supply if necessary.**



In the event of a fault, the appliance must be isolated from the electrical supply.

 Do not touch the appliance when hands or feet are damp or wet.

 Avoid damaging the mains plug and cable. If a replacement is required, contact a **LAMONA** authorised service agent, or a suitably qualified person.




Do not power on until correctly installed

Operating voltage: 220 - 240V, 50/60Hz Single Phase.

Fuse rating : 3A.


Caring for the environment

Disposal of the packing material

 The environmentally friendly recyclable packaging is designed to protect the appliance from damage during transportation. All packaging materials should be recycled. Recycling reduces the use of raw materials in the manufacturing process and also reduces the amount of waste in landfill sites.

Packaging of this appliance is recyclable and may include:

- Cardboard.
- Paper.
- Polythene foil (PE).
- CFC-free polystyrene (PS hard foam).
- Polypropylene tape (PP).

 This appliance carries the symbol of a crossed-out dustbin to state that segregated processing is compulsory to avoid any negative effects on the environment and public health. At the end of its life it must be disposed of at a special refuse centre run by your local authority or dealer.

Segregated processing enables the recovery of the materials used in the production of this appliance, thus saving considerably in the terms of raw materials and energy.

Installation overview guide

Installation considerationsp.7

Methods of extraction.....p.7

Extraction via exhaust ducting (vented outside)p.7

Extraction via recirculation (vented internally)p.7

Componentsp.8

Part identificationp.8

Installing the cooker hood- important notes.....p.9

Product dimensions & minimum clearances...p.10

External dimensionsp.10

Minimum dimensionsp.10

Cabinet preparations for recirculation and externally ductedp.11

Strengthen cabinet using cut-off materialp.11

Installing the cooker hoodp.12

Fascia alignment.....p.13

Connecting ductingp.14

Extraction trouble shootingp.14

Installing carbon filtersp.15

Electrical connections.....p.16

Technical specifications.....p.17



Declaration of conformity

We declare that our products meet the applicable European Directives, Decisions and Regulations and the requirements listed in the standards referenced.

EC Regulation 1275/2008 for standby.
UK / EU.

Installation considerations

Methods of extraction

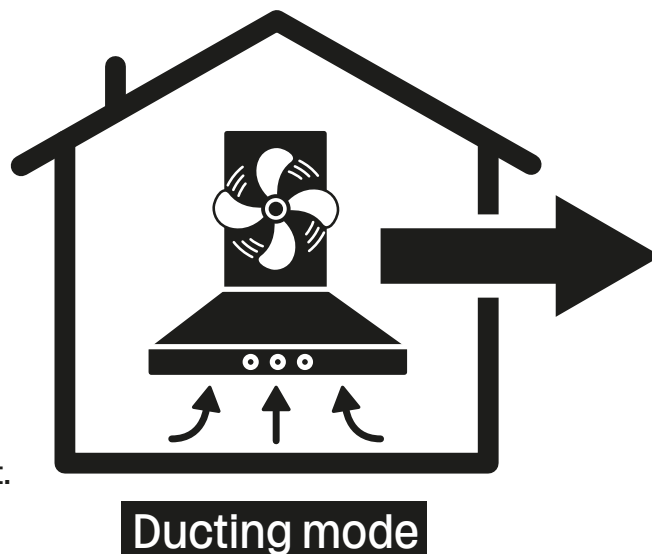
The very best method of clearing the kitchen of unwanted odours is by connecting the appliance to an exhaust duct and venting to the outside atmosphere via the ceiling or an exterior wall. Suitable ducting kits may be purchased from your local Howdens depot or online.

You do not need carbon filters when using the external ducting mode

Extraction via exhaust ducting (vented outside) - no carbon filters required

- Ducting kits supplied separately.
- Never use the hood in areas where devices with exhaust pipes connected to the outside are already operating unless perfect ventilation can be guaranteed.
- There must be adequate ventilation in the room when the cooker hood is used at the same time as an appliance burning gas or other fuels.
- Connect the external ducting kit to the outlet of the cooker hood.

Carbon filters are not required if the hood is to be ducted out.



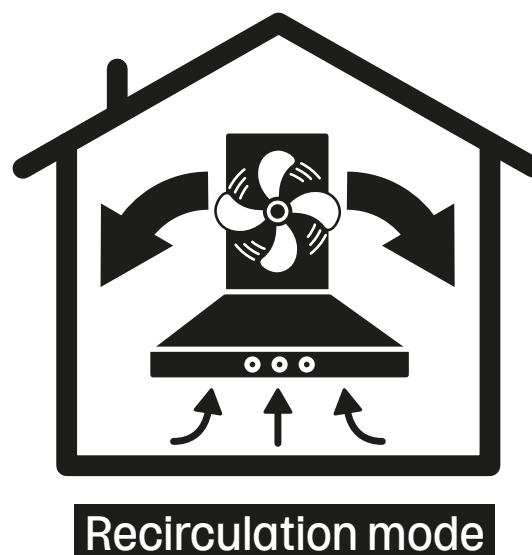
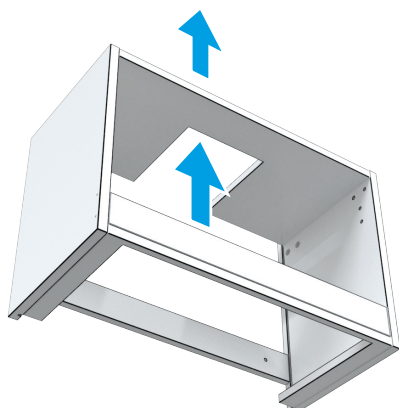
Extraction via recirculation (vented internally) - carbon filters required

For extraction via recirculation, install carbon filters.

These can be ordered separately from your local Howdens depot or online. Part No. LAM2004.

Ensure power is switched off to the cooker hood before installing / changing the carbon filters.

Ensure that air can escape the cabinet.

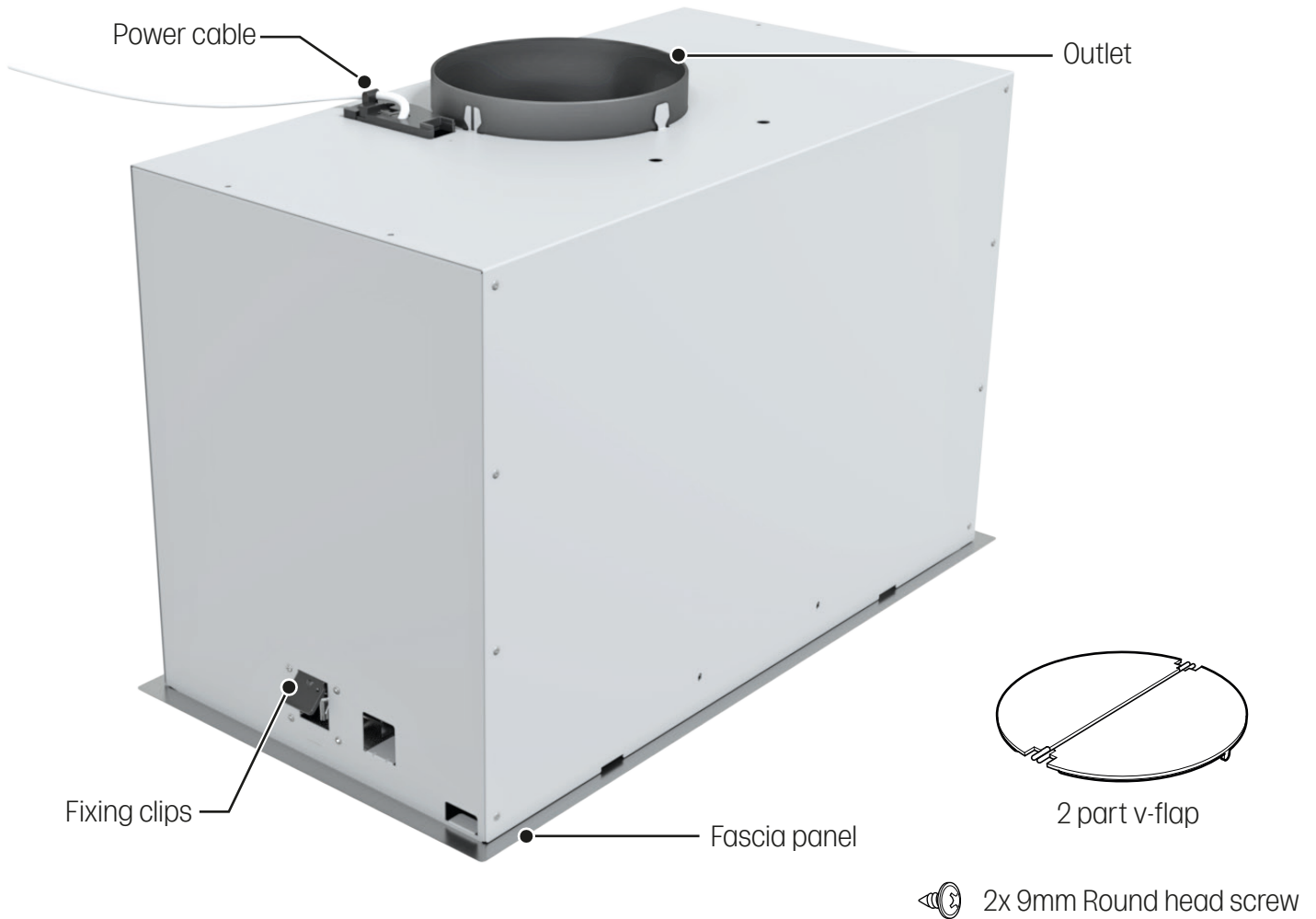


See page 15 for carbon filter installation procedure.


Components

Part identification

- On opening the packaging, remove and identify each component part.
- Carefully place each part on a clean, scratch-free surface.
- Do not scratch the finished surfaces.



 Use only screws and small parts in support of the cooker hood.


 Failure to install screws / fixings in accordance with these instructions may result in electric shock.

Installing the cooker hood - Important notes

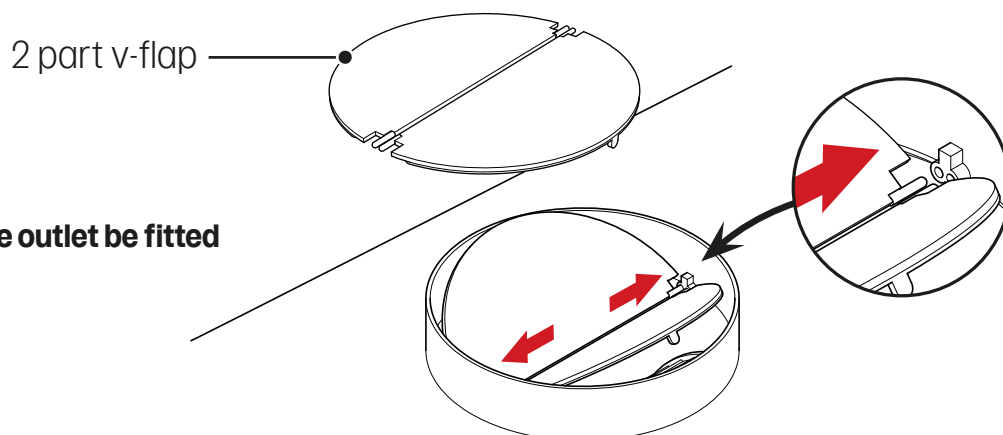
This instruction must be strictly adhered to. Failure to comply could result in overheating and serious damage to your appliance. It is recommended that the installation is carried out by 2 people.

 Before drilling or chiselling the wall or ceiling, check for pipes and power cables.

- If ducting externally, ensure the ducting tube is kept as short as possible and with a maximum number of 3 bends to permit the smoothest airflow. (Maximum length, 3 meters).
- Ducted air must not be discharged into a flue which is used for exhausting fumes from appliances supplied with energy other than electricity, e.g. gas boilers, wood burners, open fires etc.
- Check that requirements of the local authorities are adhered to concerning the discharge of exhaust air.
- Ensure adequate room ventilation is provided when the cooker hood is used in the same room as appliances supplied with energy other than electricity.

 **Never duct into a hot airflow such as a central heating duct.**

 **We strongly advise that the outlet be fitted with a non return v-flap.**



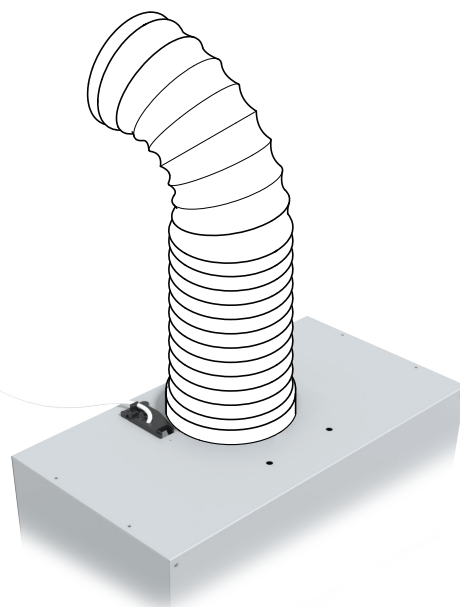
- Ø150mm optimal (outlet size).
- **Only fit a reducer if smaller ducting is necessary.**
- A reducer and smaller ducting will reduce performance and create more noise. Reducer included in the howdens ducting kits.

 **Tips for optimal air extraction:**

- Keep duct-work short and straight.
- Do not reduce the size or diameter of the duct.
- Keep duct-work taut to minimise pressure loss.

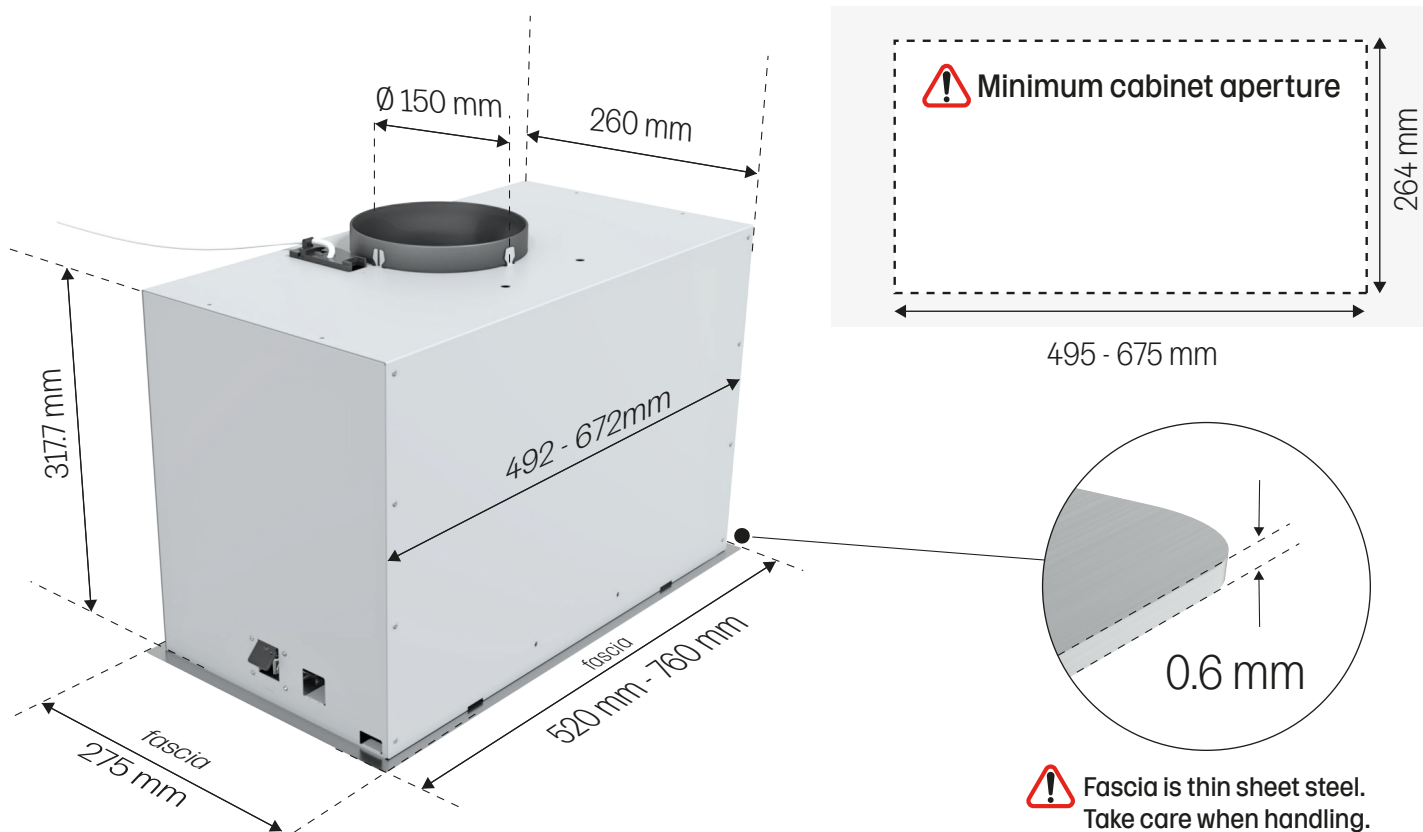


The extractor fills the half height cabinets on top of the cabinets. Ducting needs to be considered on top of the cabinet. A full height cabinet could be used to hide this.



Product dimensions & minimum clearances

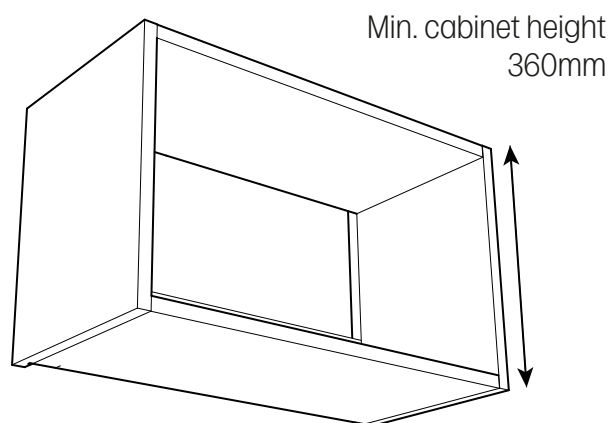
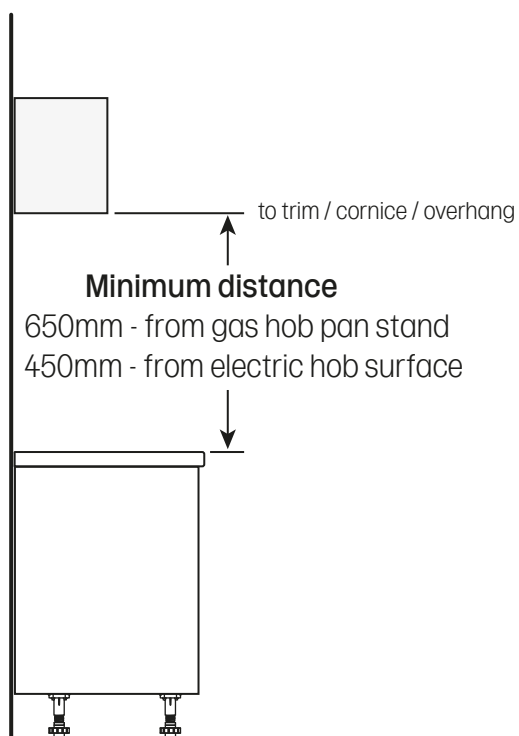
External dimensions



Minimum dimensions

Please check these minimum distances. These are necessary for correct installation of the appliance.

Minimum distance above hob.

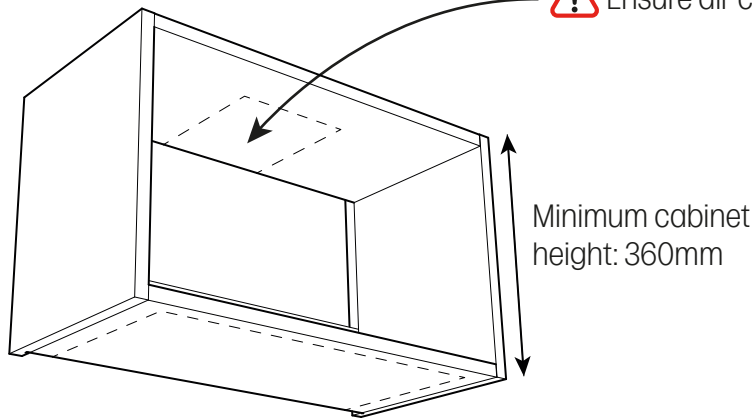


! It is recommended that the back panel is removed to stop vibrations.

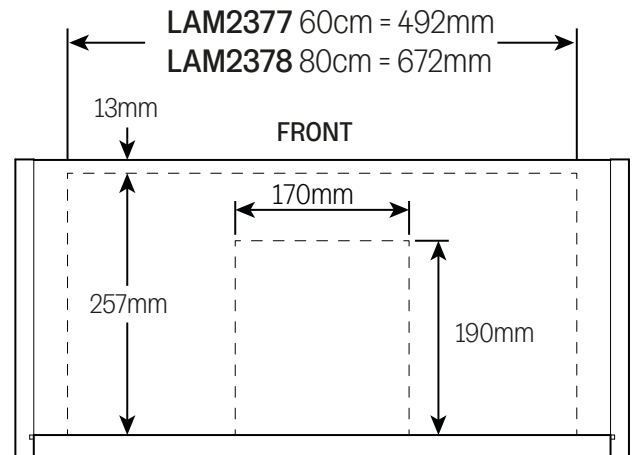
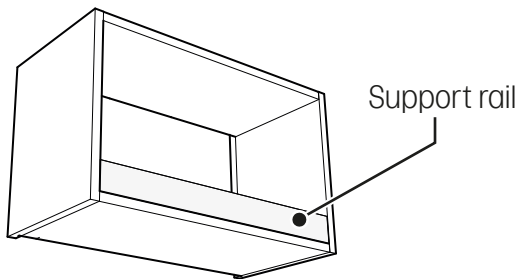
Cabinet preparations for recirculation and externally ducted

1

⚠ Ensure air can escape the cabinet

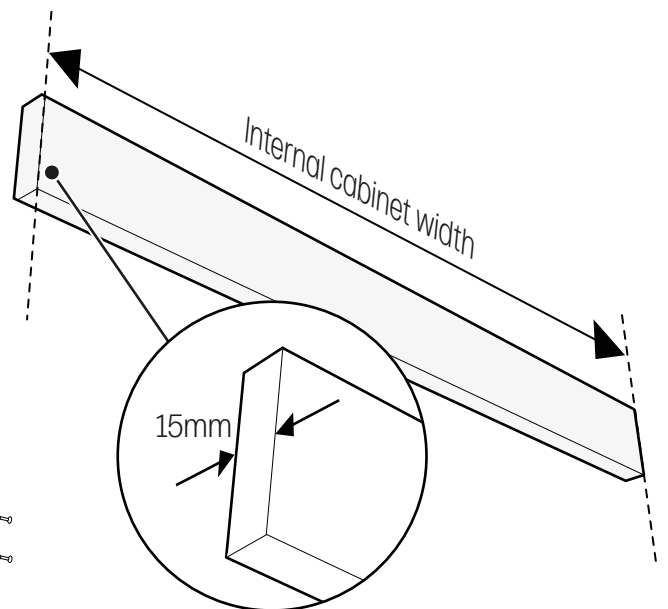
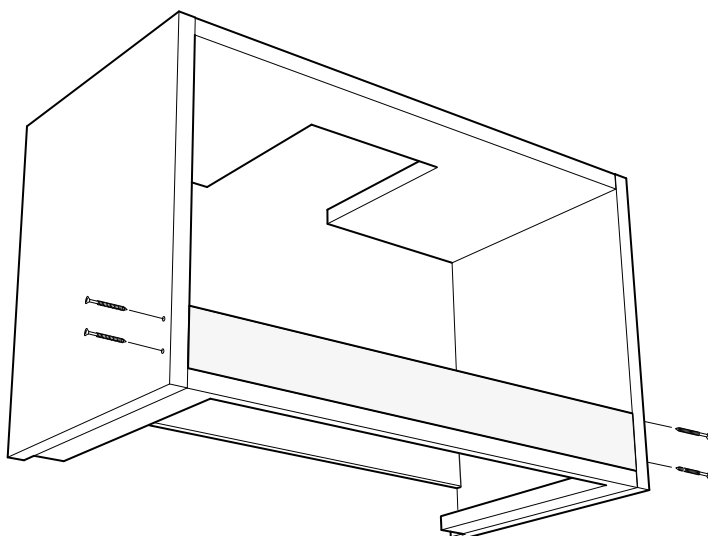


⚠ For additional rigidity, fit a support rail first BEFORE cutting.



⚠ Strengthen cabinet using cut-off material to make support rail

2 Cut and fit cooker hood cabinet support rail.



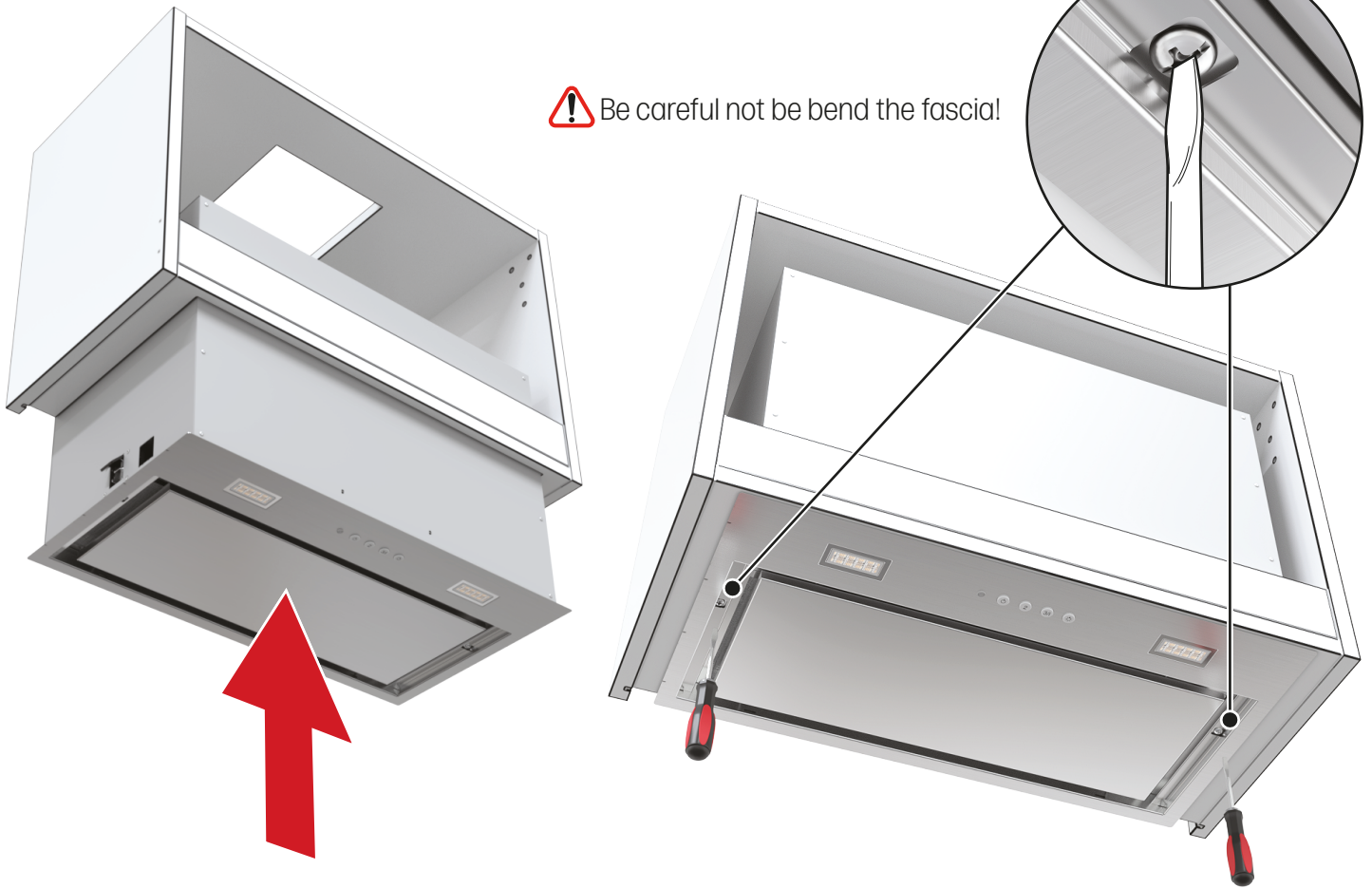
⚠ Any cut edges should be sealed with a water proof varnish or PVA.



4x 50mm Countersunk screw

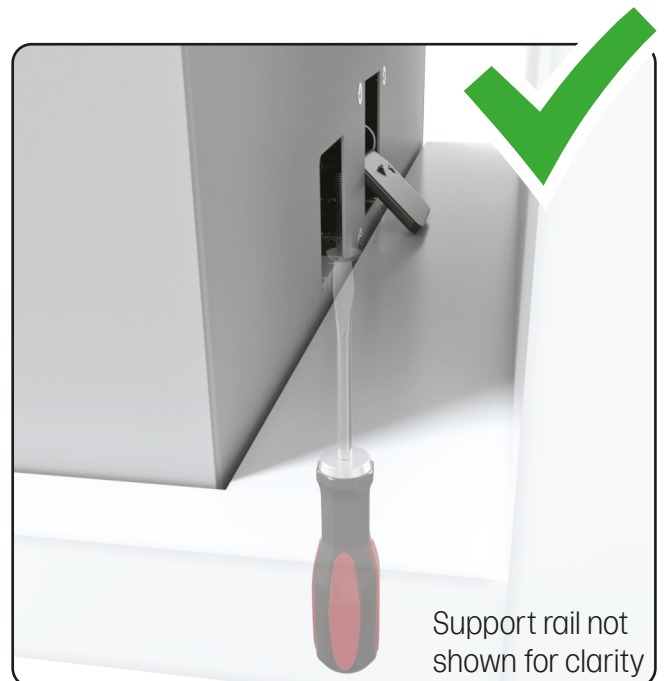
Installing the cooker hood

- ① Fit the cooker hood body into cooker hood cabinet, using the two fixing clips.




- ② Using a screwdriver, adjust the two fixing clips as shown below.

⚠ Ensure the fixing clips snap into place.

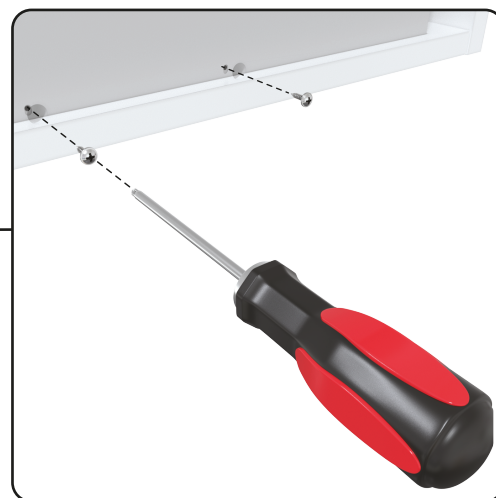
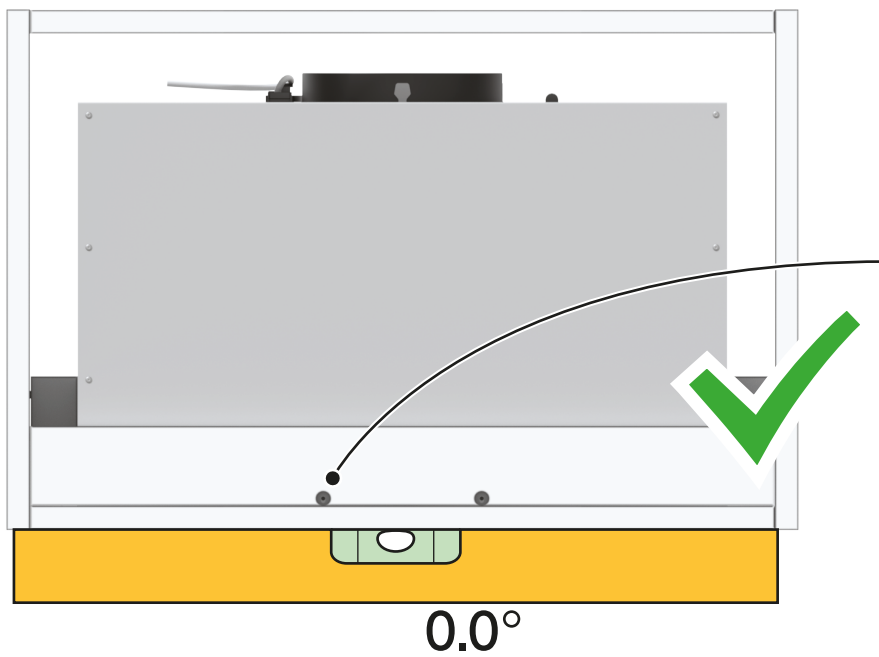
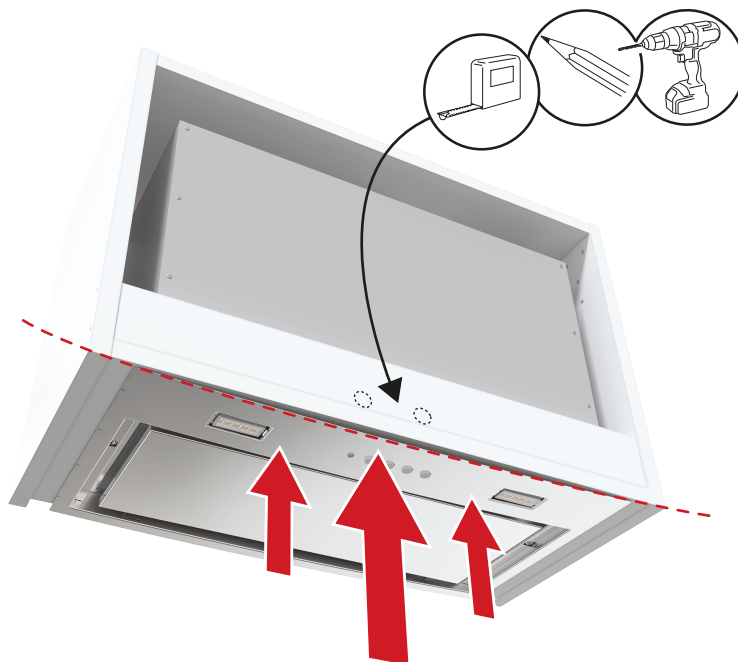


Fascia alignment

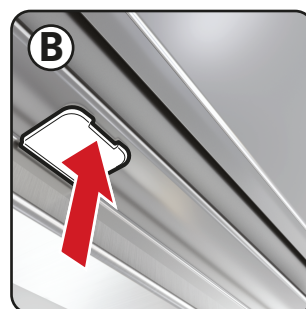
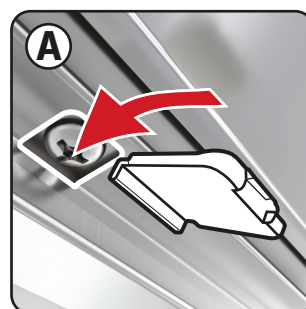
③ Straighten any bowing in the fascia.

 Be careful not to bend the fascia.

- Measure and drill 2 fixing holes in the support rail for 2 fixing screws.
- Apply gentle pressure to the underside of the fascia until level, then screw fix in place.

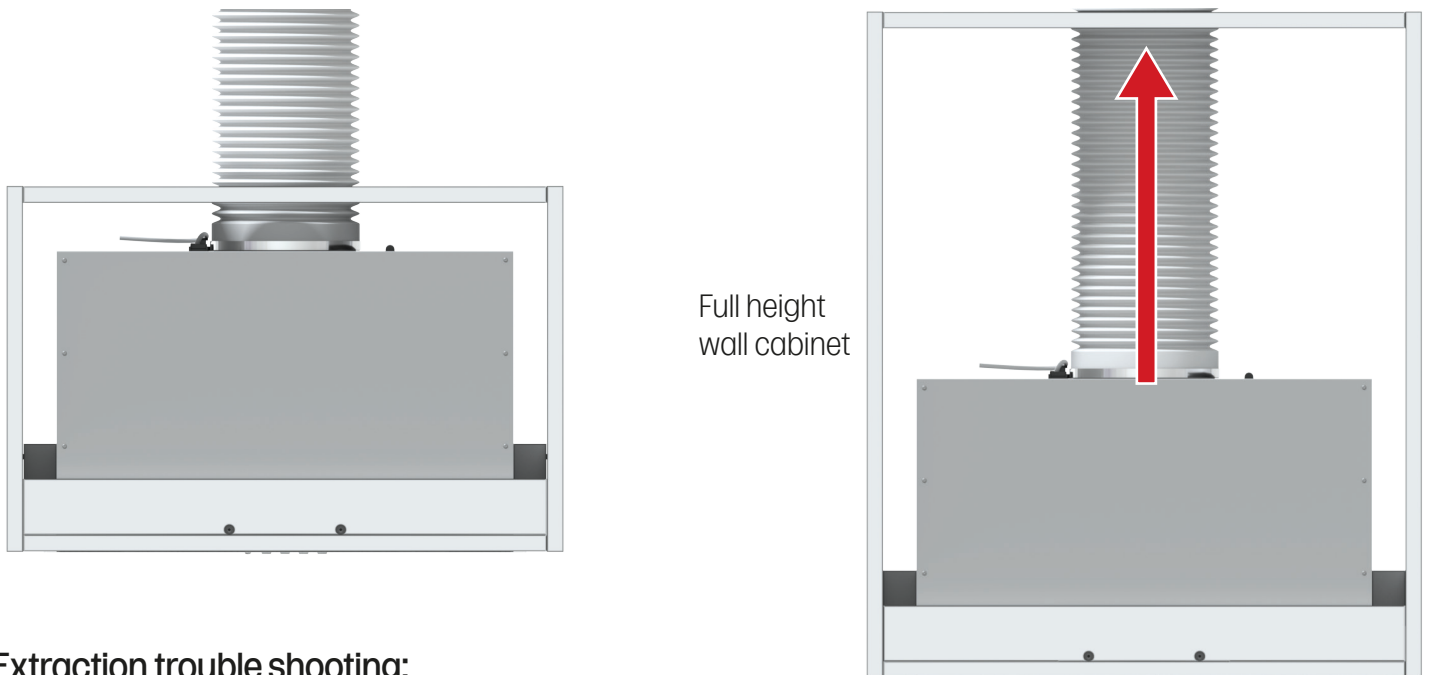


④ Insert screw covers.



Connecting ducting

- ⑤ When fitting into a taller cabinet, fit ducting from the outlet to the top of the cabinet.



Extraction trouble shooting:

- ⚠ Check that the grease filters and carbon filters (if vented internally) are fitted correctly**

Excessive noise:

Airflow noises in the extractor ducting have a stronger impact on noise levels than the cooker hood itself. To help with this please ensure the following are checked.

- The hood has the correct size ducting.
- There are no restrictions within the ducting or outlet.
- The minimum number of 90-degree bends have been used.
- The hood has been secured to the wall correctly.
- The cable or any building material hasn't been dropped into the fan area.
- In re-circulation mode, make sure the flue vents / grilles are not covered.
- For canopy cooker hoods, make sure there is a hole in the cabinet for the air to escape and that there is no shelf directly above the outlet.

Poor Extraction:

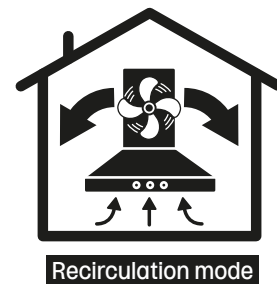
The effectiveness of the cooker hood often comes from the relationship between the cooker hood and the exhaust duct components. To help with this, make sure all the following are checked.

- The hood has the correct size ducting.
- There are no restrictions within the ducting or outlet.
- The minimum number of 90-degree bends have been used.
- Ducting doesn't exceed recommended length run for the model installed.
- The hood should be switched on 10 minutes before and after cooking.

Installing the carbon filters - supplied separately

 Carbon filters are only required for recirculation mode.

 Before attempting to change or fit a carbon filter, ensure power to the cooker hood is switched off.

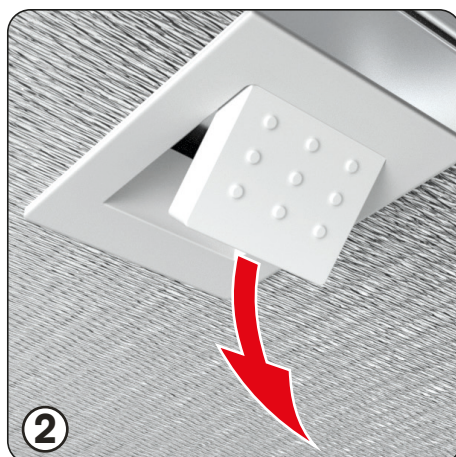


To gain access to the carbon filters, first remove the grease filter(s).

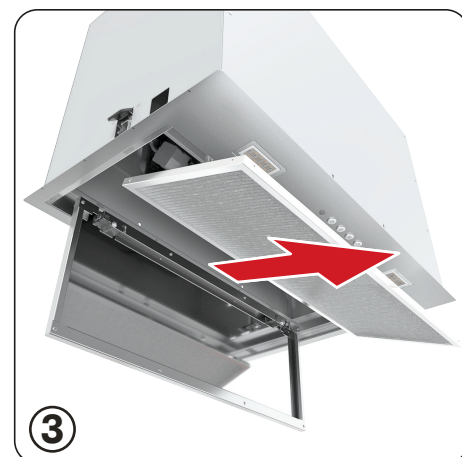
Remove the grease filter(s):



Open cover




Pull down latch to unlock




Remove grease filter

 Install by reversing the process.

 DO NOT operate the cooker hood without the grease filters installed.

Install the carbon filters

 Carbon filter does not fit to the outlet on top of the product!

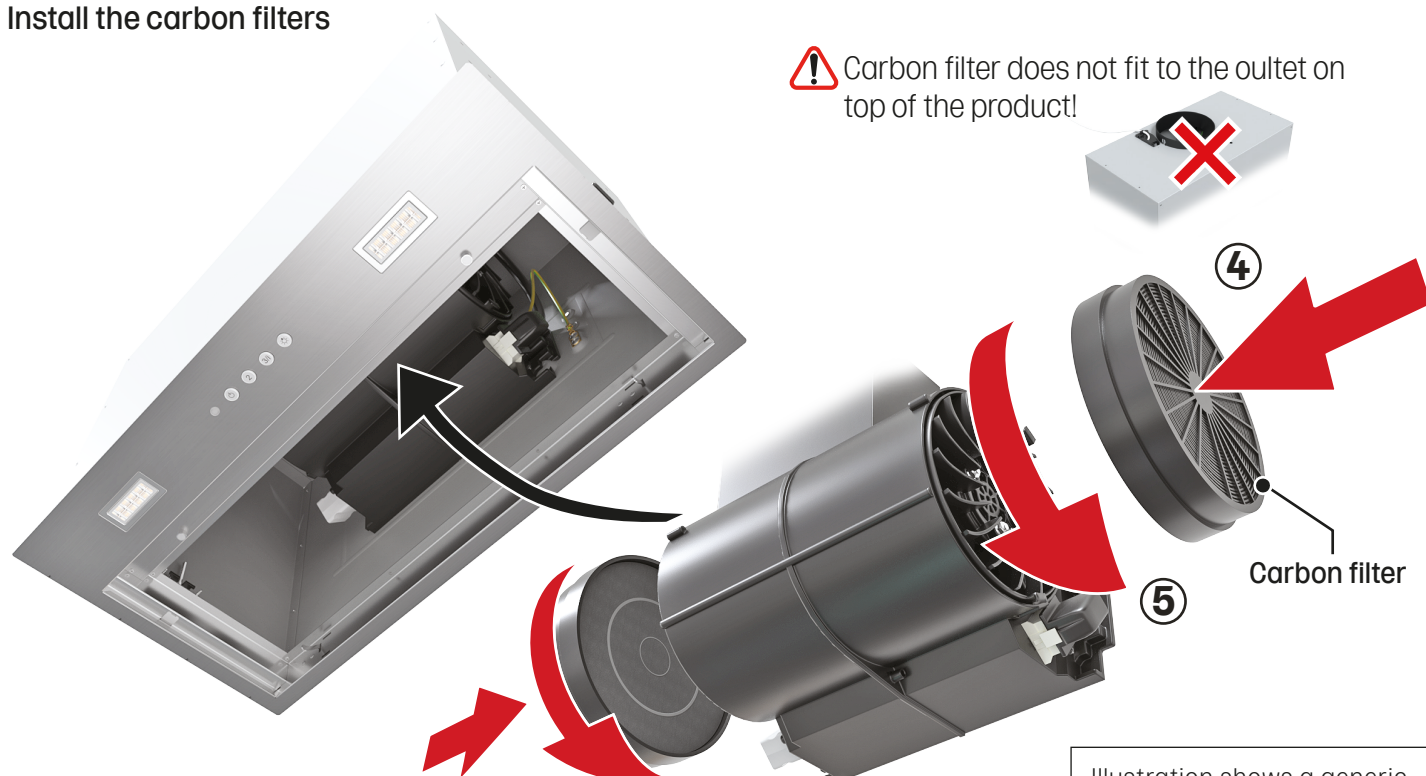




Illustration shows a generic application, other installations are similar.

Refit the grease filters, then connect the power supply.


Electrical connections

 **Important:** Ensure that the electricity supply is switched off before connecting.

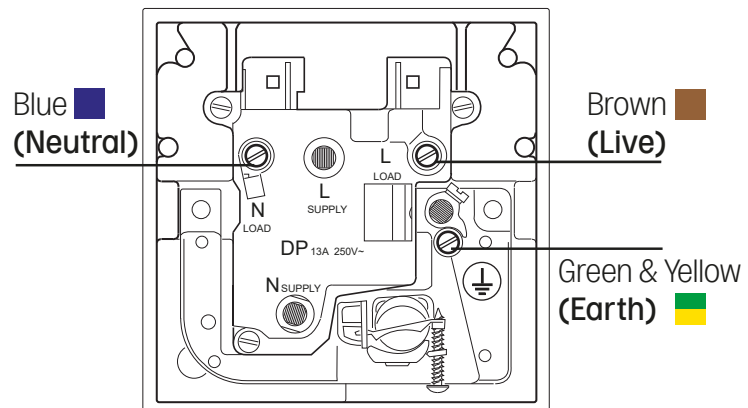
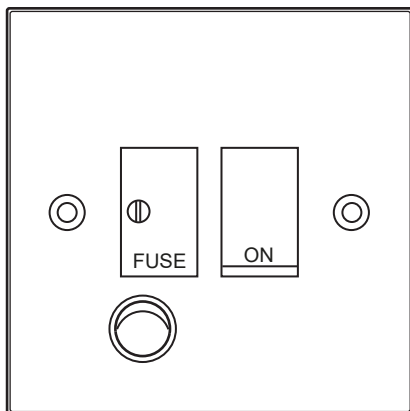
 When fitting in **recirculation mode** (with carbon filters), ensure the cable is shortened and securely held in place; or a cable grid is fitted to prevent the loose cable from falling back into the motor cavity.

Your appliance must be connected to fixed wiring via the use of a double pole switched fused spur outlet with at least 3mm contact separation, the isolation switch must be accessible after installation. (See technical data for fuse rating).




The appliance should be connected by a suitably qualified person. The product must be installed in accordance with all local regulations.


 The terminology DOUBLE POLE +/- means that both the live and neutral supplies are switched and disconnected at the same time.



- The terminations labelled **SUPPLY** are the connections for the internal house wiring.
- The terminations labelled **LOAD** are for connection to the appliance.





IMPORTANT: The wires in the mains lead are coloured in accordance with the following code:

Blue - Neutral	
Brown - Live	
Green / Yellow - Earth	

 As the colours of the wires in the mains lead of this appliance may not correspond with the coloured markings identifying the terminals in your spur box, proceed as follows:

The blue  wire must be connected to the terminal which is marked with the letter '**N**' or coloured **BLACK** .

The brown  wire must be connected to the terminal marked with the letter '**L**' or coloured **RED** .

The green and Yellow wire  must be connected to the terminal which is marked with the letter '**E**' or .

Technical specifications

TECHNICAL INFORMATION: The data plate on the side of the appliance states the total load when connected, the required voltage and frequency.

General	
Total power consumption	252 W
Fuse	3 Amp
Voltage / Frequency	220-240 V 50 Hz
Cable type / section	3 core 0.75mm ²
Cable length	1.5 Metres
Lamps	2 x 1.5 W LED 6500 K
Lighting efficiency class	A
Carbon filter	LAM2004

Where to find the model and serial number on the cooker hood.

Inside the body of the cooker hood

Notes

Notes



Product serial number
(Place sticker here)

LAMONA



Product information correct at the time of publication in April 2021.
The company has a policy of continuous product development and reserves the right to change any products and specifications given in this manual. Subject to the Terms and Conditions of Trading, a copy of the Howdens Terms and Conditions is available upon request.
Copyright © 2021 Howden Joinery Ltd. All rights reserved.

Howden Joinery Ltd.
Thorpe Road, Howden, East Yorkshire. DN14 7PA England
Howdens Cuisines SAS. Z.A. du Bois Rigault Nord,
1 Rue Calmette, 62880 Vendin-le-Vieil, Cedex, France