

M 7240 TC

Built-in microwave oven

in a design that is the perfect complement with controls on the top.



- Clear-text display with sensor controls – DirectSensor S
- Perfect defrosting and cooking – Automatic programmes
- Plenty of room – 46 l oven compartment volume and 40 cm turntable
- Very powerful microwave – 900 W
- Popcorn at the touch of a button – Popcorn button

EAN: 4002516103356 / Material number: 11093950 / Old Material Number: 24724040GB

Construction type and design	
Built-in microwave oven	•
PureLine	•
TopControl	•
Appliance Colour	Stainless steel/Clean Steel
Convenience features	
Keeping warm	•
Operating modes	
Automatic programmes	•
Microwave solo operation	•
User convenience	
Display	DirectSensor S
SoftOpen	•
SoftClose	•
MultiLingua	•
Popcorn function	•
Timer functions	•
Time of day display	•
Minute minder	•
Programmable end of cooking duration	•
Programmable cooking duration	•
Quick microwave	•
Individual settings	•
Efficiency and sustainability	
Night dimming	•
Cleaning convenience	
Stainless steel/CleanSteel finish	•
Stainless steel oven compartment	•
CleanGlass door	•
Safety	
System lock	•
Safety switch-off	•
Safety lock "Door" warning	•
Technical data	
Oven compartment volume in l	46
Door hinge	Bottom
Oven light	1 LED spot
Oven interior height in cm	23.2
Turntable diameter in cm	40.6
Electronically controlled microwave power	•
Microwave power levels in W	
Maximum microwave power in W	900
Niche width min. in mm	562
Niche width max. in mm	568
Niche height min. in mm	450
Niche height max. in mm	452
Niche depth in mm	550
Appliance width in mm	595
Appliance height in mm	456
Appliance depth in mm	560

M 7240 TC

Built-in microwave oven

in a design that is the perfect complement with controls on the top.



EAN: 4002516103356 / Material number: 11093950 / Old Material Number: 24724040GB

Weight in kg	28.3
Niche-independent venting	•
Total rated load in kW	1.6
Voltage in V	220-240
Frequency in Hz	50
Number of phases	1
Fuse rating in A	13
Mains cable with plug	•
Length of supply lead in m	2.10
Replacing lamps	Kundendienst

Available display languages

Available display languages via MultiLingua

bahasa malaysia, dansk, deutsch, english, español, français, hrvatski, italiano, magyar, nederlands, norsk, polski, portugês, русский, română, slovenčina, slovenščina, srpski, suomi, svenska, türkçe, українська, čeština, ελληνικά,

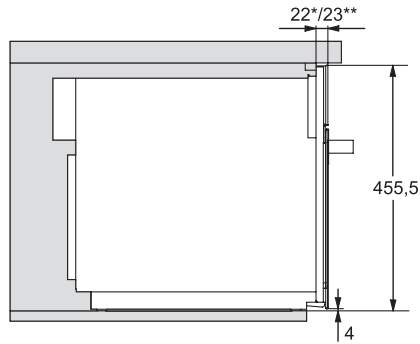
M 7240 TC

Built-in microwave oven

in a design that is the perfect complement with controls on the top.



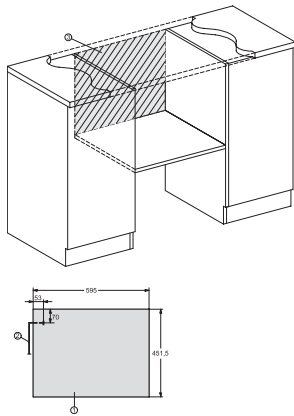
M7140TC, M724x, installation drawings



M7140TC, M724xTC, installation drawing

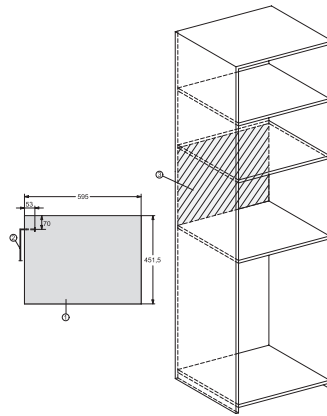


M7140TC, M724xTC, installation drawing



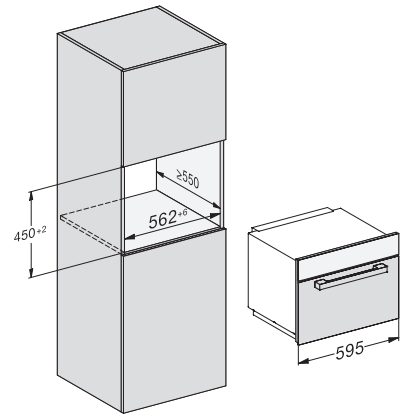
M7140TC, M724x, installation drawings

1) Front view, 2) Mains connection cable L=1,600 mm, 3)
No connection in this area



M7140TC, M724x, installation drawings

1) Front view, 2) Mains connection cable L=1,600 mm, 3)
No connection in this area



M7140TC, M724x, installation drawings