

RF59C70IES9/EU French Style Fridge Freezer with Wi-Fi Embedded - Silver



Feature	In this product	Description
Family Hub™		Keeping your food fresh is just the start. Shop for food, organise your family's schedule, even see who's at your door**. These smart fridges are the centre of family life that's why we call them the Family Hub™.
Food Management		Always know what's inside your fridge with built in cameras that link to your phone*. Not only that, but you can easily monitor and order groceries, cut food waste by tagging expiry dates and discover recipes to use food up.
Entertainment		Bring your kitchen to life with your favourite TV show or the latest tunes.
Smart Home Control		Control thousands of smart home products from leading brands with your voice or just a touch of the screen, with SmartThings*. Dim the lights, turn up the thermostat and even monitor up to six cameras, all from your Family Hub.
Family		From sharing shopping lists to coordinating schedules, this fridge keeps your family connected*.
Meal Planner		Manage your food, reduce waste and shop economically, while enjoying the meals you love. See inside the fridge on the home screen or on your smartphone, anytime, anywhere*. It also provides recipes or suggests meals, based on your preferences. And you can easily add items to a shopping list with a touch or voice command.
Family Board		Easily share your family's best moments on the fridge screen with news, messages, photos and videos on the Family Board. Simply upload pictures from your phone* and use the fridge screen to add stickers, draw pictures or notes, even add web links or a music player.
View Inside		Wondering what to make for dinner while on your way home, but unsure what's in the fridge? Now you can see exactly what you have from your phone, anytime, anywhere*. The View Inside internal cameras** show what food you have and automatically tag food expiration dates so nothing goes to waste.
SpaceMax™	✓	Now you can get the best of both worlds with SpaceMax™. Thin walls mean more space for food storage on the inside, while the outside size stays the same.
Twin Cooling Plus™		Wouldn't it be good if all your food in the fridge stayed really fresh? Samsung Twin Cooling Plus™ does exactly that with a precise fridge temperature control.
Smart Conversion™		Storage jigsaw days are over. Convert your freezer into a fridge to store more fresh products as and when needed. It's that's simple.
Total No Frost	✓	Wouldn't finding the ice cream be that bit easier with a frost free fridge freezer? Total No Frost prevents ice build up, saving you the time and hassle of defrosting.
Plumbed Water & Ice	✓	Help yourself to chilled filtered water or a jug of ice without having to open the fridge.
Metal Cooling		With the beautiful, reflective Metal Cooling Interior, the fridge looks as good on the inside as it does on the outside.
Wine Shelf		Make better use of your fridge with a multi functional wine shelf. Keep your wine and champagne perfectly chilled with the extra wide wine rack, so you're always ready for a special toast. And if that's not your style, the wide, flat shelf is great for storing pizza or large plates too.
Seamless and Sleek Design	✓	In need of a modern fridge? Sleek and cool, with flat streamlined doors and a recessed handle, this unit will satisfy all your needs and keep things looking cool.
Precise Cooling		Precise Cooling minimises any temperature fluctuation and a Metal Cooling plate helps keep the fridge cool.
Easy access controls		Discover the Easy Access Controls with a simple LED display. Conveniently located inside the fridge, it's within easy reach so you can keep your food and drink at the optimum temperature.
Power Cool / Power Freeze	✓	Lost some cool air while stocking the fridge with your weekly shop? Top it up with a burst from Power Cool and keep your new food fresh.
Digital Inverter Technology	✓	The Digital Inverter Compressor monitors and adjusts temperature to keep it constantly perfect, making for a more energy efficient fridge.
5 Year Warranty	✓	Samsung freestanding Fridge Freezers are as durable as they are innovative. But just in case, we give you a 5 year warranty.

Key Specifications

Y = Yes
N = No

Product	RF59C701ES9/EU
Type	Freestanding
EAN	8806095215228
Warranty (Years)	5
Colour	Refined Inox
Gross Capacity (L)	649
Cooling Technology	All-Around Cooling
Net Product Width (mm)	912
Net Product Height (mm)	1779
Net Product Depth (mm)	723
SmartThing / WiFi	Y
Plumbed / Non-Plumbed	Plumbed

General Specifications

Net Product Weight (KG)	130
Box Width (mm)	972
Box Height (mm)	1925
Box Depth (mm)	776
Box Weight (KG)	139
No. of Doors	4
Fridge/Freezer Split	60/40
Door Hinge	Fixed
Reversible Door	N
Shelf Type	Tempered Glass
Hot Stamping	-
Rear panel Material	Flame Retardant Metal Back
Energy Consumption (kWh/YR)	362
Noise (dB)	36
Noise grade	C
Climate Class	SN-T
Family Hub™	N
Beverage Centre™	N
Food Showcase Door™	N
SpaceMax™	Y
Total No Frost	Y
Metal Cooling	N
Optimal Fresh +	N
Smart Conversion™	N
Cool Select +	N
Flex Crisper + (M+F)	N
Crisper + (F+V)	N

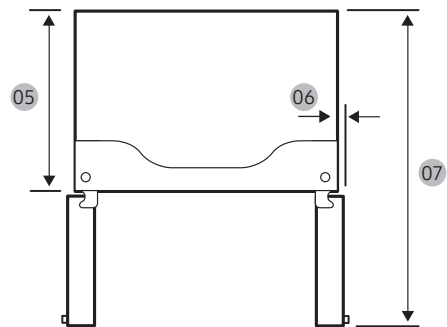
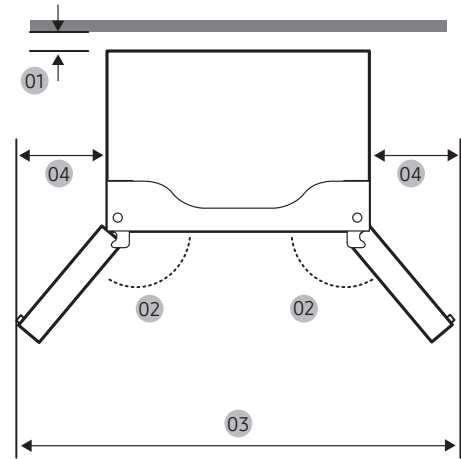
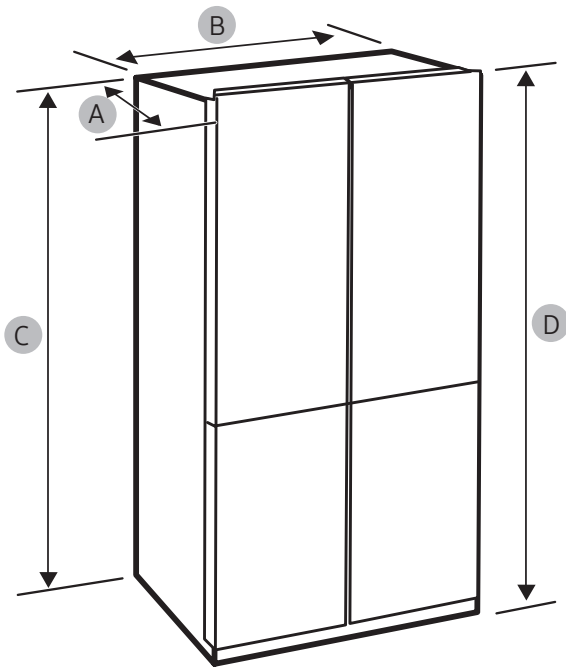
Humidity Fresh	Y
Café Dispenser	N
Power Cool	Y
Power Freeze	Y
Compressor	Digital Inverter
HomeBar	N
Holiday Mode	Y
Recess height	1804
Recess depth	748
Recess width	1012
Plug supplied	UK (3 Pin)
Plug amperage	3A
Hose length (Metres)	5
Fridge	-
Internal Temperature Range (°C)	1 ~ 7 °C
Storage capacity (L)	390
Refrigerant	R600a
Number of shelves	4
Number of Fruit & Vegetable Drawers	3
Number of door compartments	6
Adjustable Humidity Drawer	Y
Adjustable shelves	N
Interior light	Y
Interior light type	LED
Egg tray	Y
Wine rack	N
Dairy compartment	N
Freezer	-
Internal Temperature Range (°C)	-20 ~ 5 °C
Freezer Position	Bottom
Storage Capacity (L)	259
Freezer * Rating	4
Power failure safe-storage time (Hours)	-
Freezing capacity (kg/24H)	-
Number of storage Shelves	4
Number of storage Drawers	2
Number of storage Baskets	0
Number of door compartments	6
Interior light	Y
Interior light type	LED
Ice Producer	Y
Water dispenser	Y
Ice dispenser	Auto Ice Maker
Crushed ice dispenser	N
Cubed ice dispenser	Y

Technical Drawings

Installation

Clearance

See the following figures and tables for space requirements for installation.



Model	RF59C7*
Depth << A >>	723 mm
Width << B >>	912 mm
Height << C >>	1748 mm
Total height << D >>	1779 mm

Model	RF59C7*
01	Recommendation: greater than 50 mm
02	125°
03	1488 mm
04	290 mm
05	610 mm
06	54 mm
07	1093 mm

Energy Labels



SAMSUNG

RF59C701ES9



362 kWh/annum



259 L



390 L



AB**C**D

2019/2016



SAMSUNG

RF59C701ES9



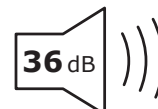
362 kWh/annum



259 L



390 L



AB**C**D

2019/2016