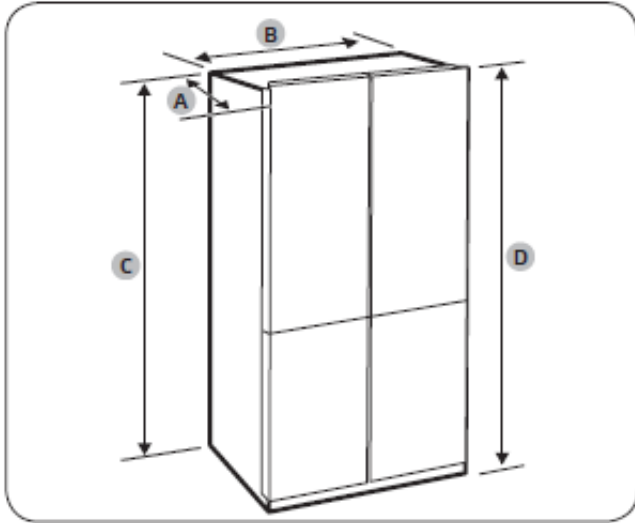


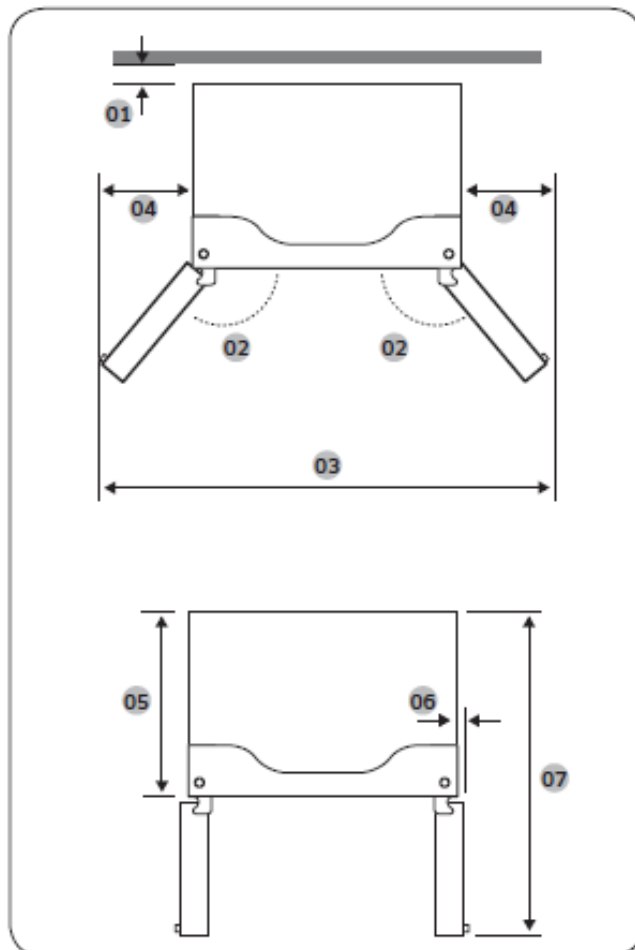
Installation

Clearance

See the following figures and tables for space requirements for installation.



Model	RF59C7*
Depth « A »	723 mm
Width « B »	912 mm
Height « C »	1 748 mm
Total height « D »	1 779 mm



Model	RF59C7*
01	Recommendation: greater than 50mm
02	125 °
03	1 488 mm
04	290 mm
05	610 mm
06	54 mm
07	1 093 mm