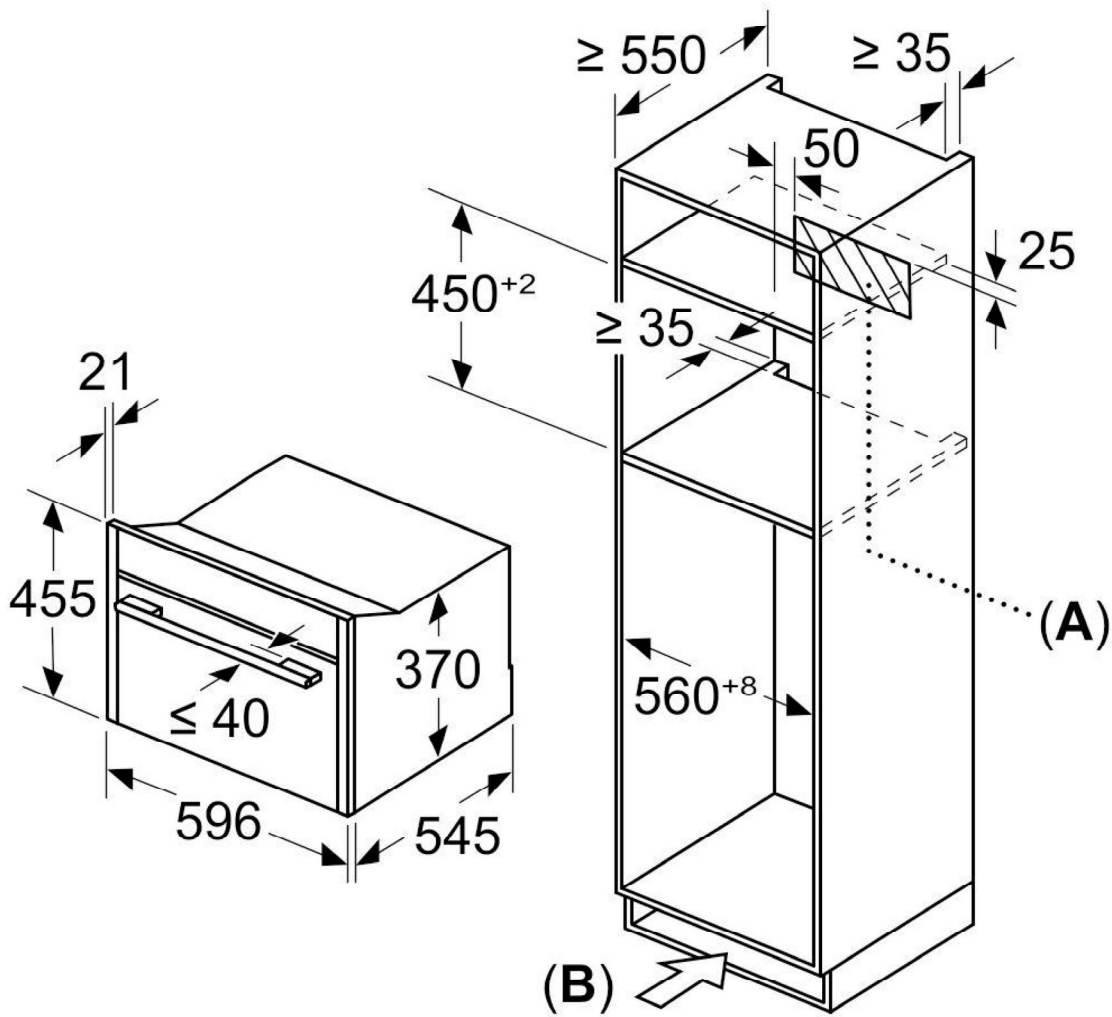


Measurements in mm



**A:** Space for appliance connection  
300 x 200 mm

**B:** Ventilation space in the base  $\geq$   
50 cm<sup>2</sup>