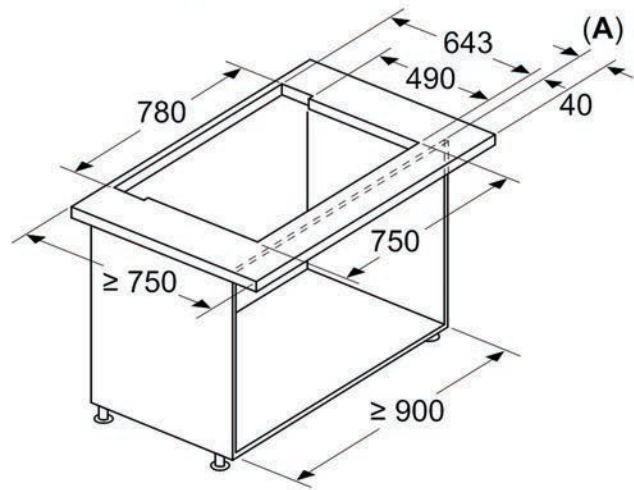


Measurements in mm  
**Combination with electric hob**  
**T68FS6RX2**  
**Seamless, top-mounted installation**



**(A):** Worktop overlap to kitchen cabinet

Combination with gas hob is not possible

To prevent power loss, observe the following:

- Do not install upper cabinets or open shelf elements above the appliance
- Left/right distance between appliance and wall/adjacent upper cabinet min. 500 mm
- Distance between appliance frame and wall min. 50 mm