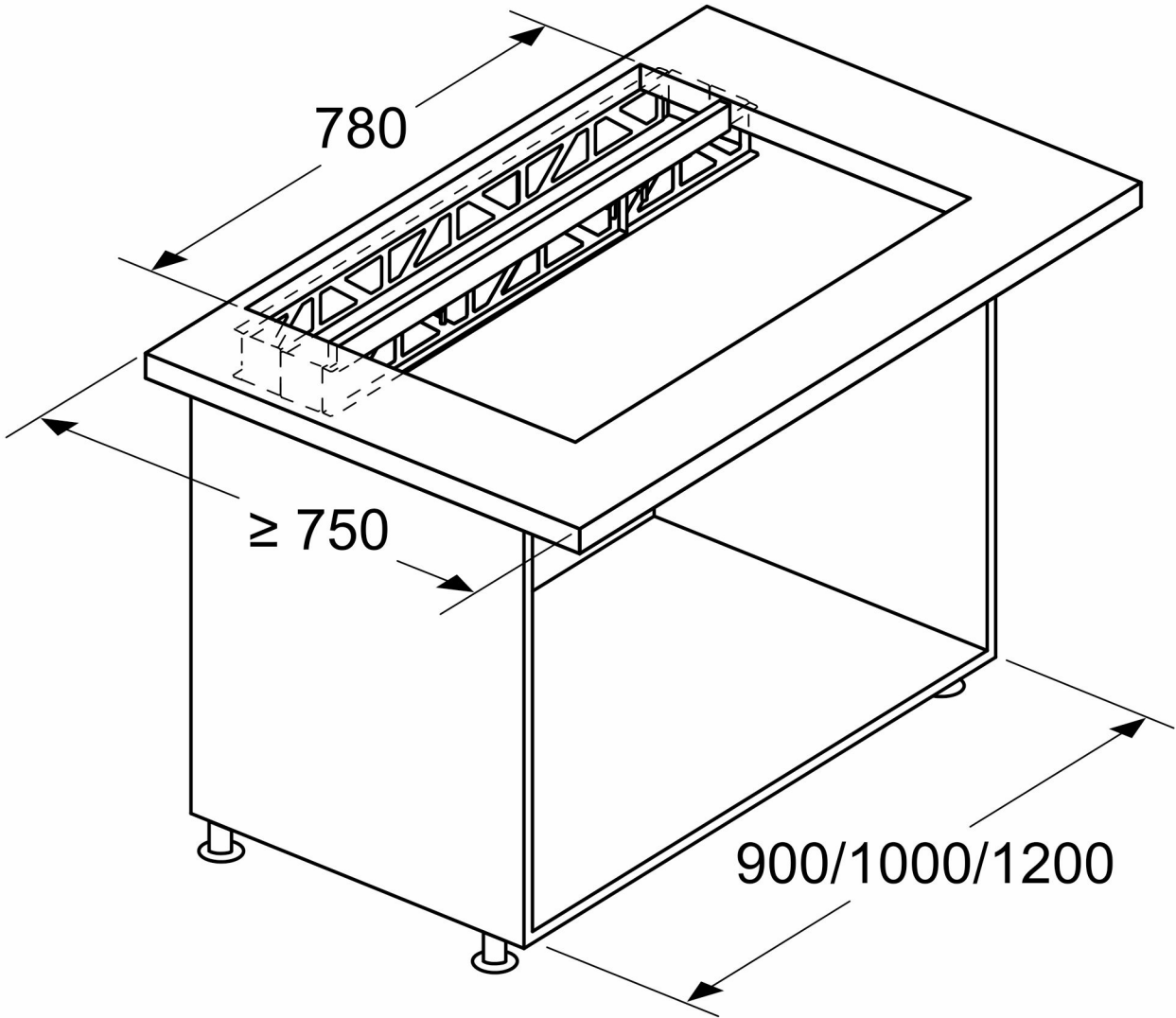


measurements in mm



780

$\geq 750$

900/1000/1200