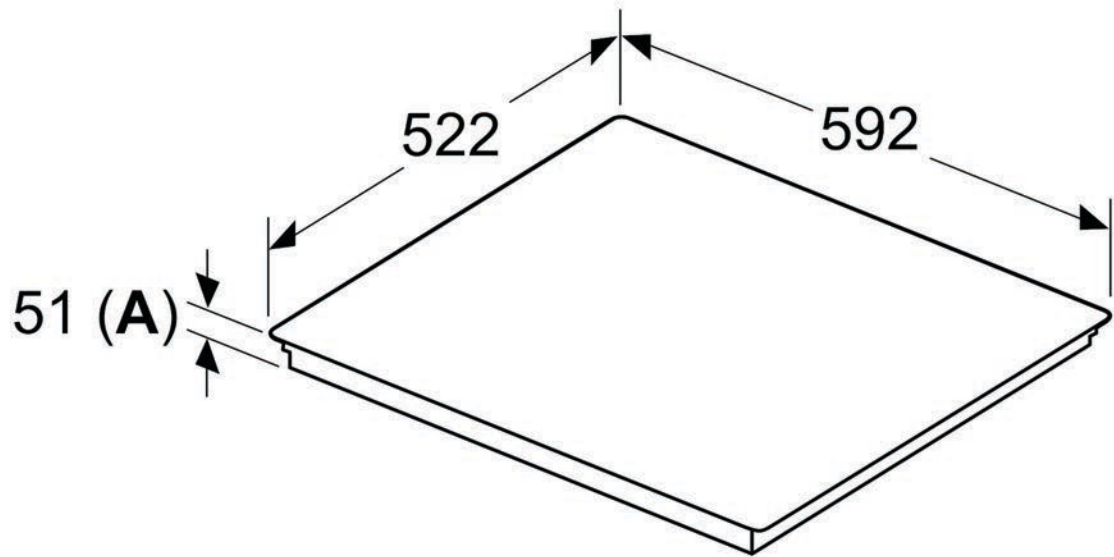


# Measurements in mm



**A:** Recessed depth