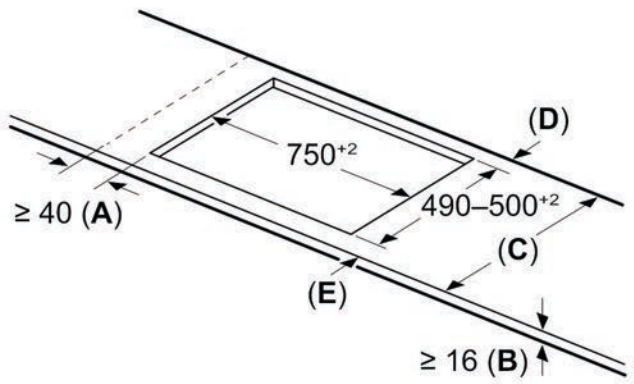


Measurements in mm



- A:** Min. distance from the hob cut-out to the wall
- B:** The clearance between the surface of the worktop and the top of the front of the oven must be 30 mm

See space requirements for the oven

The worktop into which the hob is installed must withstand loads of approx. 60 kg; suitable substructures must be used if required

C	D	E
585-600	50	$\geq 35$
> 600	$\geq 50$	$\geq 50$