

More freedom in the kitchen

The 6000 Bridge Extractor Hob combines an induction hob to fit a 60cm cabinet, with a powerful built-in extractor for optimal air flow. It also has a Bridge function, allowing you to combine two cooking zones into one for larger cookware.

Product Benefits & Features

The Bridge Extractor Hob. For greater kitchen freedom

The Bridge Extractor Hob combines an induction hob to fit a 60cm cabinet with a powerful built-in extractor for optimal airflow. The hob's Bridge function also allows you to combine two cooking zones into one for larger cookware.



The Bridge feature – cooking versatility with two zones

The convenient Bridge feature links two zones to create a larger cooking area. Both zones are automatically power aligned for seamless cooking performance.



4 Individual Zone Controls. Unlimited cooking options

4 Individual Zone Controls, with 9 power levels, allow you to individually control 4 different cooking areas and set separate timers for each. Other functions include power boost, active touch, child lock and automatic extractor control.

Long-Life Carbon Filter. Clean and re-use multiple times

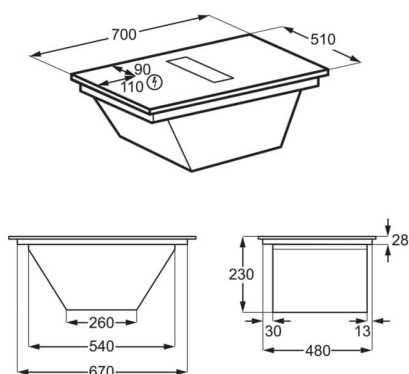
The Long-Life Carbon Filter is easy to clean, so your kitchen air stays fresh, and your fan runs at its best for longer. Filters can be loaded in the dishwasher for cleaning, easily refitted and regenerated up to 8 times for extended life.

Automatic Extractor Control. Adjusts as you cook

Automatic Extractor Control allows you to focus on what matters – cooking. The hob will automatically switch on and adjust the extraction level according to your cooking activities, keeping your kitchen fresh and hands free.

Product Specification

PSGBHH230DE0000A



PSGBHO230DE0000N

