

KM 7361 FL

Induction hob with onset controls

with 4 individual cooking zones at an attractive entry-level price



- Quick selection via numerical keybank – ComfortSelect
- 4 individual cooking zones in various sizes
- A width of 62 mm for surface-mounted or flush-fit installation
- Communication with the cooker hood – automatic Con@ctivity function

EAN: 4002516732990 / Material number: 12409510 / Old Material Number: 26736170GB

Heating type	
Heating type	Induction
Construction type	
Independent of cooker	•
Design	
Elegant glass ceramic surface	•
Flush	•
Ceramic surface colour	Black
Cooking zone details	
Number of cooking zones	4
Number of cooking areas	0
Maximum number of pans	4
1st cooking zone/cooking area	
Position	front left
Type	Dual-circuit ring
Size in mm	Ø 110-220
Max. Booster power rating in W	3000
Max. rating in W	2300
2nd cooking zone/cooking area	
Position	rear left
Type	Dual-circuit ring
Size in mm	Ø 90-160
Max. Booster power rating in W	1850
Max. rating in W	1400
3rd cooking zone/cooking area	
Position	rear right
Type	Dual-circuit ring
Size in mm	Ø 100-190
Max. Booster power rating in W	2100
Max. rating in W	1400
4th cooking zone/cooking area	
Position	front right
Type	Dual-circuit ring
Size in mm	Ø 100-190
Max. Booster power rating in W	2100
Max. rating in W	1400
User convenience	
Miele@home	•
Operation via sensor controls	ComfortSelect
Automatic function Con@ctivity	•
Pan and pan size recognition	•
Display colour	Yellow
Auto heat-up	•
Permanent pan recognition	•
Keeping warm	•
Stop & Go function	•
Recall function	•
Minute minder	•
Safety switch-off	•
Individual setting options (e.g. buzzers)	•

KM 7361 FL

Induction hob with onset controls

with 4 individual cooking zones at an attractive entry-level price



EAN: 4002516732990 / Material number: 12409510 / Old Material Number: 26736170GB

Efficiency and sustainability

Residual heat utilisation	•
Power rating in off mode in W	0.5
Power rating in standby mode in W	1.0
Power rating in networked standby in W	2.0
Time until automatic switch to off mode in min	20
Time until automatic switch to standby in min	20
Time until automatic switch to networked standby in min	20

Cleaning and care

Easy to clean ceramic glass	•
-----------------------------	---

Safety

Safety switch-off	•
Lock function	•
System lock	•
Integrated cooling fan	•
Overheating protection	•
Residual heat indicator	•

Technical data

Dimensions in mm (width)	620
Dimensions in mm (height)	53
Dimensions in mm (depth)	520
Cutout dimensions in mm (width) with surface-mounted installation	560
Casing height incl. connection box in mm	53
Cutout dimensions in mm (depth) with surface-mounted installation	490
Internal cutout dimensions in mm (width) with flush installation	600
Internal cutout dimensions in mm (depth) with flush installation	500
Weight in kg	9
External cutout dimensions in mm (width) with flush installation	624
External cutout dimensions in mm (depth) with flush installation	524
Total rated load in kW	7.30
Length of supply lead in m	1.6
Voltage in V	230
Frequency in Hz	50-60

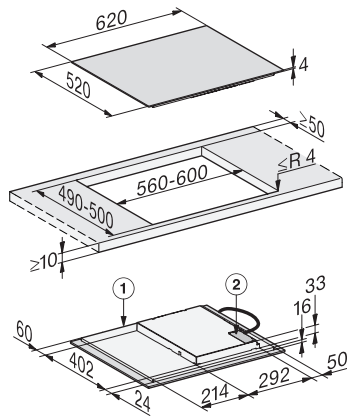
Accessories included

Mains cable	Yes
Voucher for a GGRP Gourmet griddle plate	Supply lead

KM 7361 FL

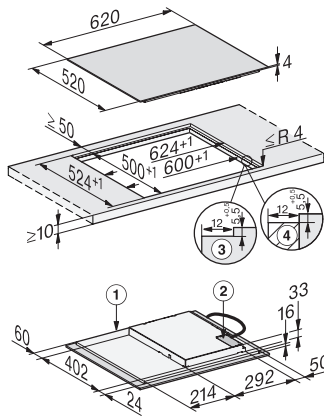
Induction hob with onset controls

with 4 individual cooking zones at an attractive entry-level price



KM7360FL, KM7361FL surface-mounted (Installation drawing)

1) front, 2) Mains connection box, The mains connection cable (L = 1440 mm) is enclosed loose



KM7360FL, KM7361FL flush (Installation drawing)

1) front, 2) Mains connection box, The mains connection cable (L = 1440 mm) is enclosed loosely, 3) Step milling natural stone worktop, 4) Wooden strip 12 mm (no supplied accessories)