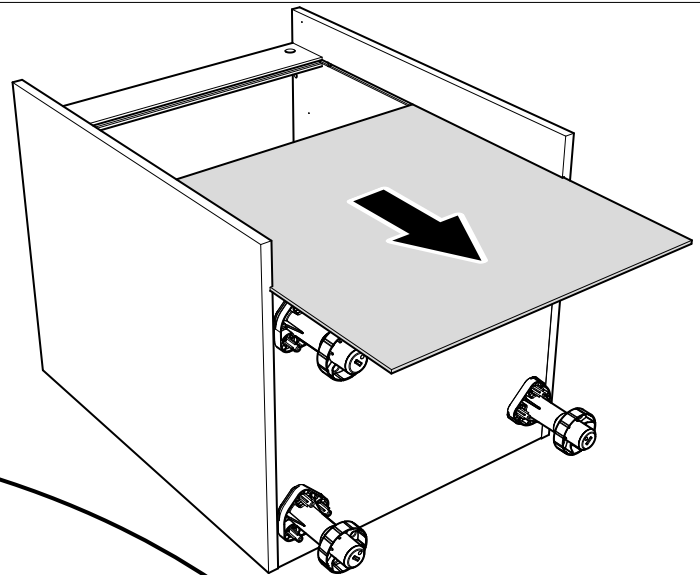


## 6. Installation - Modifications required for a 600mm cabinet with door frontal

### Remove the back panel

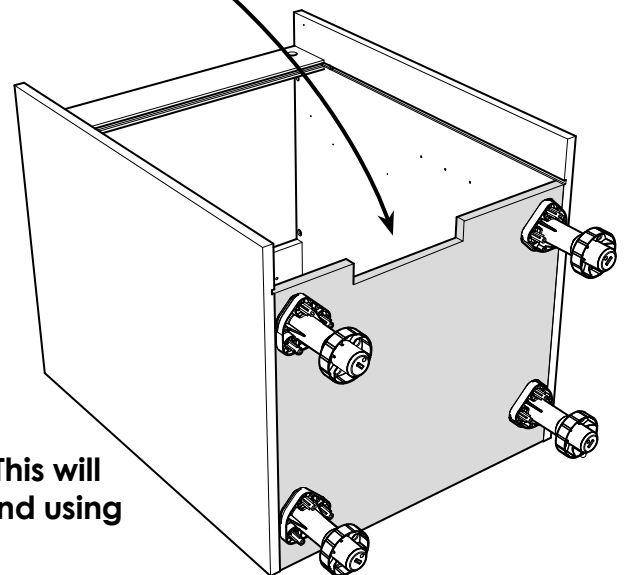
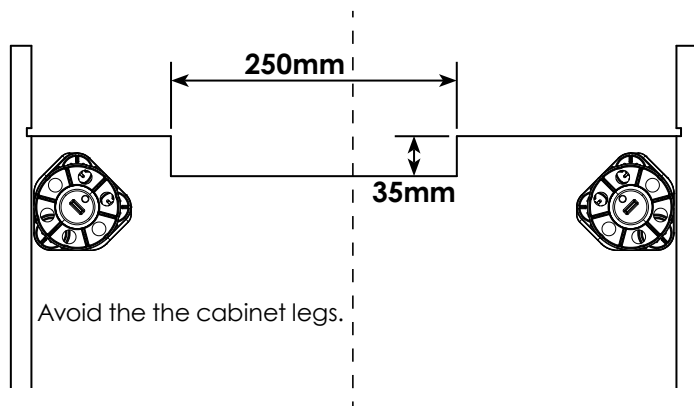
Keep the back panel for later use.



### ② Modify base

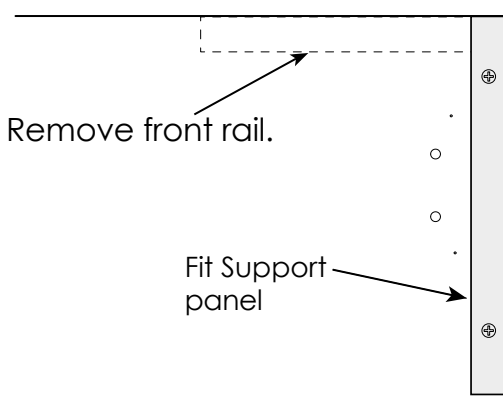
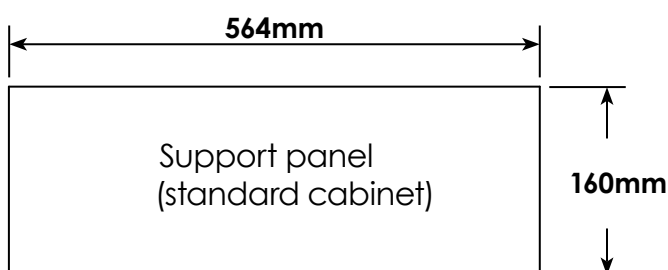
Cut out a section in the bottom shelf for ducting (to suit position of hob and ducting).

\*Dimensions are guides only.

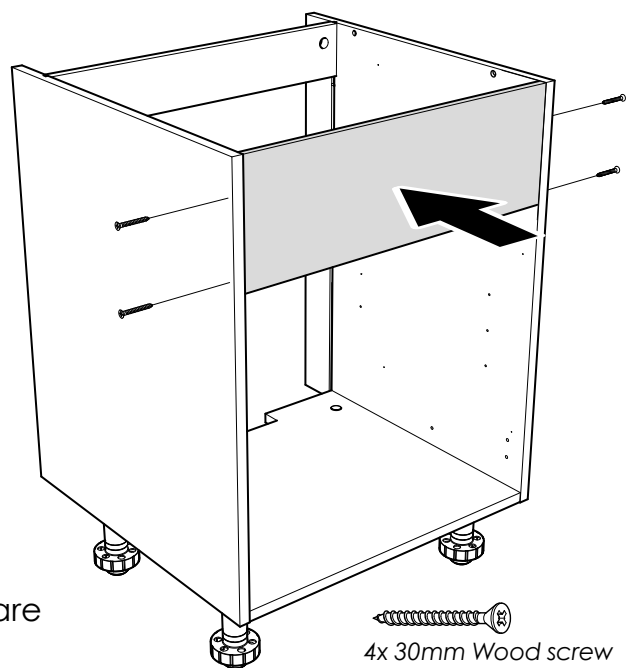


### ③ Make front support panel

Fit support panel flush with the top of the cabinet. **This will be visible when complete, therefore we recommend using a decor panel of some sort.**



\*Dimensions are guides only.



  
4x 30mm Wood screw  
(not supplied)