

## 6. Modifications for a combination hob Hood - 1000mm cabinet (900 minimum)

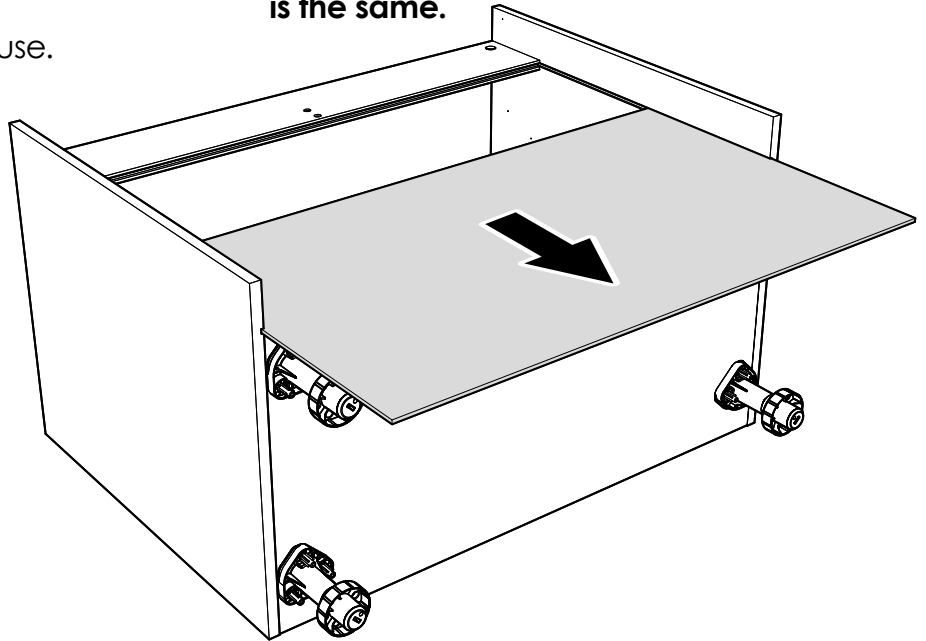
### ① Remove the back panel

Keep the back panel for later use.

⚠ Set up for standard or handleless kitchens is the same.

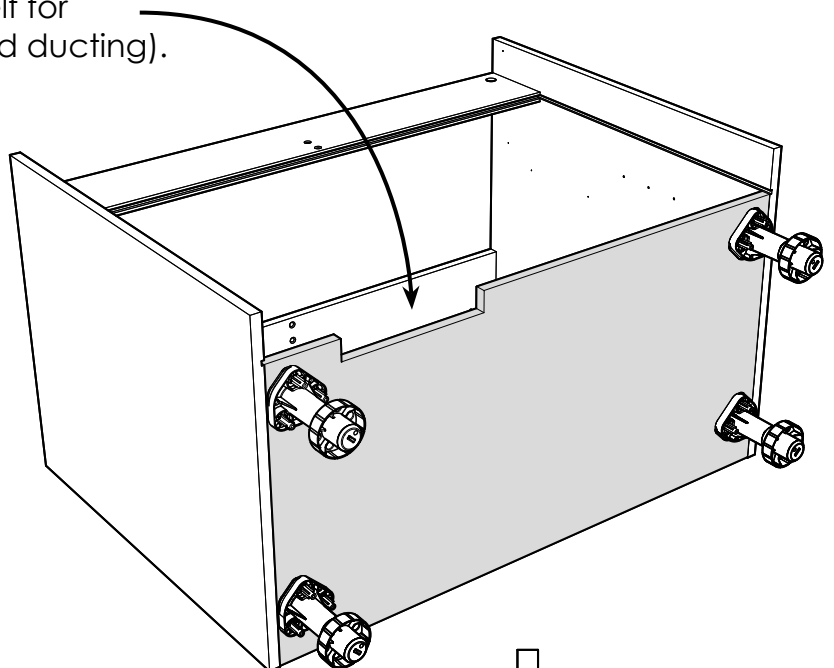
For illustrative purposes the frontal option has been shown. Variations for the drawer option are detailed separately.

**Read all stages before modifying the cabinet.**

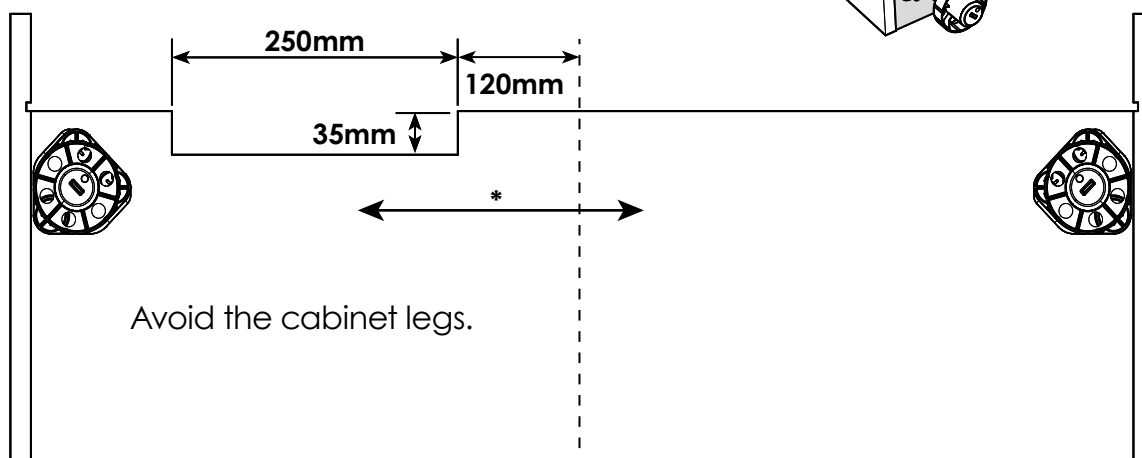


### ② Modify base

Cut out a section in the bottom shelf for ducting (\* to suit position of hob and ducting).



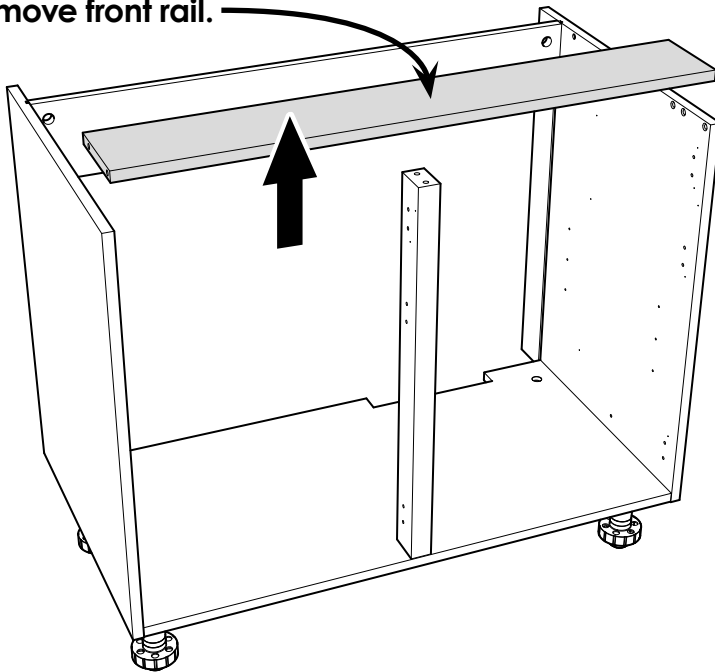
\*Dimensions are guides only.



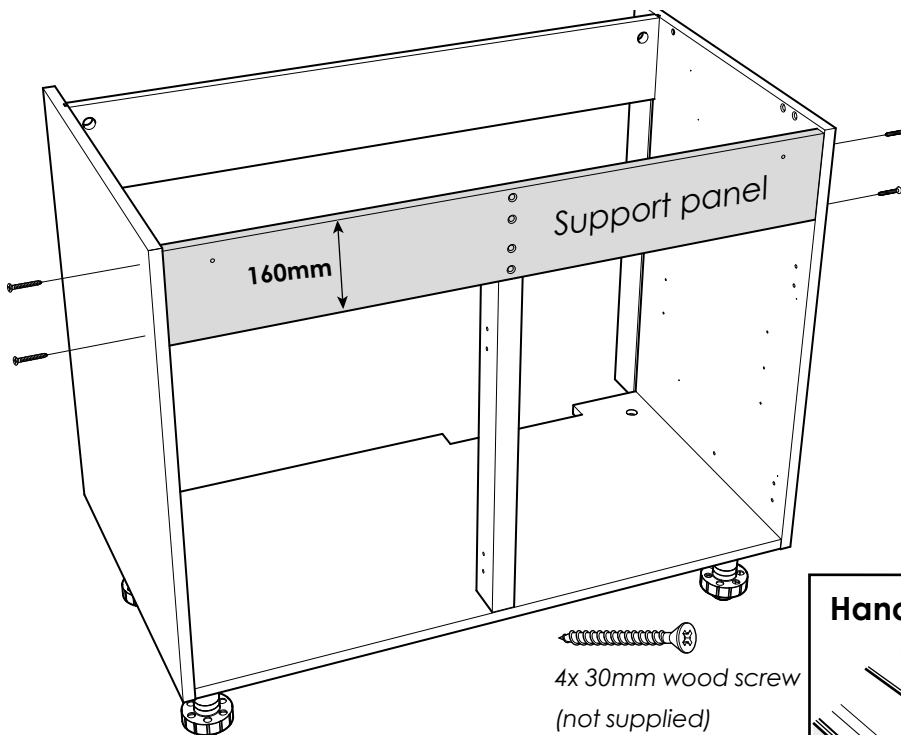
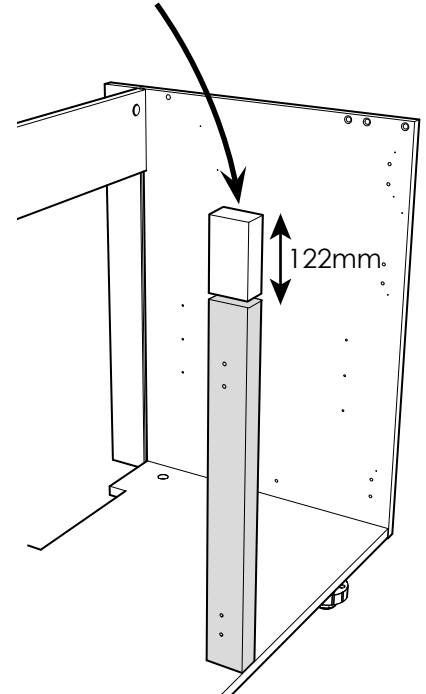
## 6. Modifications for a combination hob hood - 1000mm cabinet (900 minimum)

### ③ Make front support panel

Remove front rail.

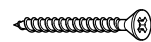


Remove c.122mm (140-18), the height of the support panel) from centre upright.

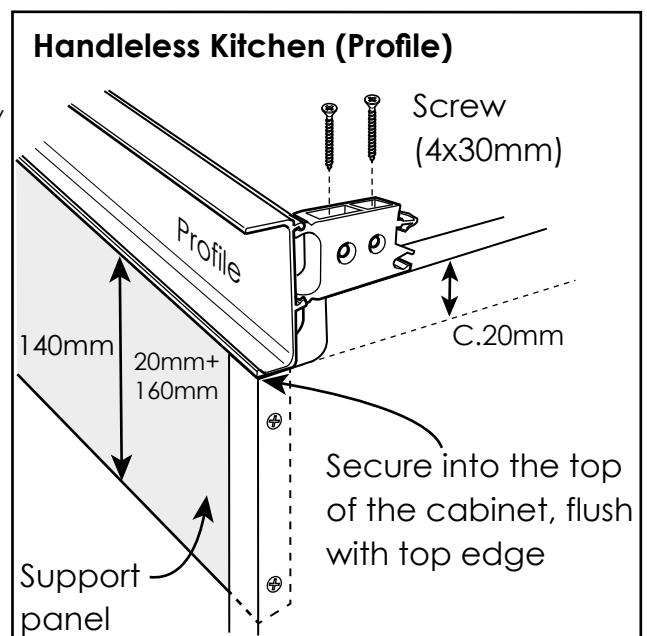


Fit support panel flush with the top of the cabinet.

Secure with KD blocks and side screws.

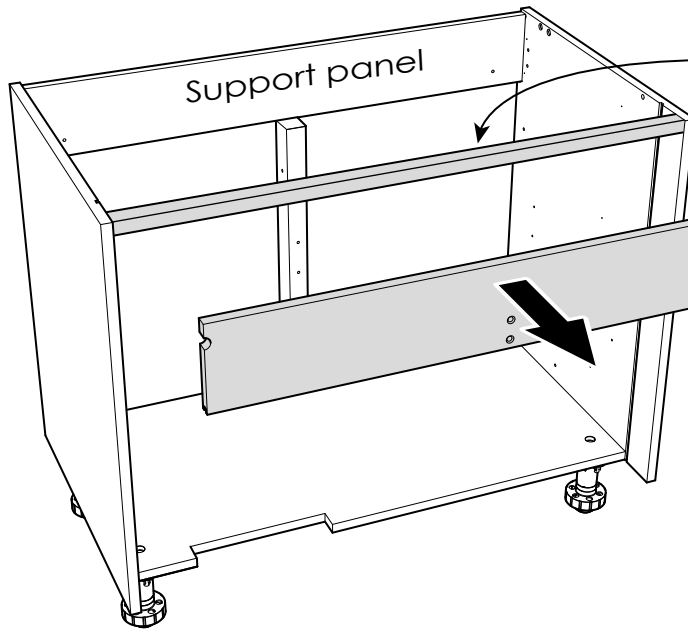
 4x 30mm wood screw  
(not supplied)

The support panel will be visible when complete, therefore we recommend using a decor panel of some sort.



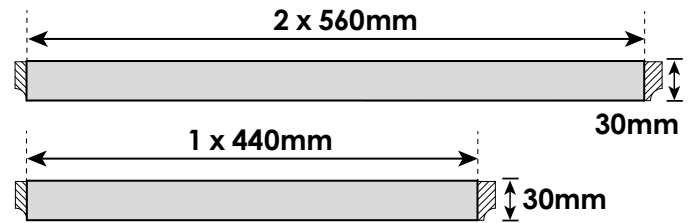
#### ④ Remove and cut down back rail

⚠️ Avoid metal tangs on wider cabinets.



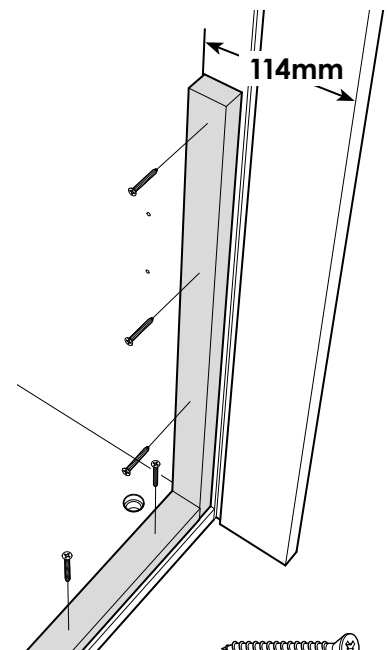
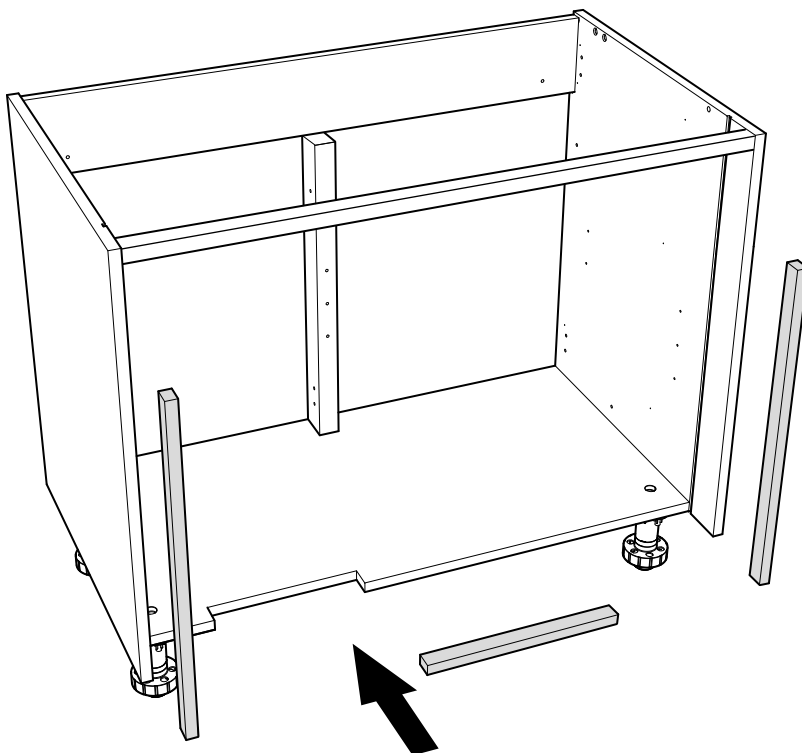
Insert batten at the back of the cabinet to support worktop.

Remove back rail and split into 3 long sections shown below.



#### ⑤ Fit back panel supports to cabinet sides

The cut down pieces of rail are used to hold the back panel in place.



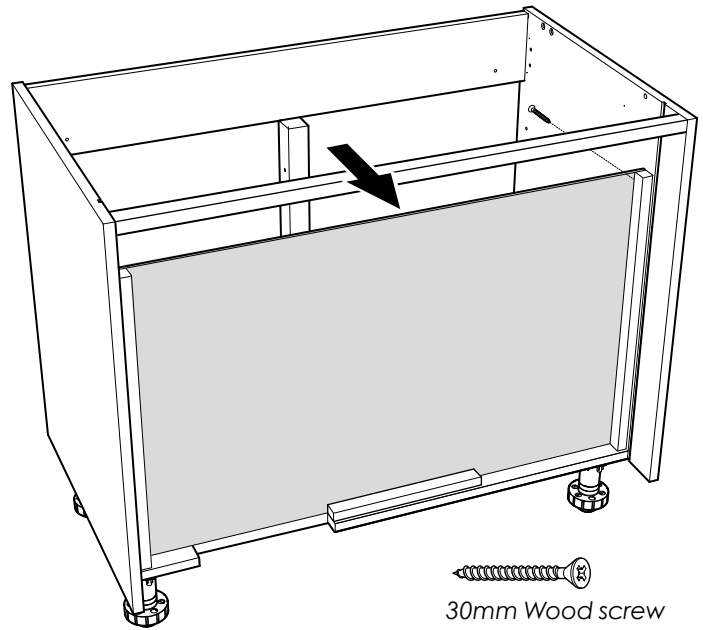
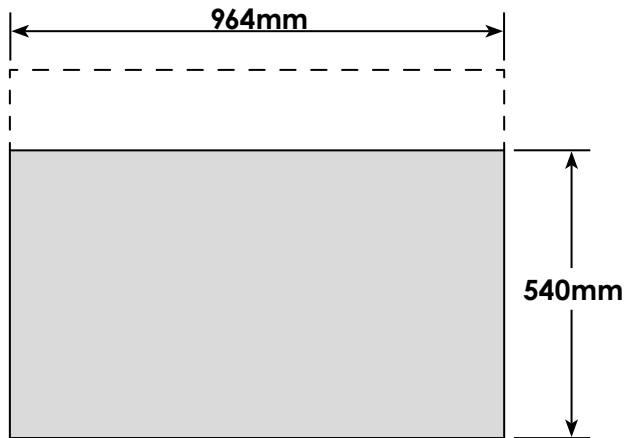
  
30mm Wood screw  
(not supplied)

⚠️ Don't cover the gap that has been cut for the ducting.

## 6. Modifications for a combination hob hood - 1000mm cabinet (900 minimum)

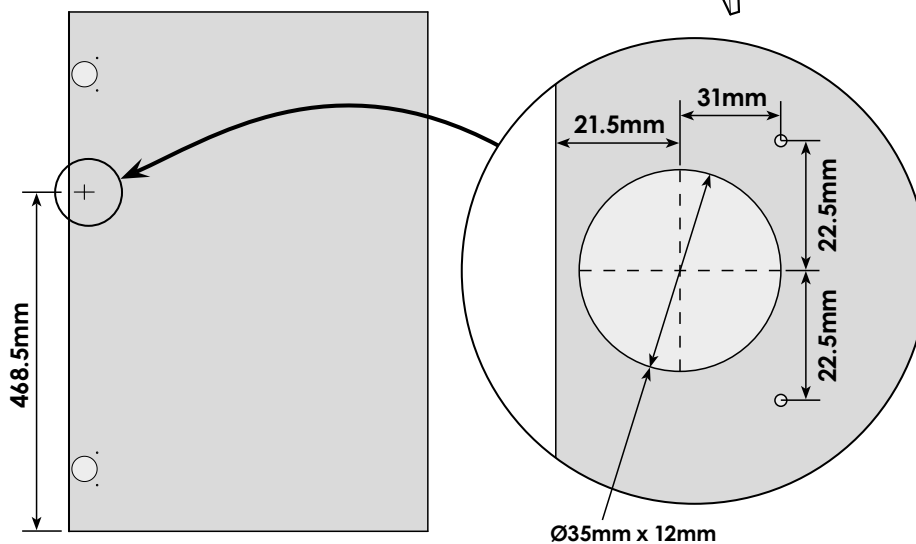
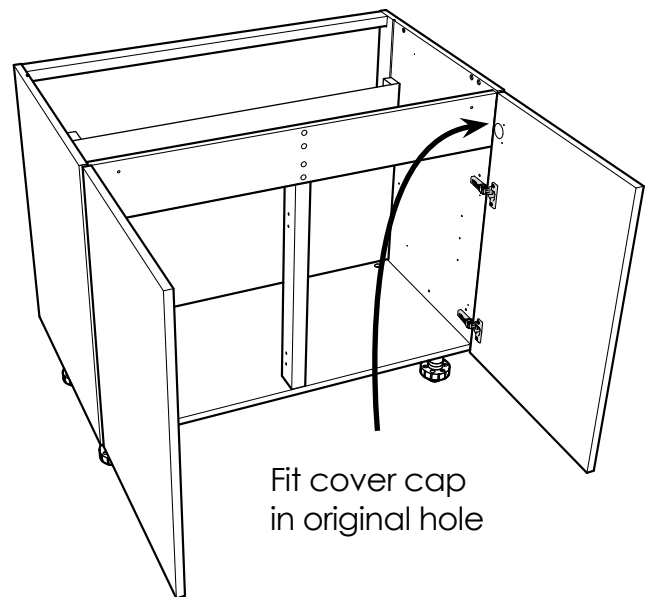
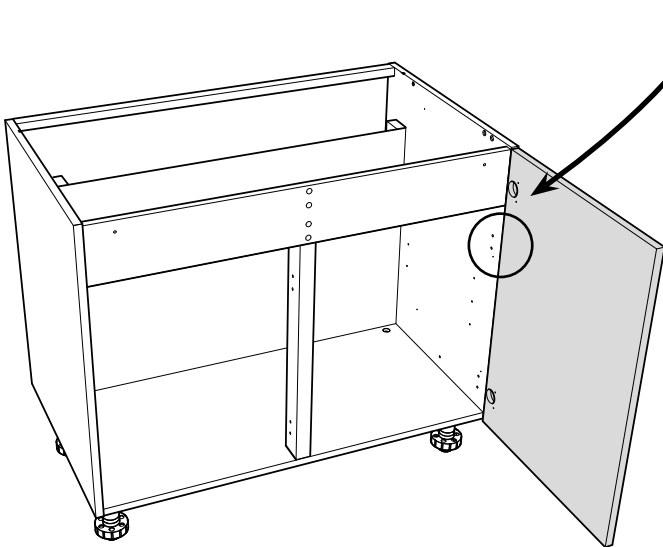
### ⑥ Fit back panel.

Cut down the back panel and screw to newly fitted support rails.



### Fitting with frontals

A new hinge hole will need to be drilled into the door at the dimensions shown below.

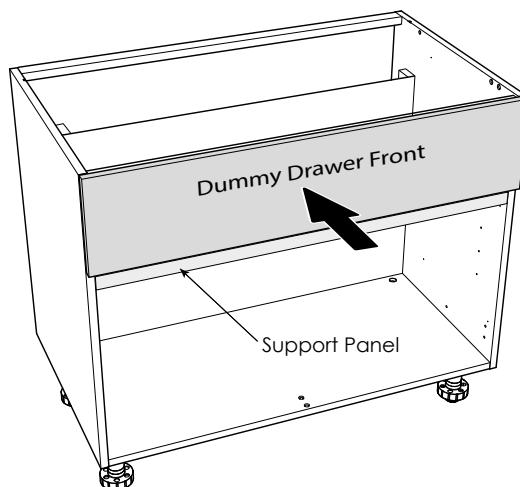
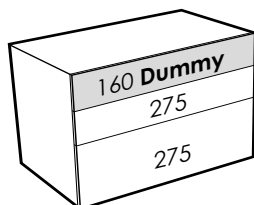


## 6. Modifications for a combination hob hood (1000mm cabinet, 900 minimum)

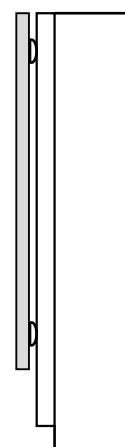
### Fitting with 3 drawers

 Follow previous steps 1- 6, ignoring centre post modification.

Fix the dummy drawer frontal onto the support panel from inside the cabinet using suitable screws.



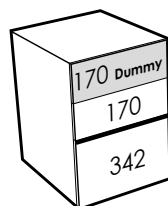
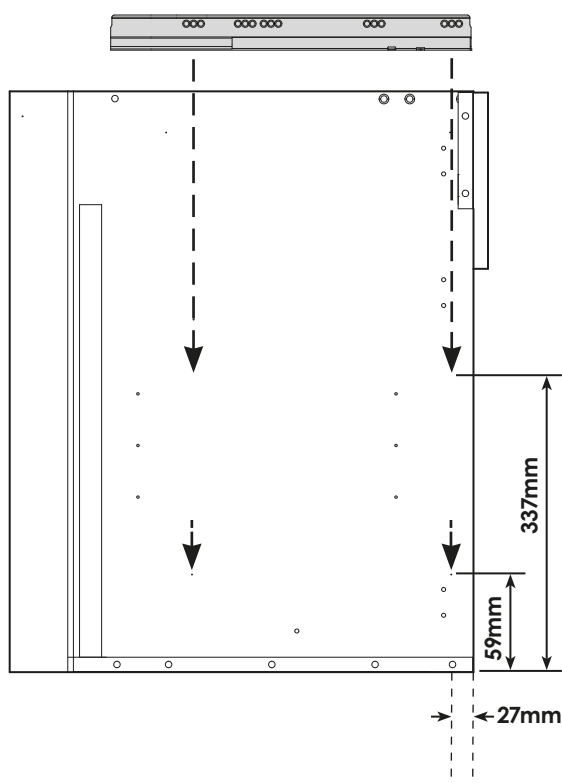
**Note:** Use bump-ons to maintain correct alignment.



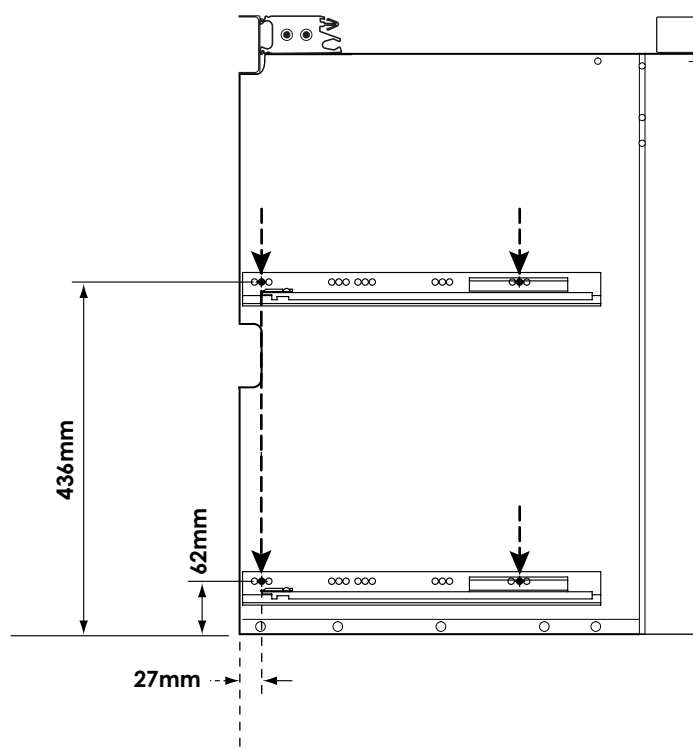
See Howdens Kitchen Installation Manual for drawer fixing and runner installation.

### Example drawer runner installation.

#### Standard



#### Handleless (Profile)



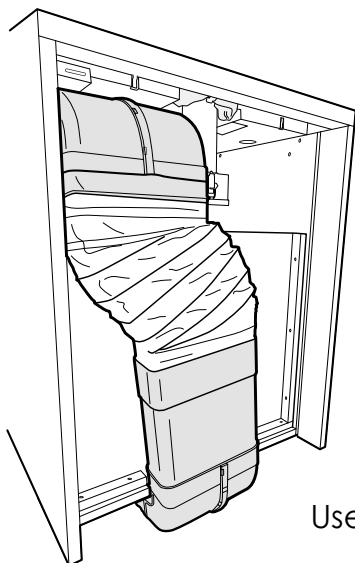
### 2 Drawer Option: 2 x 356mm frontals (LAM9550).

- Top drawer must be a cutlery drawer box (max. weight 30Kg) due to lower rear wall.
- Lower drawer will be a pan drawer box.

See Howdens Kitchen Installation Manual for drawer fixing and runner installation.

## 6. Installation - Air extraction system assembly

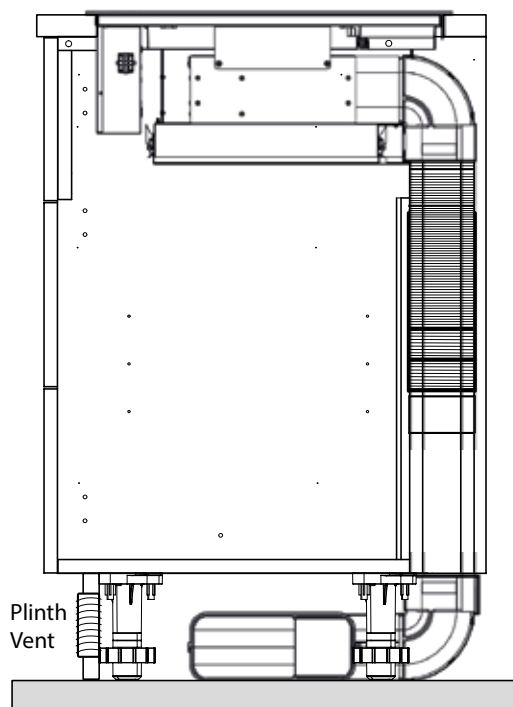
### (A) Recirculation air



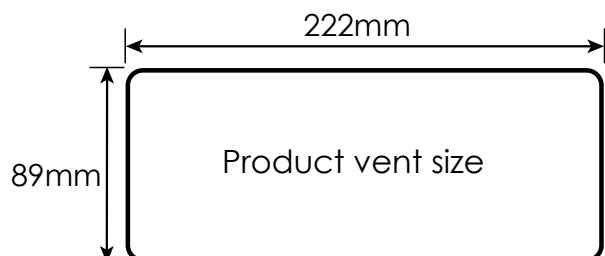
Use LAM2013 kit.

⚠ Ensure plinth vent is used.

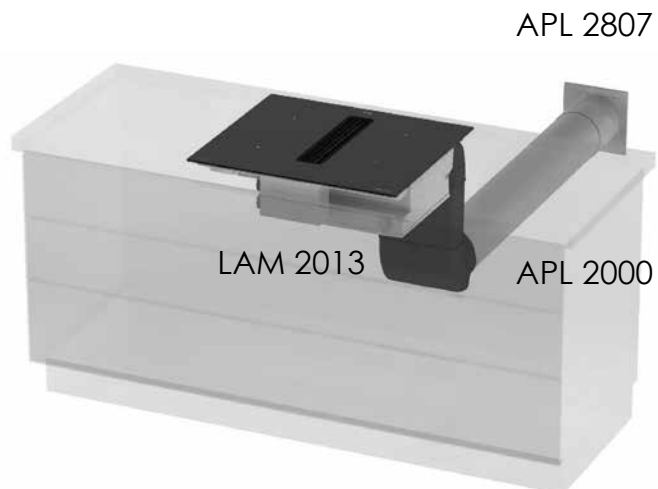
### Side view cabinet (A)



### External venting: Adapt to suit (B)



### (B) Extraction air



**Configure vent kits to suit application.**

Shown above using parts from LAM2013, APL2000 and APL2807

### Side view cabinet (B)

