

Users Guide & Installation

EN | FR | NL

H 92 K H 102 X

H 92 X H 102 PK

H 92 PK H 102 PX

H 92 PX H 112 K

H 102 K H 112 X

LEISURE

Please read this user manual first!




Dear Customer,

Thank you for purchasing this Leisure product. We hope that you get the best results from your product which has been manufactured with high quality and state-of-the-art technology. Therefore, please read this entire user manual and all other accompanying documents carefully before using the product and keep it as a reference for future use. If you handover the product to someone else, give the user manual as well. Follow all warnings and information in the user manual.

Remember that this user manual is also applicable for several other models. Differences between models will be identified in the manual.

Explanation of symbols

Throughout this user manual the following symbols are used:

	Important information and useful hints about usage.
	CAUTION: Warning for hazardous situations with regard to life and property.
	DANGER: Warning for hazardous situations with regard to life and property.



This product was manufactured using the latest technology in environmentally friendly conditions.

CONTENTS

ENGLISH 4-21

FRANÇAIS 22-41

NEDERLANDS 42-62

Important instructions for safety and environment

This appliance can only be used by children over the age of 8 and individuals with no physical, sensory or mental insufficiencies or no experience and knowledge insufficiencies when supervision or instruction on safe use is given to them and they understand the dangers.

- This product is intended for domestic use. Usage voltage of your appliance is 220-240 Volt~50 Hz. Mains cable of your appliance is equipped with an earth plug. This cable must be plugged into an earth plug.
- All electricity connections must be made by a qualified technician.
- Unauthorized installation can cause low performance, damage to the appliance and accidents.
- Appliance cable must not be jammed or crushed during installation. Power cable must not be fed near cookers. This can cause melting and fire.
- Do not plug the appliance before the installation is over.
- Make sure that the plug is easily accessible in order to disconnect the appliance in case of an emergency.
- Do not touch the appliance lamps when they are operated for a long time. Lamps may cause burns in your hands as they will be hot.
- Kitchen hoods are designed for domestic use for conventional cooking. It might fail and the warranty will be void if it is used for other purposes.
- Follow regulations and rules of authorities about the exhaust air discharge. (This is not valid for use without stacks).
- Food that catch fire while cooking must not be cooked under this appliance.
- Start your appliance after placing pans, pots, etc. on the cooker. Otherwise, high heat may cause deformation in some parts of your appliance.
- Turn off your appliance before removing pans, pots, etc. on the cooker.

Important instructions for safety and environment

- Do not leave hot oil on the cooker. Pans with hot oil may cause self-ignition and fire.
- Oil may catch fire while frying, etc. Be careful with curtains and quilts.
- Ensure that filters are replaced in time. Filters that are not replaced in time pose fire risk due to accumulated oil in them.
- Do not use non-fire-resistant filtering material instead of filters.
- Do not operate your product without a filter.
- Do not remove filters while the product is being used.
- In case of a fire, disconnect the hood and cooker. (Unplug the appliance or switch off the main circuit breaker).
- Your appliance may pose fire risk if not cleaned regularly.
- Disconnect your device before maintenance works. (Unplug the appliance or switch off the main circuit breaker).
- Negative pressure in the room while hoods and devices operating on other sources than electricity are used at the same time must not exceed 4 Pa (4 X 10 bar).
- If there are devices that are used with fuel or gas such as room heaters in the area where your appliance is used, the exhaust of these devices must be completely isolated or the device must be air tight.
- Use pipes with 150 or 120 mm diameter when connecting your appliance's stacks. The connection must be as short as possible with the fewest possible elbows.
- Children must not play with the appliance.
- Use "MAX 6 A" fuse in your appliance for your safety.
- Keep packaging material away from children as they may be dangerous.

Important instructions for safety and environment

- If the supply cable is damaged, it must be replaced by the manufacturer or its service agency or any personnel of equivalent qualifications to avoid any dangerous situation.
- In case of a fire, disconnect the hood and cooker and cover the flames. Never use water to extinguish.
- Accessible parts can be hot when cookers are operated.
- This appliance is not intended to be used by individuals with limited physical, sensory and mental abilities (including children) or individuals with limited knowledge or experience unless supervision and administration are provided by a person responsible for appliance safety.
- When hood is installed, there must be at least 65 cm clearance with the product and electricity cookers and with cookers operating on gas or other fuels.
- Hood outlet must not be connected to air channels that include other smoke.
- Care must be taken when appliance is used with devices that use air and fuel (e.g. heaters, water heaters that operate on gas, diesel fuel, coal or wood). This is because it may decrease combustion as hood discharges air in the room atmosphere.
- This is not valid for use without stacks.
- The room must have sufficient ventilation when cooker, hood and devices that operate on gas and other fuels are used at the same time (this may not be applied to devices that circulates air in the room).

1.1 Compliance with the WEEE Directive and Disposing of the Waste Product:

This product complies with EU WEEE Directive (2012/19/EU). This product bears a classification symbol for waste electrical and electronic equipment (WEEE).



This product has been manufactured with high quality parts and materials which can be reused and are suitable for recycling. Do not dispose of the waste product with normal domestic and other wastes at the end of its service life. Take it to the collection center for the recycling of electrical and electronic equipment. Please consult your local authorities to learn about these collection centers.

Compliance with RoHS Directive

The product you have purchased complies with EU RoHS Directive (2011/65/EU). It does not contain harmful and prohibited materials specified in the Directive.


1.2 Package information



Packaging materials of the product are manufactured from recyclable materials in accordance with our National Environment Regulations. Do not dispose of the packaging materials together with the domestic or other wastes. Take them to the packaging material collection points designated by the local authorities.

2 Risk of death - risk of poisoning

2.1 Risk of Death - Risk of Poisoning

 **DANGER:** Risk of poisoning due to the reabsorbed combustion gasses. Unless adequate air entrance is provided during air egression use, do not use the device concurrently with items which exhaust poisonous gasses through stack such as stoves, burners, water heaters, etc. operating on circulating air gas, oil, wood or coal.

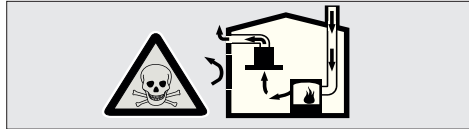



Figure 2: Risk poisoning

 **DANGER:** Air circulation items (e.g. stoves, burners, water heaters operating on gas, oil, wood or coal) take the combustion air from the installation place and expel the exhaust gasses through an exhaust gas system (e.g. stack). Air is absorbed from the kitchen and adjacent rooms with the running hood. Vacuum occurs if adequate air entrance is not provided. In such a case, poisonous gasses are reabsorbed from the stack and exhaust gas channel and re-enter in the house. Figure 2. For this reason, adequate fresh air intake should always be ensured. Figure 3

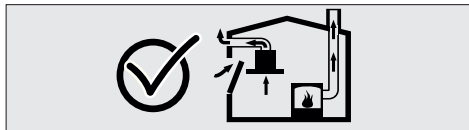




Figure 3

 **DANGER:** Risk of fire! Due to floating sparks. Installation of device on heating equipment which is heated by using solid fuels (e.g. wood or coal) may only be allowed if there is a non-detachable cover. Updated current building regulations and regulations for local electricity and water supply companies should be paid attention for installation. If the device is not cleaned in accordance with the cleaning instructions, it may cause fire.

 **DANGER:** Risk of fire! Due to floating sparks. Installation of device on heating equipment which is heated by using solid fuels (e.g. wood or coal) may only be allowed if there is a non-detachable cover. Updated current building regulations and regulations for local electricity and water supply companies should be paid attention for installation. If the device is not cleaned in accordance with the cleaning instructions, it may cause fire.

 **DANGER:** Risk of electrocution! Due to damaged connection cable. Do not fold or squeeze the connection cable during installation process.

 **DANGER:** Risk of injury!
– There is risk of injury during installation due to sharp edges. Always use safety gloves throughout installation works of device.
– All safety bolts and safety covers should be mounted as described in the operation manual due to device's risk of falling down.



DANGER: Risk of burning, risk of electrocution!

– Wait until the device cools down prior to cleaning or maintenance work. Disconnect the fuse or unplug from the mains.

– There is risk of damage due to humidity seepage to electronic parts. Never clean the control elements with a damp cloth.

– Surface can be damaged as a result of incorrect cleaning. Clean stainless steel surfaces only in brushing direction. Do not use stainless steel cleaners for control elements.

– Surface can be damaged due to sharp or scrubbing cleaning agents. Never use sharp or scrubbing cleaning agents.



When the bulbs of the device is damaged, disconnect the fuse or unplug your device from the mains. To avoid overloading the other bulbs, immediately replace the failed bulbs (wait until the bulb cools down).



CAUTION: When used together with cookers, accessible parts may heat up.



DANGER: Air outlet pipe of this device should never be connected inside the stack which is used to expel fumes emitting from devices using gas or other fuels.



DANGER: Risk of fire, risk of injury! Disconnect the fuse or unplug your device from the mains due to exceptional or amiss repairs. Repairs should always be carried out by authorized service or authorized specialist staff only.



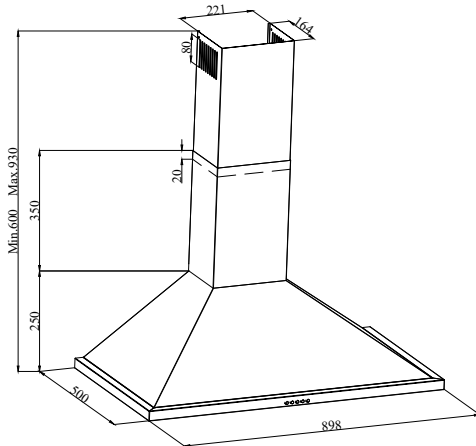
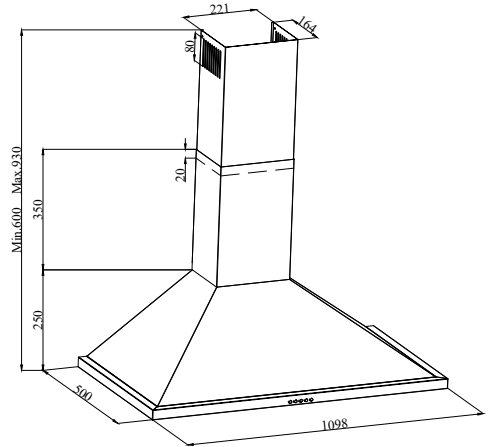
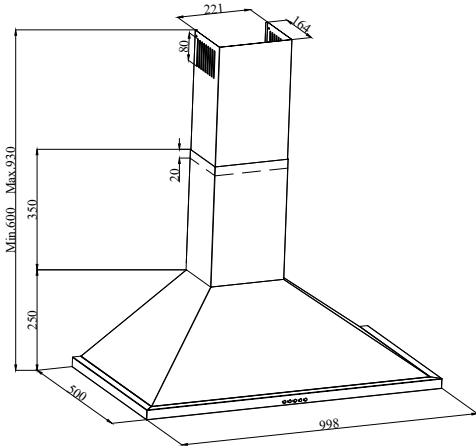
In case of failure or damage on the device, disconnect the fuse or unplug your device from the mains and call the authorized service.



If the supply cable is damaged, it must be replaced by the manufacturer or its service agency or any personnel of equivalent qualifications to avoid any dangerous situation.

3

Technical specifications of your appliance



Markings on the product or the values stated in other documents supplied with the product are values obtained under laboratory conditions as per relevant standards. These values may vary depending on operational and environmental conditions of the product.

4.1 Carbon Filter Replacement

Under circumstances without a stack, active carbon filter should be used to resend the inside air by re-filtering. Active carbon filter should be procured from the service or your dealer. Disconnect the device prior to replacing the carbon filter. Since the carbon filter is used in kitchens without a stack outlet, it should be replaced by a new one every 3 to 5 months subject to usage. Carbon filter should never be washed. In any case the oil filters should be attached to the product regardless of using a carbon filter or not. Do not use the product without oil filter.

4.2 Carbon Filter Replacement

The device you have bought is suitable for AF 90 carbon-filter use.

1. Place the carbon filter in its housing. Figure 4
2. Rotate the carbon filter clockwise and make sure that it is seated completely. Figure 4

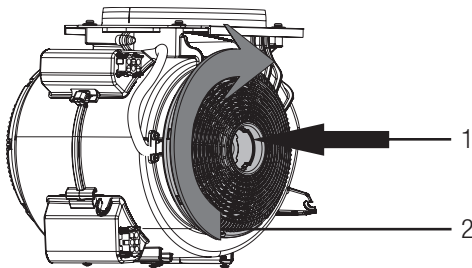


Figure 4: Carbon Filter



If not seated completely, carbon filter can fall and damage your product.



DANGER: Never wash the carbon filters. Keep carbon filters away from children.

CAUTION: Cleaning and user service should not be made by children who are not under supervision.

- Surface can be damaged due to sharp or scrubbing cleaning agents. Never use sharp or scrubbing cleaning agents. Procure cleaning and protection agents proper for your device from the authorized service. Surface of the device and control units are sensitive against scratching.

Clean the surfaces with a soft, damp cloth, dishwashing detergent or a mild glass cleaning agent. Soften dried and stuck soil with a damp cloth. Do not scrape!

- Using dry clothes, sponges that may scratch, agents that necessitate rubbing, cleaning agents containing sand, soda, acid or chlorine or other strong materials is not appropriate.

- Clean stainless steel surfaces only in the direction of grinding.

- Do not use stainless steel cleansers and wet clothes for control units.

Cleaning metallic oil filters Used metallic oil filters trap oily particles contained in the humidity and steam in the kitchen. Under normal usage (1-2 hours daily), clean metallic oil filters approximately every three months.

- Do not use excessively strong, acidic or chlorine- solution cleansers.

- While cleaning the metallic oil filter, clean the trapping arrangements of metallic oil filters in the device with a damp cloth also.

- You can clean metallic oil filters in the dishwasher or by hand wash.



5.1 Washing in the Dishwasher

In case of dishwashing, slight discoloration may be in question. This has no impact in terms of the function of the metallic oil filter.

- Do not wash heavily soiled metallic oil filters together with the dishes.

- Place the metallic oil filters in the dishwasher loosely or freely standing. Metallic oil filters should be placed in the dishwasher without any compression on them.

5.2 Hand Washing

Soften the stains of the metallic oil filters in hot dishwashing detergent water.

- Use a brush for cleaning and let the liquids on the metal oil filters to drain completely.

- Rinse the filters well after cleaning.

You may use a special oil solvent to remove persistent soils. You can get this product via authorized sales center.

6 Installation of the device

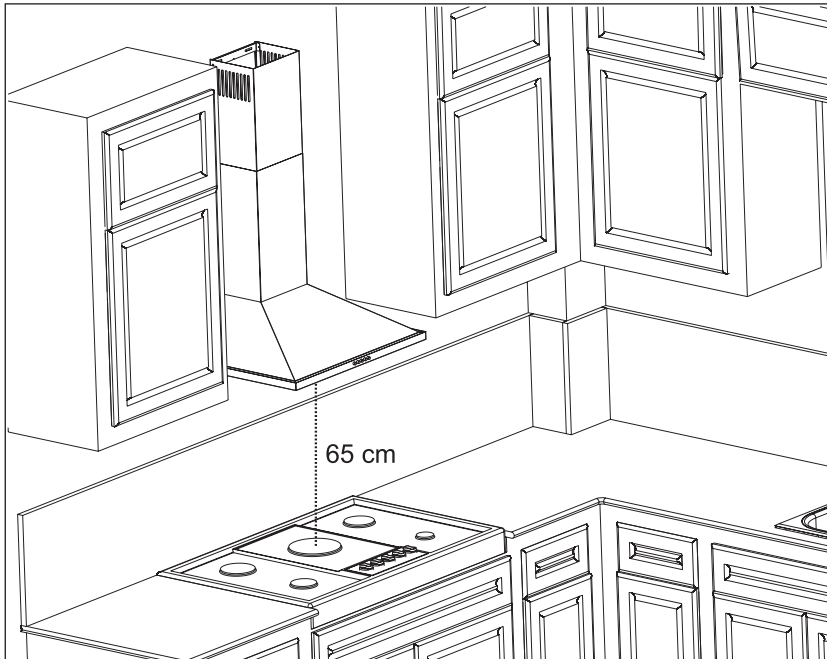


Figure 5: Installation of the device

When hood is installed, the product must have at least 65 cm clearance with the electricity cookers and with cookers operating on gas or other fuels. Figure 5

6 Installation of the device

6.1 Installation Scheme

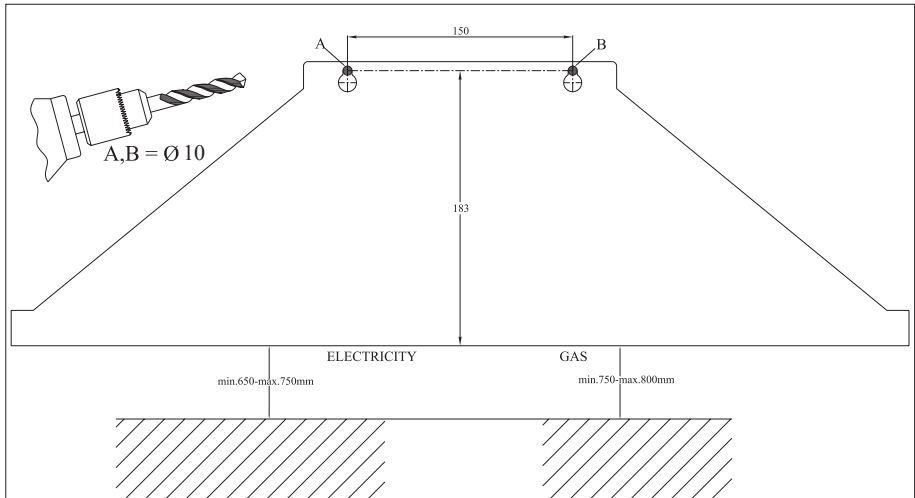


Figure 6: Installation scheme

6.2 Installation and Unpacking

Check if there are any damages on your appliance.

- Shipment damages must be reported to the shipment responsible immediately.
- Visible defects must also be communicated to the seller.
- Do not let children play with packaging material.

Regularly change carbon filters.

- Clean aluminum filters regularly. You might need to operate your appliance in high levels as dirty filter will block air intake.
- Use your appliance levels appropriately.
- Using in high levels will increase your energy consumption.

7 Package content

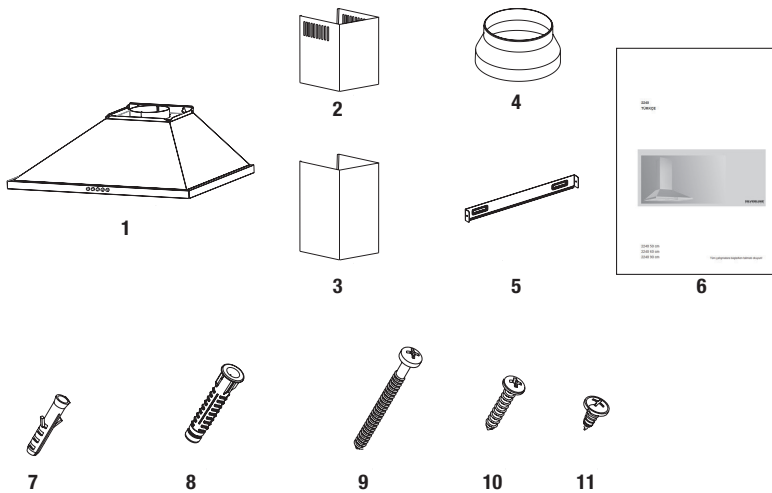


Figure 7: Package content

1. Product
2. Internal Stack
3. External Stack
4. 150/120 mm Plastic Flue Adapter
5. Stack Connection Metallic Sheet
6. Operation Manual
7. Ø6mm Plastic Pin
8. Ø10mm Plastic Pin
9. 5.5x60 Wall Mount Screw
10. 3.9 x 22 Stack Connection Sheet Screw
11. 3.5 x 9.5 Stack Connection Screw

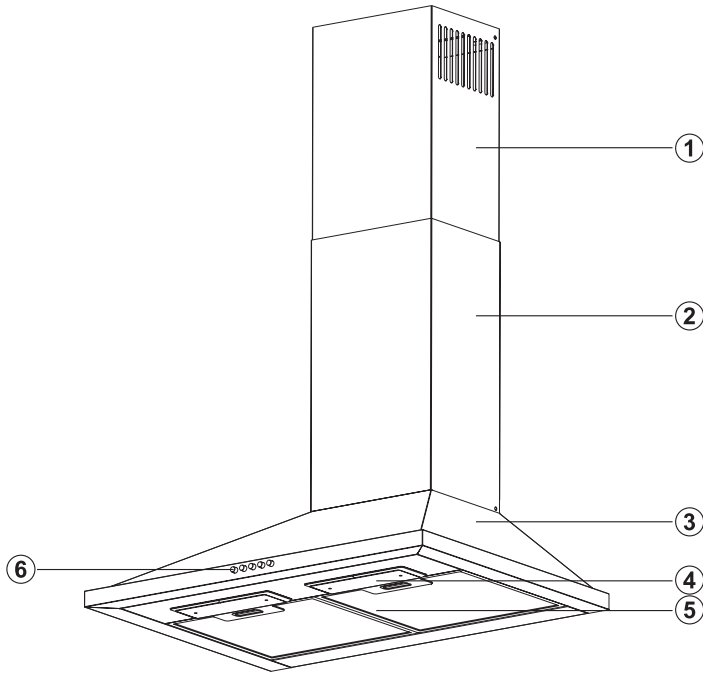


Figure 8: Overview of the hood

1. Internal Stack
2. External Stack
3. Body
4. Cooker Lighting
5. Aluminium Filter
6. Control Panel

9 Installation of the product

9.1 Installation scheme and parts

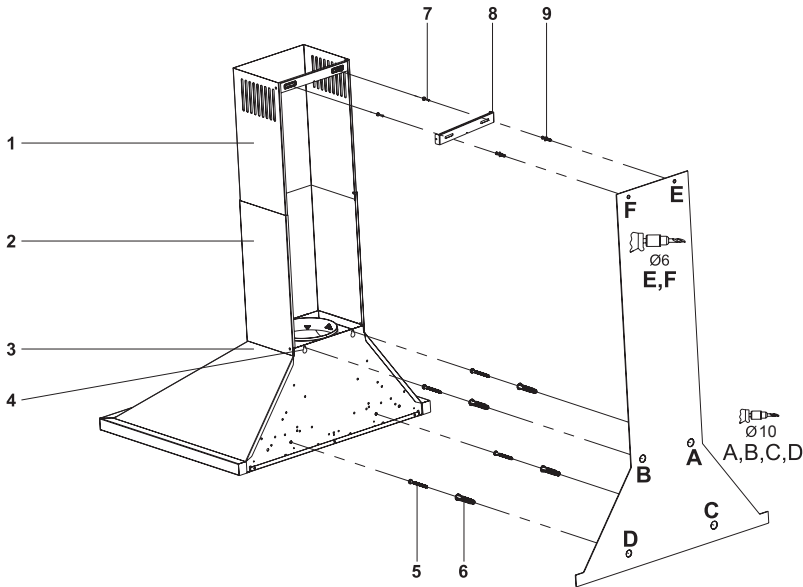


Figure 9: Installation and parts

1. Internal Stack
2. External Stack
3. Body
4. Product Rack Sheet
5. 2x 5.5x60 Wall Rack Screw
6. 2x Ø10mm Plastic Pin
7. 2x 3.9x22 Screw
8. Stack Connection Metallic Sheet
9. 2x Ø6mm Plastic Pin

Install the hood using the installation scheme.

- Check the minimum and maximum distance according to workbench and drill points A, B. (Figure 9)
- Place Ø10mm pins in drilled A, B points and screw the screws to A+B points leaving 5 mm gap between screw head and the wall. (Figure 9)
- Hang the hood on the wall using A, B points.

10 Mounting sheet stacks

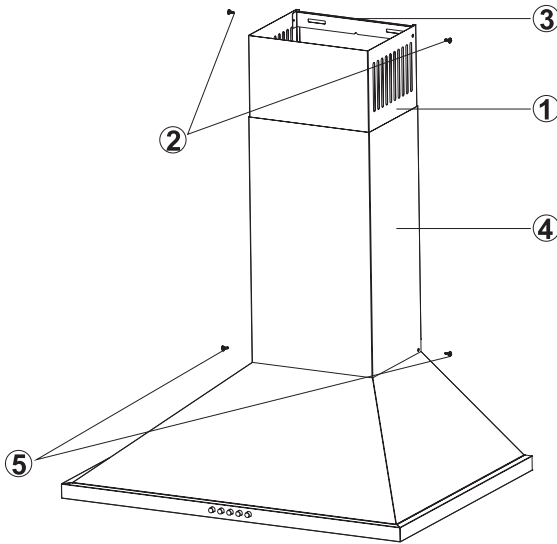


Figure 10: Mounting sheet stacks

1. Internal Stack
2. Internal Stack Connection Sheet Fixing Screws
3. Stack Connection Metallic Sheet
4. External Stack
5. External Stack Fitting Screw

Install air exhaust connection of the appliance. Internal and external sheet stacks are inserted to each other. "Installation Scheme and Parts". Center stack connection sheet (3) on the hood, hold it under the cover or measure and mark C, D points. (Figure 10)

- Drill C, D points with $\varnothing 6\text{mm}$ drill and place $\varnothing 6\text{mm}$ plastic pins. Place stack connection sheet on the surface where 3.9x22 screws will be installed. (Figure 10)
- Pull out the internal stack (1) using screws (2) and screw it on stack connection sheet on the right and left (3). (Figure 10)
- Mount the external stack (4) on hood body using 2 screws (5). (Figure 10)

11 How to use the product

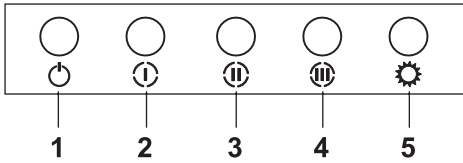


Figure 11: Push button

1. Press this button to reset your product.
2. Product will run on 1st speed level when this button is pressed.
3. Product will run on 2nd speed level when this button is pressed.
4. Product will run on 3rd speed level when this button is pressed.
5. Press this button to turn on and off the lamp.

12 Lamp replacement



DANGER: Disconnect the hood from mains. Wait for the lamps to cool as you might burn your hands.

12.1 Replacement of LED Lamp

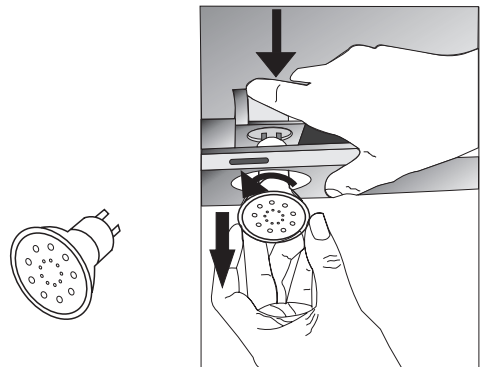


Figure 13: Replacement of LED lamp

Remove the aluminium cartridge filter. Remove the faulty bulb and replace with a new one with the same rating. Fig. 13

13 Authorized service

If Lighting is not working:

- Make sure the appliance is plugged and fuses are not faulty.
- Check bulbs. Make sure to unplug the appliance while making this check. Tighten the lamps if they are loose. Replace them if they still do not work.

Possible Failures and Actions You Can Do Without Calling the Service:

- Appliance does not work at all:
 - Check if the appliance is plugged or the plug is secured in the socket.
 - Check the breaker of the appliance and main breaker of your house.

If the device shows low performance or makes loud noises while working:

- Does the appliance have a sufficient stack diameter? (min. 120 mm).
- Are the metallic filters clean? Check.
- If you are using the hood without stack, make sure carbon filters are not older than 6 months.
- Make sure your kitchen is ventilated enough to ensure air flow. If you are still dissatisfied with your appliance's performance, contact the authorized service.

13 Authorized service

13.1 Installation Scheme and Parts

Troubleshooting	Reason	Help
Product does not work	Check electricity connection	Mains voltage must be 220-240V and the product must be connected to an earth socket
Lighting lamp does not work	Check electricity connection	Mains voltage must be 220-240V and the product must be connected to an earth socket
Lighting lamp does not work	Check lamp switch	Lamp switch must be in "on" position
Lighting lamp does not work	Check lamps	Product lamps must not be faulty
Product air suction is weak	Check aluminum filter	Aluminum cartridge filter must be washed at least once a month under normal conditions
Product air suction is weak	Check air exhaust stack	Air exhaust stack must be open
Product air suction is weak	Check Carbon filter	In products that carbon filters are used, carbon filter must be replaced once in 3 months under normal conditions
Does Not Discharge Air (Use without Stack)	Check Aluminum filter	Aluminum cartridge filter must be washed at least once a month under normal conditions
Does Not Discharge Air (Use without Stack)	Check Carbon filter	In products that carbon filters are used, carbon filter must be replaced once in 3 months under normal conditions

13.2 Technical Chart

Feed Voltage	220 - 240 V 50Hz
Motor Insulation Class	F
Insulation Class	CLASS I

Avant de commencer, bien vouloir lire ce manuel d'utilisation !

Chère cliente, cher client,


Merci d'avoir choisi les produits Leisure. Nous espérons que ce produit, fabriqué dans des installations modernes et soumis à un processus de contrôle qualité rigoureux, vous offre les meilleures performances possibles. C'est pourquoi nous vous recommandons, avant d'utiliser ce produit, de lire attentivement ce manuel et tous les autres documents fournis et de les conserver soigneusement pour toute consultation future. Si vous confiez le produit à quelqu'un d'autre, n'oubliez pas de lui remettre également le manuel d'utilisation. Veuillez à bien respecter les consignes et les instructions figurant dans le manuel d'utilisation.

Notez que ce manuel d'utilisation peut s'appliquer à plusieurs autres modèles. Les différences entre un modèle et un autre sont clairement exposées dans le manuel.

Signification des pictogrammes

Les symboles suivants sont repris tout au long de ce manuel:

	Informations importantes et conseils utiles concernant l'utilisation de l'appareil.
--	---

	ATTENTION: Avertissements sur les situations dangereuses concernant la sécurité des biens et des personnes.
--	--

	DANGER: Avertissements sur les situations dangereuses concernant la sécurité des biens et des personnes.
---	---



Ce produit a été fabriqué dans les usines modernes respectueuses de l'environnement.

Cet appareil est conforme à la directive DEEE.



Ne contient pas de PCB.

Cet appareil ne peut être utilisé que par des enfants de plus de 8 ans et des individus ne présentant aucune déficience physique, sensorielle ou manquant d'expérience ou de connaissances s'ils ont été supervisés ou ont été formés à l'utilisation sécurisée de l'appareil et comprennent les risques y relatifs.

- Cet appareil est destiné à un usage domestique. La tension d'utilisation de votre appareil est de 220-240 Volt~50 Hz. Le câble d'alimentation de votre appareil est équipé d'une prise de terre. Assurez-vous que ce câble est branché sur une prise de mise à la terre.
- Tous les branchements électriques doivent être effectués par un technicien qualifié.
- Une installation non autorisée peut entraîner de faibles performances, des dommages à l'appareil et des accidents.
- Évitez de coincer ou d'écraser le cordon d'alimentation de l'appareil pendant l'installation. Le câble d'alimentation ne doit pas être branché près des cuisinières. Il pourrait fondre ou créer un incendie.
- Ne branchez pas l'appareil avant la fin de l'installation.
- Assurez-vous que la prise est facilement accessible pour débrancher l'appareil en cas d'urgence.
- Ne touchez pas les lampes de votre appareil après une longue durée de fonctionnement. Elles pourraient vous brûler les mains, car elles sont très chaudes à ce moment.
- Les hottes de cuisine sont conçues pour un usage domestique dans une cuisine conventionnelle. Toute utilisation pour des fins autres que celles prévues annule la garantie, car elle expose l'appareil à des dommages.

- Suivez les règlements et les règles des autorités concernant la décharge des gaz d'échappement. (Ceci n'est pas valable pour une installation sans cheminée).
- Évitez de faire cuire des aliments qui prennent feu avec cet appareil.
- Mettez l'appareil en marche après avoir placé des casseroles, des marmites, etc. sur la cuisinière. Autrement, la température élevée peut provoquer la déformation de certaines pièces de votre appareil.
- Éteignez votre l'appareil avant de retirer les casseroles, les marmites, etc. sur la cuisinière.
- Ne laissez pas d'huile chaude sur la cuisinière. Les casseroles contenant de l'huile chaude peuvent provoquer une auto-inflammation et un incendie.
- L'huile peut prendre feu lors de la friture, etc. Soyez prudent avec les rideaux et les couettes.
- Assurez-vous que les filtres sont remplacés à temps. Les filtres qui ne sont pas remplacés à temps représentent un risque d'incendie en raison de l'huile qui s'y accumule.
- N'utilisez pas de matériaux filtrants ignifuges à la place des filtres.
- N'utilisez pas votre appareil sans filtre.
- Ne retirez pas les filtres pendant l'utilisation de l'appareil.
- En cas d'incendie, débranchez la hotte et la cuisinière. (Débranchez l'appareil ou coupez le disjoncteur principal).
- Votre appareil peut présenter un risque d'incendie s'il n'est pas nettoyé régulièrement.
- Débranchez votre appareil avant de procéder à l'entretien. (Débranchez l'appareil ou coupez le disjoncteur principal).

- Lorsque des hottes et des dispositifs fonctionnant sur des sources autres que l'électricité sont utilisés en même temps, la pression négative de la pièce ne doit pas dépasser 4 Pa (4 x 10 bar).
- En présence d'appareils fonctionnant au carburant ou au gaz tels que des appareils de chauffage dans la zone d'utilisation de votre appareil, assurez-vous que l'échappement de ces appareils est complètement isolé et que votre l'appareil est étanche.
- Utilisez des tuyaux de 150 ou 120 mm de diamètre pour connecter la cheminée de votre appareil. La connexion doit être aussi courte que possible avec le moins de coudes possible.
- Ne laissez pas les enfants jouer avec l'appareil.
- Pour votre sécurité, utilisez un fusible « MAX 6 A » sur votre appareil.
- Tenez les matériaux d'emballage hors de portée des enfants, car ils peuvent être dangereux.
- Si le câble d'alimentation est endommagé, faites-le remplacer par le fabricant, son agence d'entretien ou toute autre personne qualifiée, pour éviter tout danger.
- En cas d'incendie, débranchez la hotte et la cuisinière et recouvrez la flamme. N'utilisez jamais d'eau pour éteindre le feu.
- Les pièces accessibles peuvent être chaudes lorsque les cuisinières sont en marche.
- Cet appareil n'est pas destiné à être utilisé par des personnes ayant des capacités physiques, sensorielles et mentales limitées (y compris des enfants) ou des personnes ayant des connaissances ou une expérience limitées, à moins que la supervision et l'administration ne soient fournies par une personne responsable de la sécurité des appareils.

- Une fois la hotte installée, laissez un espace minimum de 65 cm entre l'appareil et les cuisinières électriques et les cuisinières fonctionnant au gaz ou à d'autres carburants.
- Ne connectez pas la prise de la hotte aux canaux d'air qui contiennent d'autres fumées.
- Des précautions doivent être prises lorsque l'appareil est utilisé avec des dispositifs qui utilisent de l'air et du carburant (par exemple, des radiateurs, des chauffe-eau fonctionnant au gaz, au diesel, au charbon ou au bois). En effet, ils peuvent diminuer la combustion lorsque la hotte décharge l'air la pièce.
- Ceci n'est pas valable pour une installation sans cheminée.
- La pièce doit avoir une ventilation suffisante lorsque la cuisinière, la hotte et les dispositifs fonctionnant au gaz et à d'autres carburants sont utilisés en même temps (cela n'est pas applicable aux appareils qui font circuler de l'air dans la pièce).

1.1 Conformité avec la directive DEEE et mise au rebut des déchets :

Ce produit est conforme à la directive DEEE (2012/19/UE) de l'Union européenne). Ce produit porte un symbole de classification pour la mise au rebut des équipements électriques et électroniques (DEEE).



Le présent produit a été fabriqué avec des pièces et du matériel de qualité supérieure susceptibles d'être réutilisés et adaptés au recyclage. Par conséquent, nous vous conseillons de

ne pas le mettre au rebut avec les ordures ménagères et d'autres déchets à la fin de sa durée de vie. Au contraire, rendez-vous dans un point de collecte pour le recyclage de tout matériel électrique et électronique. Veuillez vous rapprocher des autorités de votre localité pour plus d'informations concernant le point de collecte le plus proche.

Conformité avec la directive LdSD :

L'appareil que vous avez acheté est conforme à la directive LdSD (2011/65/UE) de l'Union européenne. Il ne comporte pas les matériaux dangereux et interdits mentionnés dans la directive.


1.2 Information sur l'emballage



L'emballage du produit est composé de matériaux recyclables, conformément à notre réglementation nationale. Ne jetez pas les éléments d'emballage avec les déchets domestiques et autres déchets. Déposez-les dans un des points de collecte d'éléments d'emballage que vous indiquera l'autorité locale dont vous dépendez.

2 Danger de mort - risque d'empoisonnement

2.1 Danger de mort - Risque d'empoisonnement

 **DANGER :** Risque d'empoisonnement dû aux gaz de combustion réabsorbés. À moins qu'une entrée d'air adéquate ne soit fournie lors de l'utilisation de l'air, n'utilisez pas l'appareil en même temps que des articles qui émettent des gaz toxiques dans des cuves telles que des poêles, des brûleurs, des chauffe-eau, etc. fonctionnant au gaz circulant, à l'huile, au bois ou au charbon.

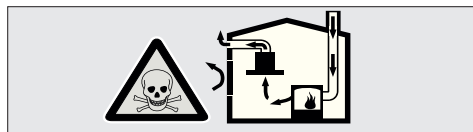



Figure 2 : Risque d'empoisonnement

 **DANGER :** Les articles de circulation d'air (par exemple, les poêles, les brûleurs, les chauffe-eau fonctionnant au gaz, à l'huile, au bois ou au charbon) retirent l'air de combustion du lieu d'installation et expulsent les gaz d'échappement à travers un système de gaz d'échappement (une cheminée, par exemple). L'air est absorbé de la cuisine et des pièces adjacentes par la hotte en marche. Le vide se produit si une entrée d'air adéquate n'est pas fournie. Dans ce cas, les gaz toxiques sont réabsorbés de la cheminée et du circuit des gaz d'échappement et rentrent dans la maison. Figure 2. Pour cette raison, il conviendra d'assurer en permanence une arrivée d'air frais adéquate. Figure 3

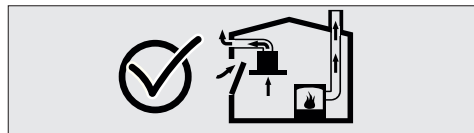




Figure 3

 **DANGER :** Risque d'incendie ! En raison des étincelles flottantes. L'installation de l'appareil sur un élément chauffant alimenté par des carburants solides (par ex. bois ou charbon) n'est autorisée que si un couvercle non-détachable est prévu. La réglementation et les règlements actuels en matière de construction pour les entreprises locales d'approvisionnement en électricité et en eau doivent faire l'objet d'une attention particulière pendant l'installation. Si l'appareil n'est pas nettoyé conformément aux instructions de nettoyage, il peut provoquer un incendie.

 **DANGER :** Risque d'incendie ! En raison des étincelles flottantes. L'installation de l'appareil sur un élément chauffant alimenté par des carburants solides (par ex. bois ou charbon) n'est autorisée que si un couvercle non-détachable est prévu. La réglementation et les règlements actuels en matière de construction pour les entreprises locales d'approvisionnement en électricité et en eau doivent faire l'objet d'une attention particulière pendant l'installation. Si l'appareil n'est pas nettoyé conformément aux instructions de nettoyage, il peut provoquer un incendie.



DANGER : Risque d'électrocution ! En raison des câbles d'alimentation endommagés. Ne pliez pas ou ne tordez pas le câble d'alimentation pendant l'installation.



DANGER : Risque de blessure !
 – Les bords tranchants de l'appareil peuvent causer des blessures pendant l'installation. Utilisez toujours des gants de sécurité tout au long du procédé d'installation de l'appareil.
 – Pour éviter toute chute de l'appareil, montez les boulons et les couvercles de sécurité comme décrit dans le manuel d'utilisation.



DANGER : Risque de brûlure et d'électrocution !
 - Attendez que l'appareil refroidisse avant de procéder au nettoyage ou à l'entretien. Déconnectez le fusible ou débranchez-le du secteur.
 – Les infiltrations d'humidité dans les pièces électroniques peuvent causer des dégâts. Ne nettoyez jamais les éléments de contrôle avec un tissu humide.
 – Un nettoyage inadéquat peut endommager la surface de l'appareil. Nettoyez les surfaces en acier inoxydable seulement dans la direction de brossage. N'utilisez pas de nettoyeurs en acier inoxydable sur les éléments de contrôle.
 – La surface peut être endommagée par des agents de nettoyage abrasifs ou agressifs. N'utilisez jamais d'agents de nettoyage agressifs et abrasifs.



DANGER : Risque d'incendie et de blessure ! Déconnectez le fusible ou débranchez votre appareil du secteur pendant les travaux de réparation. Les réparations doivent toujours être effectuées par un centre de service agréé ou un personnel spécialisé autorisé uniquement.



En cas de panne ou de dommages sur l'appareil, débranchez le fusible ou débranchez votre appareil du secteur et appelez le service autorisé.



Si le câble d'alimentation est endommagé, faites-le remplacer par le fabricant, son agence d'entretien ou toute autre personne qualifiée, pour éviter tout danger.



Lorsque les ampoules de l'appareil sont endommagées, débranchez le fusible ou débranchez votre appareil du secteur. Pour éviter de surcharger les autres ampoules, remplacez immédiatement les ampoules défectueuses (attendez que l'ampoule refroidisse).

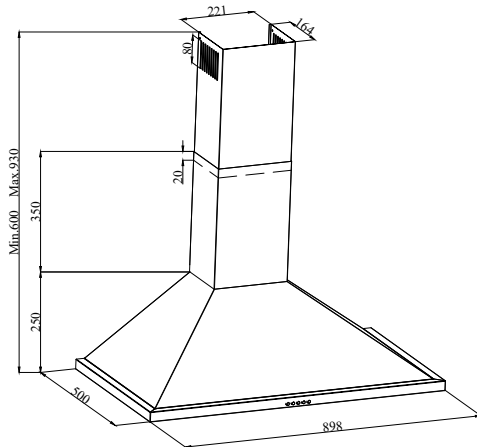
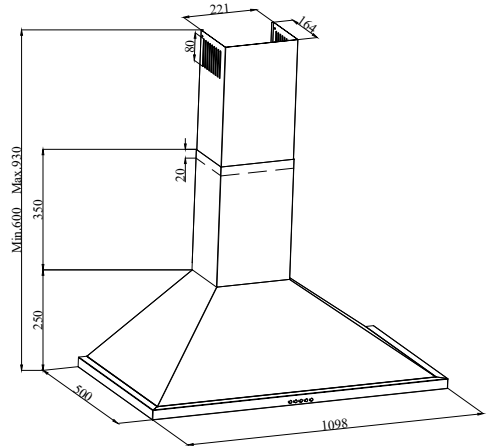
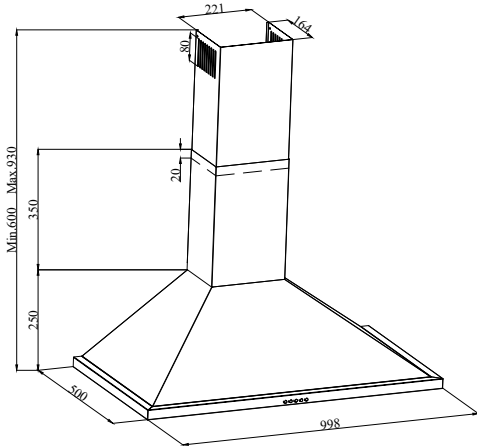


ATTENTION : Lorsqu'elles sont utilisées ensemble avec des cuisinières, les pièces accessibles peuvent chauffer.



DANGER : Le tuyau de sortie d'air de cet appareil ne doit jamais être connecté à l'intérieur de la cheminée, qui est utilisée pour expulser les fumées émanant des appareils fonctionnant au gaz ou à d'autres combustibles.

3 Spécifications techniques de l'appareil



Les inscriptions sur le produit ou les valeurs indiquées sur la documentation fournie avec le produit sont des valeurs obtenues dans des conditions de laboratoire conformément aux normes en vigueur. Ces valeurs peuvent varier selon l'utilisation du produit et les conditions environnantes.

4 Utilisation avec ou sans filtre à charbon

4.1 Remplacement du filtre à charbon

Lorsque vous ne disposez pas de cheminée, utilisez le filtre à charbon pour renvoyer l'air intérieur par refiltrage. Obtenez le filtre à charbon actif auprès du service ou de votre revendeur. Débranchez l'appareil avant le remplacement du filtre à charbon. Étant donné que le filtre à charbon est utilisé dans la cuisine sans sortie de cheminée, vous devez le remplacer tous les 3 à 5 mois lorsqu'il est utilisé. Ne lavez jamais le filtre à charbon. Dans tous les cas, fixez les filtres à huile sur l'appareil, que vous utilisiez un filtre à charbon ou non. N'utilisez pas votre appareil sans filtre à huile.



DANGER : Ne lavez jamais les filtres à charbon. Conservez les filtres à charbon hors de la portée des enfants.

4.2 Remplacement du filtre à charbon

L'appareil que vous avez acheté est compatible avec le filtre à charbon AF 90.

1. Placez le filtre à charbon dans son emplacement.

Figure 4

2. Tournez le filtre à charbon dans le sens horaire et veillez à ce qu'il soit complètement inséré.

Figure 4

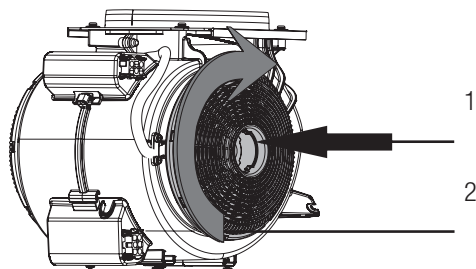


Figure 4 : Filtre à charbon



S'il n'est pas correctement inséré, il peut tomber et endommager votre appareil.

MISE EN GARDE: Les travaux d'entretien et de nettoyage ne doivent pas être effectués par des enfants sans supervision.

- La surface peut être endommagée par des agents de nettoyage agressifs et abrasifs. N'utilisez jamais d'agents de nettoyage agressifs et abrasifs. Procurez-vous des agents de nettoyage et de protection appropriés pour votre appareil auprès du service agréé. La surface de l'appareil et les unités de commande sont sensibles aux risques de rayures.

Nettoyez les surfaces à l'aide d'un chiffon humide, doux, d'un détergent pour vaisselle ou d'un produit de nettoyage pour verre doux. Enlevez la saleté sèche et collante à l'aide d'un chiffon humide. Évitez de le gratter!

- L'utilisation des chiffons et éponges secs qui peuvent gratter l'appareil, des agents qui nécessitent des frottements, des agents de nettoyage qui contiennent du sable, du soda, de l'acide ou du chlore, ou d'autres matériaux solides n'est pas appropriée.

- Nettoyez les surfaces en acier inoxydable uniquement dans le sens d'affûtage.

- N'utilisez pas de nettoyeurs pour acier inoxydable et des chiffons humides pour les unités de commande. Nettoyage des filtres à huile métalliques Les filtres à huile métalliques retiennent les particules huileuses présentes dans l'humidité et la vapeur de la cuisine. Dans des conditions d'utilisation normale (1 à 2 heures par jour), nettoyez les filtres à huile métalliques tous les trois mois.

- N'utilisez pas des nettoyeurs à base de solution acide et chlorée extrêmement puissante.

- Lors du nettoyage du filtre à huile métallique, nettoyez également les dispositifs de piégeage des filtres à huile métalliques de l'appareil à l'aide d'un chiffon humide.

- Vous pouvez nettoyer les filtres à huile métalliques dans le lave-vaisselle ou à la main.



5.1 Lavage au lave-vaisselle

Le lavage au lave-vaisselle peut entraîner la décoloration du filtre. Cependant, elle n'a aucun effet sur la fonction du filtre à huile en métal.

- Évitez de laver les filtres à huile métalliques très sales avec les plats.

- Placez les filtres à huile métalliques dans le lave-vaisselle sans les serrer et en position verticale. Placez les filtres à huile métalliques dans le lave-vaisselle sans les comprimer.

5.2 Lavage à la main

Ramollissez les taches du filtre à huile métallique dans de l'eau chaude contenant un détergent liquide pour vaisselle.

– Utilisez une brosse de nettoyage et laissez les liquides présents sur les filtres à huile métalliques s'écouler complètement.

– Rincez correctement les filtres après le nettoyage.

Vous pouvez utiliser un solvant pour huile spécial pour éliminer les taches rebelles. Vous pouvez obtenir ce produit auprès d'un centre de vente agréé.

6 Installation du dispositif

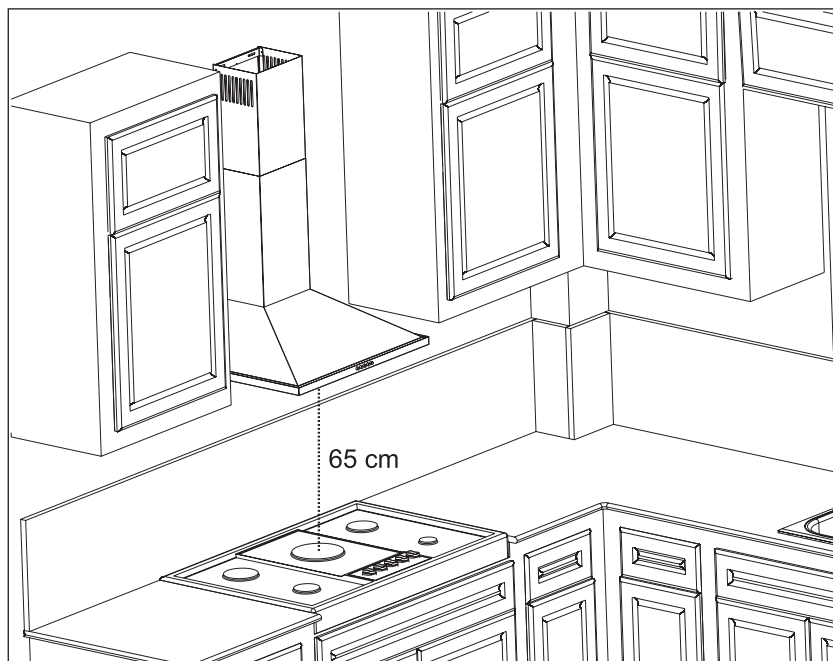


Figure 5 : Installation de l'appareil

Lors de l'installation, laissez un espace d'au moins 65 cm entre la hotte et les cuisinières électriques, ainsi que les cuisinières fonctionnant avec le gaz ou autres combustibles. Figure 5

6 Installation du dispositif

6.1 Schéma d'installation

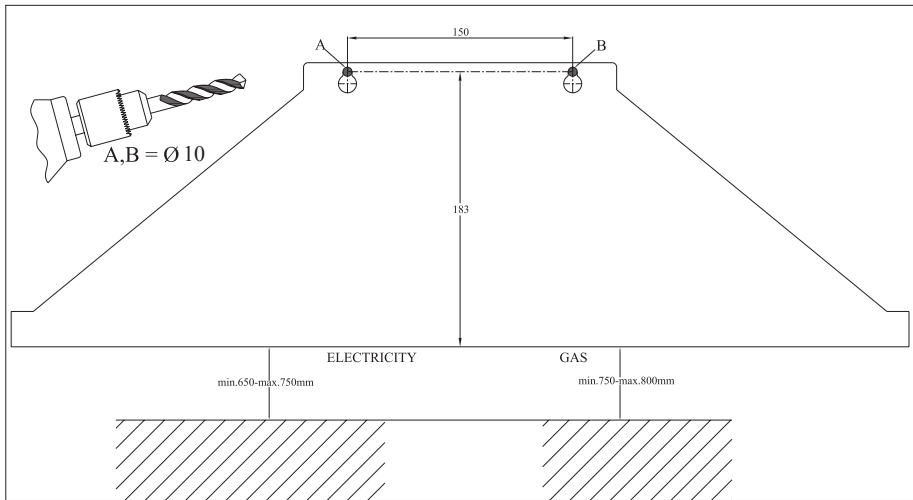


Figure 6 : Schéma d'installation

6.2 Installation et déballage

Vérifiez que votre appareil ne présente aucun dommage.

- Rapportez immédiatement les dommages liés au transport auprès du responsable de l'expédition.
- Signalez également les défauts visibles auprès du vendeur.
- Ne laissez pas les enfants jouer avec les matériaux d'emballage.

Changez régulièrement les filtres à charbon.

- Nettoyez régulièrement les filtres en aluminium. Vous devriez faire fonctionner votre appareil à des niveaux élevés étant donné que lorsque le filtre est sale, il peut bloquer l'entrée d'air.
- Utilisez correctement les niveaux de l'appareil.
- L'utilisation de l'appareil à des niveaux élevés augmente votre consommation énergétique.

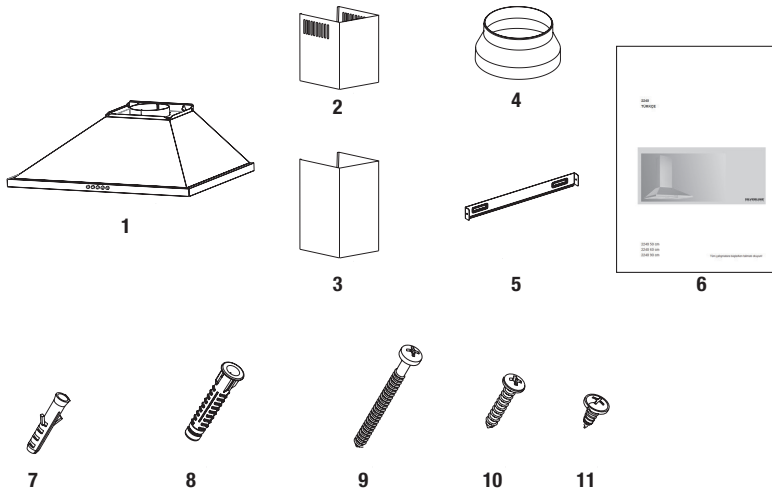


Figure 7 : Contenu de l'emballage

1. Produit
2. Cheminée interne
3. Cheminée externe
4. Adaptateur de cheminée en plastique de 150/120 mm
5. Plaque métallique de la connexion de la cheminée
6. Manuel d'utilisation
7. Broche en plastique de 6 mm de diamètre
8. Broche en plastique de 10 mm de diamètre
9. Vis de montage mural 5,5 x 60
10. Vis de la plaque de connexion de la cheminée 3,9 x 22
11. Vis de connexion de la cheminée 3,5 x 9,5

8 Aperçu de la hotte

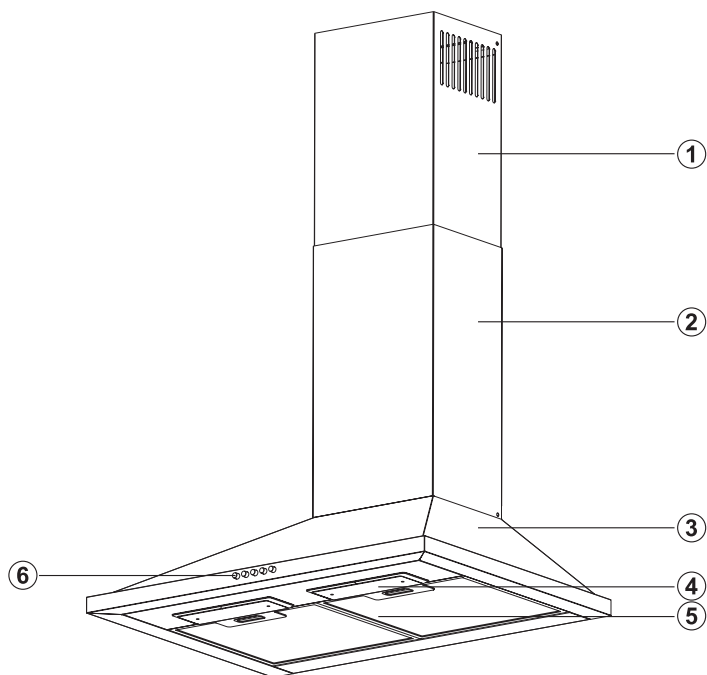


Figure 8 : Aperçu de la hotte

1. Cheminée interne
2. Cheminée externe
3. Corps
4. Allumage de la cuisinière
5. Filtre en aluminium
6. Panneau de commande

9 Installation du produit

9.1 Schéma et pièces d'installation

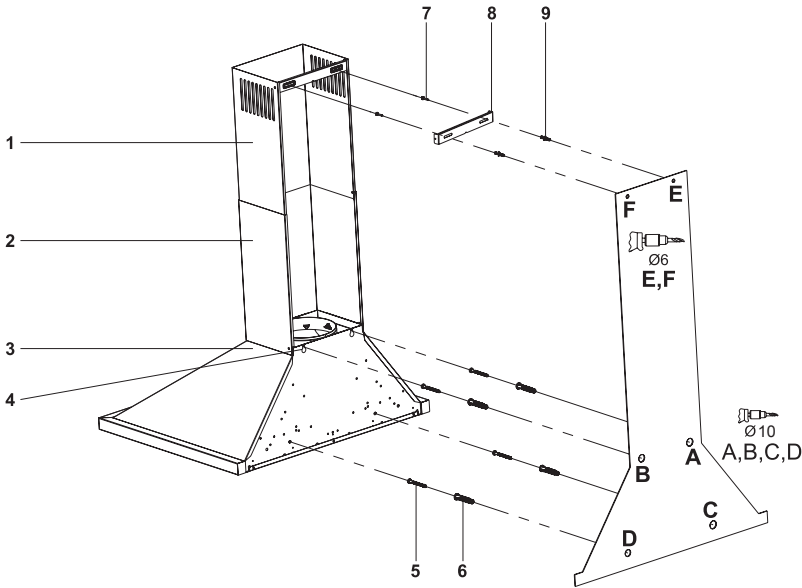


Figure 9 : Installation et pièces

1. Cheminée interne
2. Cheminée externe
3. Corps
4. Grille de cuisson du produit
5. Vis du support mural 2 x 5,5 x 60
6. Broche en plastique de 2 x 10 mm de diamètre
7. Vis 2x 3,9x22
8. Plaque métallique de la connexion de la cheminée
9. Broche en plastique de 2 x 6 mm de diamètre

Installez la hotte à l'aide du schéma d'installation.

- Vérifiez la distance minimale et maximale en fonction du plan de travail et percez des trous sur les points marqués A, B. (Figure 9)
- Placez les broches de 10 mm de diamètre sur les trous A et B et fixez-les y à l'aide des vis en laissant un espace de 5 mm entre la tête de vis et le mur. (Figure 9)
- Accrochez la hotte au mur conformément aux points marqués A, B.

10 Montage de l'empilement de plaques

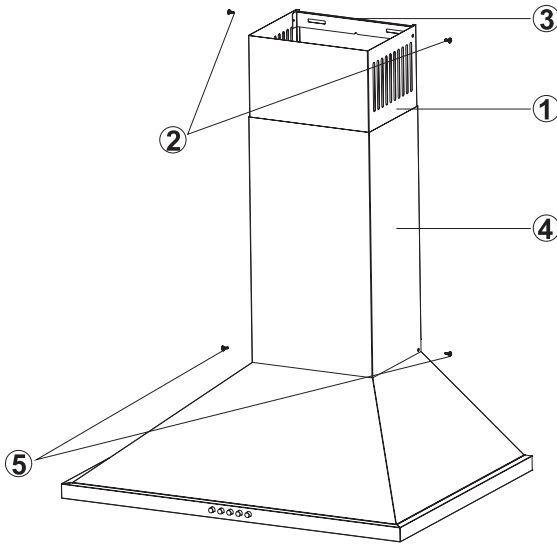


Figure 10 : Montage de l'empilement de plaques

1. Cheminée interne
2. Vis de fixation de la plaque de connexion de la cheminée
3. Plaque métallique de la connexion de la cheminée
4. Cheminée externe
5. Vis de connexion de la cheminée externe

Installez le dispositif d'évacuation d'air de l'appareil. Les empilements de plaques interne et externe sont insérés l'un dans l'autre. « Schéma et pièces d'installation ». Placez la plaque de connexion de la cheminée (3) au centre de la hotte, maintenez-la sous le couvercle, prenez les mesures et marquez les points C, D (Figure 10)

- Percez des trous de 6 mm de diamètre sur les points marqués C, D et placez-y des broches de 6 mm de diamètre. Placez la plaque de connexion de la cheminée sur la surface où des vis de 3,9 x 22 seront fixées. (Figure 10)

- Retirez la cheminée interne (1) à l'aide des vis (2) et fixez-la sur la plaque de connexion de la cheminée à gauche et à droite (3) (Figure 10)
- Fixez la cheminée externe (4) sur le corps de la hotte à l'aide de 2 vis (5). (Figure 10)

11 Utilisation du produit

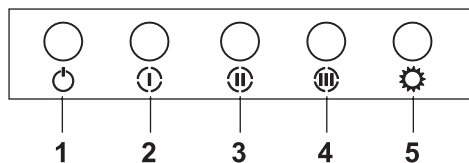


Figure 11 : Bouton-poussoir

1. Appuyez sur ce bouton pour restaurer les paramètres par défaut de votre produit.
2. Lorsque vous appuyez sur ce bouton, la vitesse du produit reste au premier niveau.
3. Lorsque vous appuyez sur ce bouton, le produit passe au deuxième niveau de vitesse.
4. Lorsque vous appuyez sur ce bouton, le produit passe au troisième niveau de vitesse.
5. Appuyez sur ce bouton pour allumer et éteindre la lampe

12 Remplacement de la lampe



DANGER : Débranchez la hotte de la source d'alimentation. Veuillez patienter que les lampes refroidissent car elles pourraient vous brûler les mains

12.1 Remplacement de la lampe LED

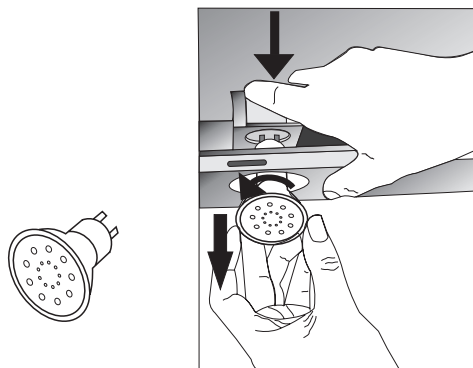


Figure 13 : Remplacement de la lampe LED.

Retirez le filtre à cartouche en aluminium. Retirez l'ampoule défectueuse et remplacez-la par une nouvelle de puissance identique. Fig 13

13 Service agréé

L'éclairage ne fonctionne pas

- Assurez-vous que l'appareil est branché et que les fusibles sont en bon état.
- Vérifiez les ampoules. Assurez-vous de débrancher l'appareil avant cette vérification. Serrez les lampes si elles sont desserrées. Remplacez-les si elles ne fonctionnent toujours pas.

Pannes éventuelles et mesures à prendre sans l'assistance du service d'entretien :

- L'appareil ne fonctionne pas du tout.
 - Vérifiez que l'appareil est branché ou que la fiche est correctement fixée dans la prise.
 - Vérifiez le disjoncteur de l'appareil ou le disjoncteur principal de votre maison.

Si les performances de l'appareil sont faibles ou s'il émet des bruits assourdissants pendant le fonctionnement :

- le diamètre de la cheminée de l'appareil est-il suffisant ? (min.120 mm).
- Les filtres métalliques sont-ils propres ? Vérifiez.
- Si vous utilisez une hotte sans cheminée, assurez-vous que les filtres à charbon ne datent pas de plus de 6 mois.
- Veillez à ce que la cuisine soit suffisamment aérée pour permettre une bonne circulation d'air. Si vous n'êtes toujours pas satisfait de la performance de votre appareil, contactez le service agréé.

13 Service agréé

13.1 Schéma et pièces d'installation

Dépannage	Cause	Aide
L'appareil ne fonctionne pas	Vérifiez la connexion électrique	La tension secteur doit être de 220-240 V et l'appareil doit être connecté à une prise de mise à la terre
La lampe d'éclairage ne fonctionne pas	Vérifiez la connexion électrique	La tension secteur doit être de 220-240 V et l'appareil doit être connecté à une prise de mise à la terre
La lampe d'éclairage ne fonctionne pas	Vérifiez l'interrupteur de la lampe	L'interrupteur de la lampe doit être sur « on ».
La lampe d'éclairage ne fonctionne pas	Vérifiez les lampes	Les lampes de l'appareil ne doivent pas être défectueuses.
L'admission d'air de l'appareil est faible	Vérifiez le filtre en aluminium	Le filtre à cartouche en aluminium doit être normalement lavé au moins une fois par mois
L'admission d'air de l'appareil est faible	Vérifiez la cheminée d'évacuation d'air	La cheminée d'évacuation d'air doit être ouverte
L'admission d'air de l'appareil est faible	Vérifiez le filtre à charbon	Pour les appareils utilisant des filtres à charbon, ceux-ci doivent être remplacés chaque 3 mois dans des conditions normales
L'appareil n'évacue pas l'air (Utilisation sans cheminée)	Vérifiez le filtre en aluminium	Le filtre à cartouche en aluminium doit être normalement lavé au moins une fois par mois
L'appareil n'évacue pas l'air (Utilisation sans cheminée)	Vérifiez le filtre à charbon	Pour les appareils utilisant des filtres à charbon, ceux-ci doivent être remplacés chaque 3 mois dans des conditions normales

13.2 Plan technique

Tension d'alimentation	220 - 240 V ~ 50Hz
Classe d'isolation du moteur	F
Classe d'isolation	CLASSE I

Lees deze handleiding eerst!


Beste klant,

Dank u voor het kiezen van een product van Beko. We hopen dat u het beste haalt uit uw product, dat vervaardigd is met de modernste technologie van hoge kwaliteit. Lees daarom deze gehele gebruikershandleiding en alle andere bijgeleverde documenten zorgvuldig door voordat u het product gaat gebruiken en bewaar deze ter referentie in de toekomst. Als u het product aan iemand anders geeft, overhandig dan ook de gebruikershandleiding. Volg alle waarschuwingen en informatie in de gebruikershandleiding op.

Onthoud dat deze gebruikershandleiding ook van toepassing is op verschillende andere modellen. De verschillen tussen de modellen worden in de handleiding uitdrukkelijk omschreven.

Betekenis van de symbolen

De volgende symbolen worden gebruikt in de verschillende delen van deze handleiding:

	Belangrijke informatie en nuttige aanwijzingen voor gebruik.
	WAARSCHUWING: Waarschuwingen voor levensgevaarlijke situaties en schade aan eigendommen.
	GEVAAR: Waarschuwingen voor levensgevaarlijke situaties en schade aan eigendommen.



Dit product is in een milieuvriendelijke, moderne faciliteit geproduceerd zonder het milieu op geen enkele manier te schaden.

Dit apparaat voldoet aan de WEEE-regelgeving.



Het bevat geen pcb.

Dit apparaat mag alleen worden gebruikt door kinderen ouder dan 8 en door personen zonder een fysieke, sensorische of motorische beperking of die onvoldoende ervaring en kennis hebben indien onder supervisie of na het geven van instructies betreffende het veilige gebruik en die zich niet bewust zijn van de mogelijke gevaren.

- Dit product is bedoeld voor huishoudelijk gebruik. Gebruiksspanning van dit apparaat is 220-240 Volt~50 Hz. Het netsnoer van het apparaat is voorzien van een aardgeleiding. Het netsnoer moet worden aangesloten op een geaard stopcontact.
- Alle elektrische aansluitingen moeten worden uitgevoerd door een erkend technicus.
- Indien het apparaat niet correct wordt geïnstalleerd kunnen de prestaties minder zijn, kan het apparaat worden beschadigd en kunnen er ongelukken optreden.

- Het netsnoer van het apparaat mag tijdens de installatie nooit worden geklemd of geplet. Het netsnoer mag niet langs fornuizen worden geleid. Hierdoor kan het smelten waardoor brand kan ontstaan.
- Steek de stekker nooit in het stopcontact voor de volledige installatieprocedure is uitgevoerd.
- Zorg ervoor dat de stekker altijd goed bereikbaar is zodat het apparaat in geval van nood gemakkelijk van het net kan worden losgekoppeld.
- Raak de lamp van het apparaat nooit aan als dit lang heeft gebrand. Lampen kunnen heel warm worden en kunnen bijgevolg uw handen verbranden.

- Keukenafzuigkappen zijn bedoeld voor huishoudelijk gebruik en mogen alleen worden gebruikt bij het conventionele koken. Als de afzuigkap voor andere doeleinden wordt gebruikt kan het apparaat defect raken en vervalt de garantie.
- Volg de richtlijnen en instructies betreffende de luchtafvoer van de lokale overheden. (Dit is niet geldig indien gebruikt zonder afvoerkanaal).
- Voedsel dat tijdens het koken vuur kan vatten mag niet onder dit apparaat worden gekookt.
- Start het apparaat nadat u potten en pannen op het fornuis hebt geplaatst. Als u dit niet doet kan de warmte vervorming veroorzaken in bepaalde delen van uw apparaat.
- Zet het apparaat uit zodra alle potten en pannen van het fornuis zijn verwijderd.
- Laat hete olie nooit onbeheerd op het fornuis staan. Pannen met hete olie kunnen zelf ontbranden en kunnen zo vuur veroorzaken.
- Tijdens het bakken kan olie vuur vatten. Wees voorzichtig met gordijnen en kleding.
- Zorg ervoor om filters regelmatig en tijdig te vervangen. Filters die niet tijdig worden vervangen kunnen een brandrisico inhouden omdat er olie kan in achterblijven.
- Gebruik geen niet-vuurbestendig filtermateriaal in de plaats van de gewone filters.
- Gebruik het product nooit zonder filter.
- Verwijder de filters niet terwijl het product in gebruik is.
- Koppel afzuigkap en fornuis los bij brand. (Trek de stekker uit het stopcontact of schakel de hoofdzekering uit).
- Als u het apparaat niet regelmatig schoonmaakt kan er brandgevaar ontstaan.

- Trek de stekker uit het stopcontact voor u van start gaat met onderhoudswerken. (Trek de stekker uit het stopcontact of schakel de hoofdzekering uit).
- Terwijl afzuigkappen en apparaten in dienst zijn die werken op andere energiebronnen dan elektriciteit mag de negatieve druk in de kamer niet hoger oplopen dan 4 Pa (4x 10 bar).
- Indien er apparaten op gas zoals kamerverwarmers in gebruik zijn in de zone waar dit apparaat wordt gebruikt, moet de luchtafvoer van deze apparaten volledig zijn gescheiden of moet het apparaat luchtdicht zijn.
- Gebruik kanalen met een diameter 150 of 120 mm als afvoerkanaal van uw apparaat. De buisaansluiting moet zo kort mogelijk zijn. Gebruik zo weinig mogelijk bochten.
- Kinderen mogen niet met het apparaat spelen.
- Voor uw veiligheid moet u een zekering van max. 6 A gebruiken.
- Houd alle verpakkingsmaterialen uit de buurt van kinderen. Het verpakkingsmateriaal kan gevaarlijk zijn.
- Als het netsnoer is beschadigd, moet het worden vervangen door personeel van de fabrikant of van een erkende installateur om alle gevaar te vermijden.
- Bij brand moet u de stekker van de afzuigkap van het fornuis uit het stopcontact trekken en moet u de vlammen bedekken. Gebruik nooit water om de vlammen te doven.
- Toegankelijke delen kunnen heet zijn wanneer het fornuis in gebruik is.

- Dit apparaat is niet bedoeld om te worden gebruikt door personen met een fysieke, sensorische of mentale beperking en kinderen. Ook personen met een beperkt begrip of weinig ervaring mogen het apparaat niet gebruiken tenzij ze worden begeleid en geïnstrueerd door een verantwoordelijk persoon die hen op de hoogte brengt van de veiligheidsinstructies.
- Na installatie van de afzuigkap moet er minimaal een vrije afstand zijn van 65 cm tussen het product en fornuizen op elektriciteit, op gas of op een andere brandstof.
- De rookafvoer van de afzuigkap mag niet worden aangesloten op een ander luchtkanaal waarin al rook wordt afgevoerd.
- Wees erg voorzichtig wanneer het apparaat wordt gebruikt met andere apparaten die werken op lucht en brandstof (zoals verwarmingsinstallaties en waterverwarmers die werken op gas, dieselbrandstof, kolen of hout). Het verbrandingsmengsel kan veranderen door de afvoer van lucht afkomstig van de afzuigkap in de kameratmosfeer.
- Dit is niet geldig indien gebruikt zonder afvoerkanaal.
- De kamer moet voldoende worden geventileerd wanneer fornuizen, afzuigkap en andere apparaten op gas of andere brandstoffen tegelijk worden gebruikt (dit is mogelijk niet van toepassing voor apparaten die de lucht in de kamer doen circuleren).

1.1 Voldoet aan de WEEE-richtlijn en de richtlijnen voor afvoeren van het restproduct:

Dit product voldoet aan de EU-richtlijn WEEE (2012/19/EU). Dit product is voorzien van een classificatiesymbool voor afvalsortering van elektrische en elektronische apparatuur (WEEE).



Dit product werd vervaardigd uit onderdelen en materialen van hoge kwaliteit die hergebruikt kunnen worden en geschikt zijn voor recycling.

Gooi het restproduct aan het einde van zijn levensduur niet weg bij normaal huishoudelijk of ander afval. Breng het naar het verzamelpunt voor recycling van elektrische en elektronische apparatuur. Raadpleeg uw plaatselijke autoriteiten om te weten waar u deze verzamelpunten aantreft.

Voldoet aan RoHS-richtlijn:

Het door u aangekochte product voldoet aan de EU-richtlijn RoHS (2011/65/EU). Het bevat geen schadelijke en verboden materialen die in deze richtlijn zijn opgenomen.

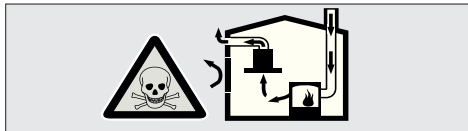
1.2 Verpakkingsinformatie



Het verpakkingsmateriaal van het product is vervaardigd uit gerecyclede materialen overeenkomstig onze nationale regelgeving. Gooi het verpakkingsmateriaal niet weg met het huishoudelijk of ander afval. Breng het naar een door de gemeente aangewezen verzamelpunt voor verpakkingsmateriaal.

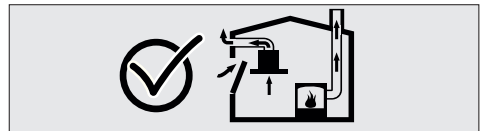
2.1 Doodsgevaar en gevaar voor vergiftiging

 **GEVAAR:** Gevaar voor vergiftiging door de inademing van verbrandingsgassen. Tenzij een geschikte luchtaanvoer is voorzien tijdens het gebruik van de luchtuitgang mag het apparaat niet samen worden gebruikt met toestellen die giftige dampen uitstoten via luchtkanalen zoals kachels, branders, waterverwarmers enz. die gebruik maken van de luchtcirculatie van gas, stookolie, hout of kolen.



Afbeelding 2: Gevaar voor vergiftiging

 **GEVAAR:** Producten met luchtcirculatie (zoals kachels, verbrandingsapparaten, waterverwarmers die werken op gas, stookolie, hout of kolen) nemen hun verbrandingslucht af van de plaats van installatie en stoten de uitlaatgassen uit via een uitlaat of een luchtafvoer voor verbrandingsgassen (bijv. een rookkanaal). Wanneer de afzuigkap in werking is wordt de lucht opgenomen van de keuken en de naastliggende kamers. Wanneer geen lucht wordt aangevoerd ontstaat een vacuüm. In dergelijke gevallen kunnen giftige gassen van het rookkanaal en de luchtafvoer worden aangezogen waardoor de giftige gassen terug in de woonkamer kunnen stromen. Afbeelding 2. Daarom moet er altijd worden gezorgd voor een degelijke aanvoer van verse lucht. Afbeelding 3



Afbeelding 3



GEVAAR: Brandgevaar! Ten gevolge van vuurspatten. De installatie van een apparaat op de verwarmingsuitrusting met vaste brandstof (bijvoorbeeld hout of kolen) is alleen toegelaten indien het apparaat is voorzien van een niet-wegneembaar deksel. Bijgewerkte actuele bouwvoorschriften betreffende lokale elektriciteitsbedrijven en watermaatschappijen moeten bij de installatie in acht worden genomen. Indien het apparaat niet wordt schoongemaakt overeenkomstig de reinigingsinstructies van de fabrikant kan brand ontstaan.



GEVAAR: Brandgevaar! Ten gevolge van vuurspatten. De installatie van een apparaat op de verwarmingsuitrusting met vaste brandstof (bijvoorbeeld hout of kolen) is alleen toegelaten indien het apparaat is voorzien van een niet-wegneembaar deksel. Bijgewerkte actuele bouwvoorschriften betreffende lokale elektriciteitsbedrijven en watermaatschappijen moeten bij de installatie in acht worden genomen. Indien het apparaat niet wordt schoongemaakt overeenkomstig de reinigingsinstructies van de fabrikant kan brand ontstaan.



GEVAAR: Gevaar voor elektrocutie! Door een beschadigd netsnoer. Plooi of klem het netsnoer niet tijdens de installatie.



GEVAAR: Gevaar voor letsel!

- Door de scherpe randen is er gevaar voor letsel tijdens de installatie. Gebruik altijd veiligheidshandschoenen tijdens de montagewerken van het apparaat.
- Alle veiligheidsbouten en veiligheidskappen moeten worden gemonteerd zoals beschreven in de gebruiksaanwijzing. Als u dit niet doet, is er valgevaar.



GEVAAR: Brandgevaar en gevaar voor elektrocutie!

- Wacht tot het apparaat helemaal is afgekoeld voor u start met schoonmaak- of onderhoudswerkzaamheden. Koppel de zekering los of trek de stekker uit het stopcontact.
- Er is gevaar voor schade ten gevolge van de neerslag van condensaat op de elektronische onderdelen. Maak de bedieningselementen nooit schoon met een vochtige doek.
- Door verkeerd schoon te maken kan het oppervlak worden beschadigd. Roestvrijstalen oppervlakken mogen alleen worden schoongemaakt in de borstelrichting. Gebruik geen reinigingsmiddelen voor roestvrij staal voor de bedieningselementen.
- Als u scherpe of schurende schoonmaakmiddelen gebruikt is er kans op schade aan het oppervlak. Gebruik nooit scherpe of schurende schoonmaakmiddelen.



GEVAAR: Brandgevaar, gevaar voor letsel! Koppel de zekering los of trek de stekker uit het stopcontact wanneer u uitgebreide onderhoudswerken of reparaties moet uitvoeren. Reparaties mogen alleen worden uitgevoerd door erkende servicetechnici of specialisten.



Wanneer het apparaat defect is of werd beschadigd, moet u de zekering loskoppelen en/of de stekker uit het stopcontact trekken en moet u contact opnemen met een erkende reparatiedienst.



Als het netsnoer is beschadigd, moet het worden vervangen door personeel van de fabrikant of van een erkende installateur om alle gevaar te vermijden.



Koppel de zekering los of trek de stekker uit het stopcontact wanneer u de lampjes in het apparaat moet vervangen. Om te voorkomen dat de andere lampjes oververhit raken moet het defecte lampje zo snel mogelijk worden vervangen (wacht wel tot het lampje is afgekoeld).

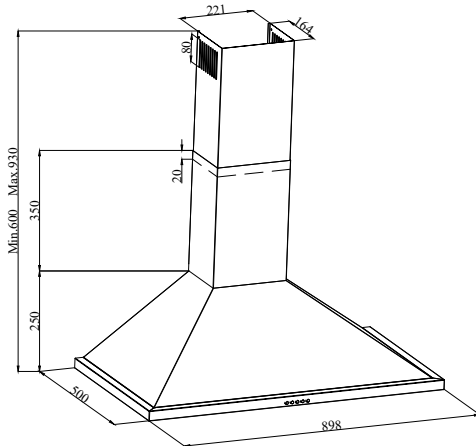
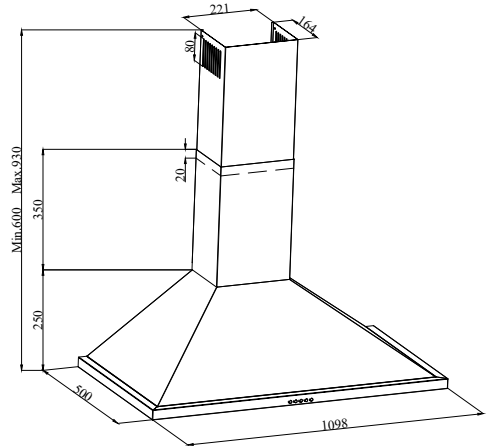
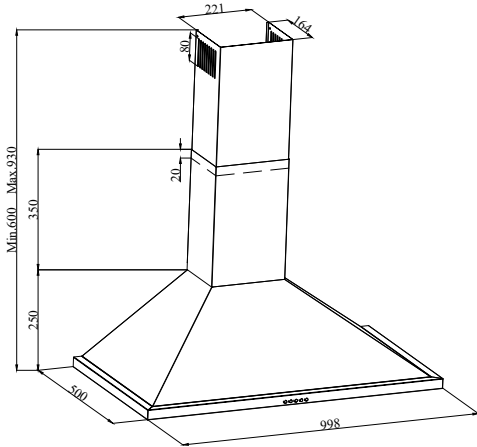


WAARSCHUWING: Tijdens het gebruik van een kooktoestel kunnen toegankelijke delen heet worden.



GEVAAR: De luchtuitleat van dit apparaat mag nooit met een rookkanaal worden verbonden dat wordt gebruikt om rook af te voeren afkomstig van een apparaat dat wordt gevoerd door een gast of door een andere fossiele brandstof.

3 Technische specificaties van uw apparaat



Markeringen op het product of de waarden in andere documenten die bij het product worden geleverd, zijn waarden die zijn verkregen onder laboratoriumomstandigheden, volgens de relevante normen. Deze waarden kunnen variëren afhankelijk van de werk- en milieuomstandigheden van het product.

4.1 Vervangen van het koolstoffilter

Indien gebruikt zonder rookkanaal moet een actieve koolstoffilter worden gebruikt om de binnenlucht na filtering terug in de kamer te sturen. Dit actief koolstoffilter is verkrijgbaar bij de fabrikant of bij uw installateur. Trek de stekker uit het stopcontact voor u het koolstoffilter vervangt. Vermits een koolstoffilter wordt gebruikt in keukens waar geen luchtafvoer is, moet dit afhankelijk van de gebruiksintensiteit om de drie tot vijf maanden worden vervangen. Koolstoffilters mogen nooit worden gewassen. In het geval het oliefilter aan een product is voorzien met deze ook worden gebruikt wanneer u een koolstoffilter gebruikt. Gebruik het product niet zonder oliefilter.

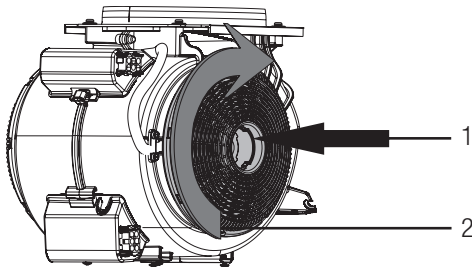


GEVAAR: Was koolstoffilters nooit uit. Houd koolstoffilters uit de buurt van kinderen.

4.2 Vervangen van het koolstoffilter

Het apparaat dat u hebt aangekocht is geschikt voor gebruik met een koolstoffilter AF 90.

1. Plaats het koolstoffilter in de behuizing.
Afbeelding 4
2. Draai het koolstoffilter naar rechts en kijk na of dit goed vastzit. Afbeelding 4



Afbeelding 4: Koolstoffilter



Als dit niet goed vastzit, kan het koolstoffilter uit het apparaat vallen en uw product beschadigen.

OPGELET: Reiniging en gebruikersonderhoud mogen niet worden uitgevoerd door kinderen tenzij onder toezicht.

- Als u scherpe of schurende schoonmaakmiddelen gebruikt is er kans op schade aan het oppervlak. Gebruik nooit scherpe of schurende schoonmaakmiddelen. Koop schoonmaakmiddelen en onderhoudsmiddelen die geschikt zijn voor uw product en koop ze aan bij een erkende installateur. Het oppervlak en de bedieningselementen zijn gevoelig voor krassen.

Reinig het apparaat uitsluitend met een vochtige, zachte doek een afwasmiddel voor vaatwassers of een zachte glasreiniger. Aangedroogd en vastzittend vuil moet met een vochtige doek worden verwijderd. Kras nooit vuil weg.

- Het gebruik van droge doeken, schuursponsjes of schoonmaakmiddelen die moeten worden uitgewreven, schoonmaakmiddelen met zand, zout, zuren, chlorine of andere sterke materialen wordt niet aanbevolen.

- Roestvrijstalen oppervlakken mogen alleen worden schoongemaakt in de korrelrichting.

- Gebruik geen reinigingsmiddelen voor roestvrij staal en natte doeken voor de bedieningselementen. Reinigen van de metalen oliefilters Gebruikte metalen oliefilters houden oliedeeltjes vast die in het vocht en stoom van de keuken zitten. Onder normaal gebruik (1 tot 2 uur per dag) moeten metalen oliefilters ongeveer om de drie maanden worden schoongemaakt.

- Gebruik geen sterke schoonmaakmiddelen die zuren of chloriden bevatten.

- Tijdens het reinigen van het metalen oliefilter moet ook de houders van de metalen oliefilters in het apparaat met een vochtige doek worden schoongemaakt.

- U kunt de metalen oliefilters in de vaatwasser schoonmaken of in een zeepsopje.

5.1 Schoonmaken in de vaatwasser

Als u de vaatwasser gebruikt, kan het zijn dat een lichte verkleuring optreedt. Dit heeft gevolgen voor de goede werking van het metalen oliefilter.

- Was ernstig vervuilde metalen oliefilters niet samen met het gewone servies en bestek.

- Plaats de metalen oliefilter los of vrijstaand in de vaatwasser. Metalen oliefilters moeten zonder enige druk in de vaatwasser worden geplaatst.

5.2 Handwas

Maak de vlekken op de metalen oliefilters los in warm afwaswater met vaatwasserdetergent.

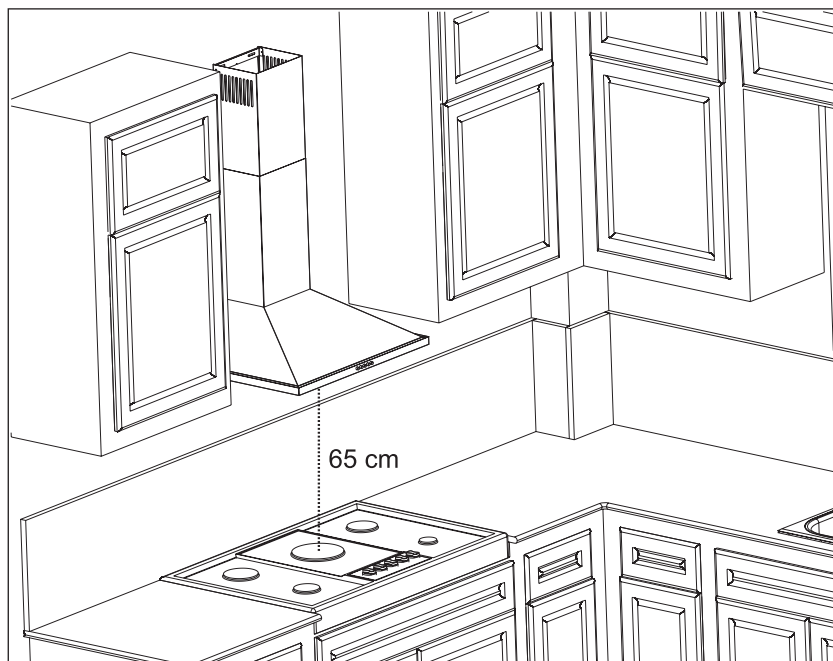
- Gebruik een borstel om het filter schoon te maken en laat het vloeistof in het metalen oliefilter helemaal leeglopen.

- Spoel de filters vervolgens goed uit.

Gebruik eventueel een speciaal olieoplosmiddel om hardnekkig vuil te verwijderen. U kunt dit product kopen bij een erkende dealer.



6. Installatie van het apparaat

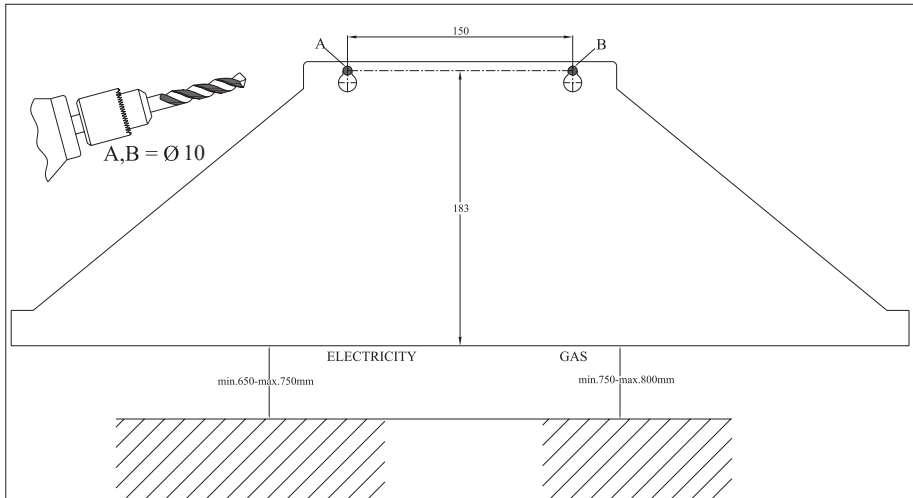


Afbeelding 5: Installatie van het apparaat

Na installatie van de afzuigkap moet er minimaal een vrije afstand zijn van 65 cm tussen het product en fornuizen op elektriciteit, op gas of op een andere brandstof. Afbeelding 5

6. Installatie van het apparaat

6.1 Installatieschema



Afbeelding 6: Installatieschema

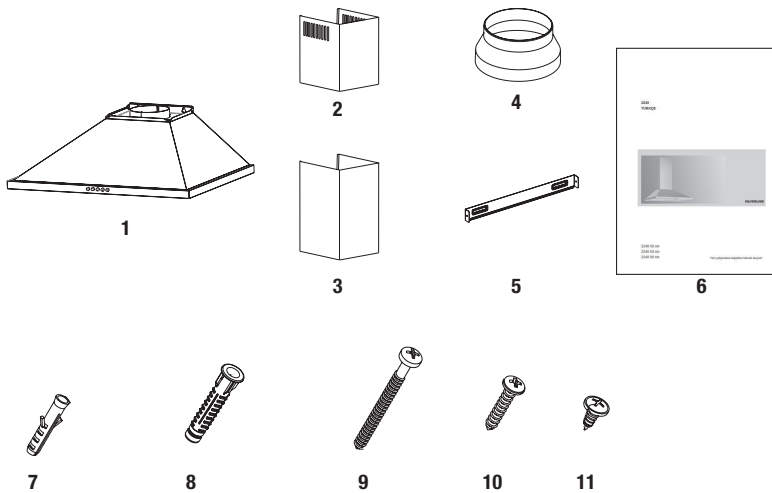
6.2 Installatie en uitpakken

Kijk eerst na of uw apparaat niet is beschadigd.

- Transportschade moet meteen worden gerapporteerd aan het transportbedrijf.
- Zichtbare schade moet eveneens aan de verkoper worden gemeld.
- Laat kinderen niet spelen met het verpakkingsmateriaal.

Vervang de koolstoffilters regelmatig.

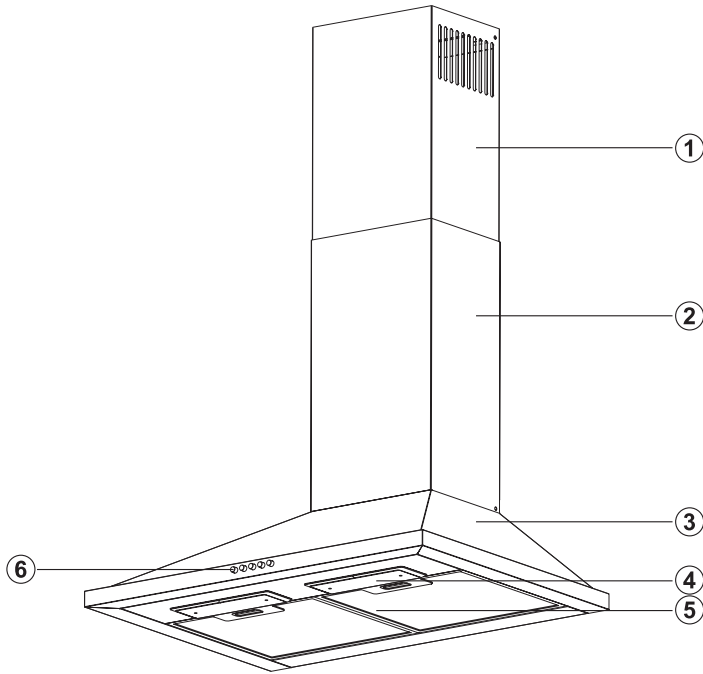
- Maak de aluminiumfilters regelmatig schoon. Mogelijk moet u het apparaat op een hoger volume gebruiken wanneer een vuil filter de luchtinlaat blokkeert.
- Gebruik uw apparaat altijd op het geschikte volume.
- Als u het apparaat gebruikt op hogere volumes, verhoogt het energieverbruik.



Afbeelding 7: In de verpakking

1. Product
2. Intern rookkanaal
3. Extern rookkanaal
4. 150/120 mm kunststof aansluitstuk voor rookkanaal
5. Metalen aansluiting voor het rookkanaal
6. Handleiding
7. Plug in kunststof Ø 6 mm
8. Plug in kunststof Ø 10 mm
9. Muurmontageschroef 5,5 x 60
10. Schroef voor aansluiting rookkanaal 3,9 x 22
11. Schroef voor aansluiting rookkanaal 3,5 x 9,5

8 Overzicht afzuigkap

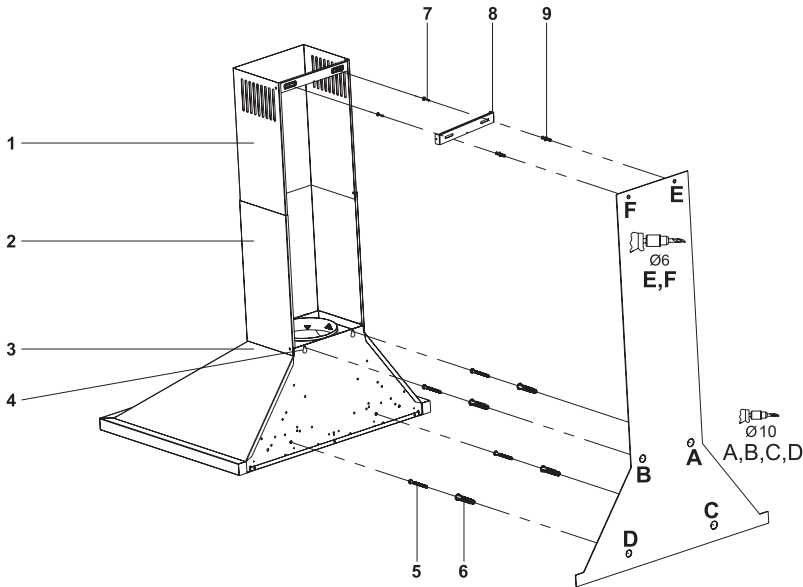


Afbeelding 8: Overzicht afzuigkap

1. Intern rookkanaal
2. Extern rookkanaal
3. Behuizing
4. Verlichting fornuis
5. Aluminium filter
6. Bedieningspaneel

9. Installatie van het product

9.1 Installatieschema en onderdelen



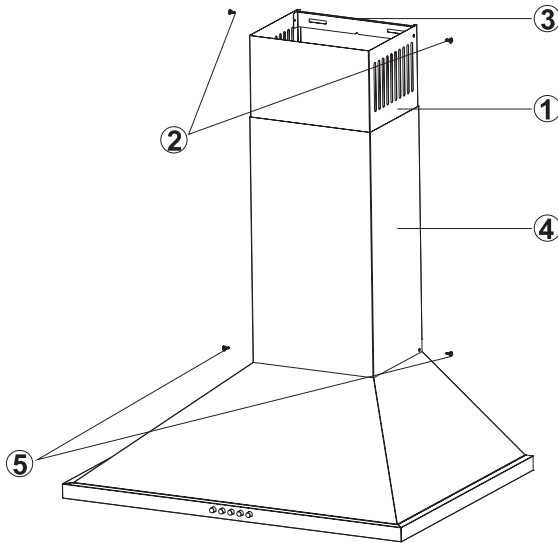
Afbeelding 9: Installatie en onderdelen

1. Intern rookkanaal
2. Extern rookkanaal
3. Behuizing
4. Plaatijzerrek product
5. 2x Muurrekschroef 5,5 x 60
6. 2x Plug in kunststof Ø 10 mm
7. 2x Schroef 3,9 x 22
8. Metalen aansluiting voor het rookkanaal
9. 2x Plug in kunststof Ø 6 mm

Installeer de afzuigkap met behulp van het installatieschema.

- Controleer de minimale en de maximale afstand volgens de tekening en de boorgaten A, B. (Afbeelding 9)

- Druk de pluggen van 10 mm in de boorgaten A en B en schroef de schroeven naar A+B vast. Laat een opening van 5 mm tussen de schroeven en de muur. (Afbeelding 9)
- Hang de afzuigkap aan de wand op de schroeven bevestigd in de boorgaten A en B.



Afbeelding 10: Montage van de montageplaten

1. Intern rookkanaal
2. Bevestigingsschroeven Intern rookkanaal
3. Metalen aansluiting voor het rookkanaal
4. Extern rookkanaal
5. Bevestigingsschroef extern rookkanaal

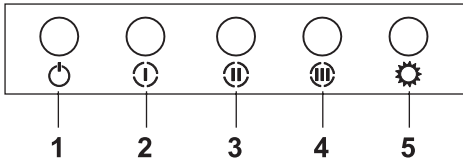
Montage luchtuitlaatverbinding van het apparaat. De interne en externe montageplaten worden aan elkaar bevestigd. “Installatieschema en onderdelen”. Centreer de metalen verbindingsplaat (3) of de afzuigkap en houd deze onder de kap of meet af en markeer de punten C en

D. (Afbeelding 10)

- Boor de gaten C en D met een boor van 6 mm en druk de pluggen van 6 mm in de boorgaten. Plaats de montageplaat voor het rookkanaal op het oppervlak waar de schroeven 3,9 x 22 zullen worden geplaatst. (Afbeelding 10)

- Trek het interne rookkanaal (1) uit door gebruik te maken van de schroeven (2) en schroef deze links en rechts op de montageplaat (3). (Afbeelding 10)
- Monteer het externe rookkanaal (4) op de behuizing van de afzuigkap met behulp van de twee schroeven (5). (Afbeelding 10)

11 Gebruik van het product



Afbeelding 11: Drukknop

1. Druk op deze knop om uw product te resetten.
2. Wanneer deze knop wordt ingedrukt, wordt het product ingeschakeld op snelheidsniveau 1.
3. Wanneer deze knop wordt ingedrukt, wordt het product ingeschakeld op snelheidsniveau 2.
4. Wanneer deze knop wordt ingedrukt, wordt het product ingeschakeld op snelheidsniveau 3.
5. Druk op deze knop om de verlichting op het apparaat in of uit te schakelen.

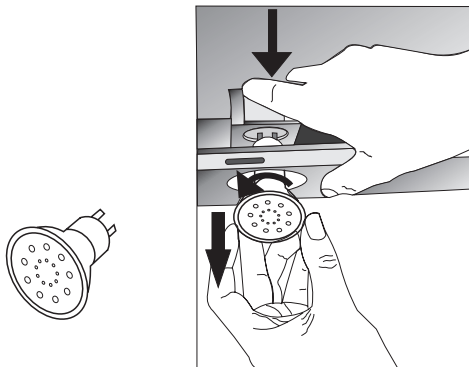
12 Lamp vervangen



GEVAAR: Trek de stekker van het apparaat uit het stopcontact. Wacht tot de lampjes zijn afgekoeld omdat u mogelijk uw handen kunt verbranden.

Afbeelding 13: Vervangen van het LED Verwijder het aluminium filterpatroon. Verwijder het defecte lampje en vervang het door een nieuwe met eenzelfde vermogen. Afb. 13

12.1 Vervangen van het LED



13 Erkende service

Als de verlichting niet werkt:

- Kijk eerst na of de stekker van het apparaat in het stopcontact zet en of de zekeringen niet zijn doorgebrand.
- Controleer de lampjes. Kijk na of de stekker nog in het stopcontact zit voor u deze controle uitvoert. Draai de lampjes vast als ze los zitten. Vervang ze als ze nog steeds niet werken.

Mogelijke defecten en acties die u kunt ondernemen voor u naar service belt:

- Apparaat werkt helemaal niet:
 - Kijk na of de stekker in het stopcontact zit en of de stekker goed in het stopcontact zit.
 - Controleer de zekering van het apparaat en ga ook na of de hoofdzekering van de woning nog is ingeschakeld.

Als het apparaat niet goed werkt of veel lawaai maakt:

- Is het apparaat voorzien van een voldoende groot afvoerkanaal (min. 120 mm)?
- Zijn de metalen filters schoon? Controleer dit.
- Als u het apparaat gebruikt zonder rookkanaal, kijk dan na of het koolstoffilter niet ouder is dan zes maanden.
- Kijk na of de keuken voldoende wordt verlucht. Als u nog steeds ontevreden bent over de prestaties van uw apparaat, neem dan contact op met service.

13 Erkende service

13.1 Installatieschema en onderdelen

Probleemoplossing	Oorzaak	Hulp
Product werkt niet	Controleer de elektrische aansluiting	De spanning moet 220 - 240 V zijn en het product moet zijn aangesloten op een aardgeleiding.
Verlichting werkt niet	Controleer de elektrische aansluiting	De spanning moet 220 - 240 V zijn en het product moet zijn aangesloten op een aardgeleiding.
Verlichting werkt niet	Controleer de verlichtingsschakelaar	De verlichtingsschakelaar moet op de positie "On" staan.
Verlichting werkt niet	Controleer de lampjes	De lampjes mogen niet defect zijn.
De luchtaanzuiging van het product is zwak	Controleer het aluminium filter	Het aluminium patroonfilter moet onder normale gebruiksomstandigheden minstens één keer per maand worden schoongemaakt.
De luchtaanzuiging van het product is zwak	Controleer het luchtafvoerkanaal	Het luchtafvoerkanaal moet vrij van hindernissen zijn.
De luchtaanzuiging van het product is zwak	Controleer het koolstoffilter	Indien in het product koolstoffilters worden gebruikt, moeten deze onder normale gebruiksomstandigheden om de drie maanden worden vervangen.
Lucht wordt niet afgevoerd (bij gebruik zonder rookkanaal)	Controleer het aluminium filter	Het aluminium patroonfilter moet onder normale gebruiksomstandigheden minstens één keer per maand worden schoongemaakt.
Lucht wordt niet afgevoerd (bij gebruik zonder rookkanaal)	Controleer het koolstoffilter	Indien in het product koolstoffilters worden gebruikt, moeten deze onder normale gebruiksomstandigheden om de drie maanden worden vervangen.

13.2 Technische gegevens

Aanvoerspanning	220 - 240 V 50 Hz
Isolatieklasse motor	F
Isolatieklasse	KLASSE I

Leisure Consumer Products
1 Greenhill Crescent
Watford
Herts WD18 8QU
Tel: 0845 6004916
Facsimile: 0845 6004922
[www. Leisurecp.co.uk](http://www.Leisurecp.co.uk)