

LAMONA

at the heart of the kitchen

Built-Under Larder Fridge / Fridge / Freezer

LAM6XXX



Generic instructions, (To be used in conjunction with User Instructions).

- Please read this Installation Manual to ensure safe fitting and use of the appliance.
- The appliance should be fitted by a suitably competent and qualified person.
- Please keep these instructions in a safe place for future reference.
- Danger of suffocation keep packaging material away from children.

Installation Instructions

ISSUE v1.2 101023

Register ✓
my appliance

www.howdens.com/appliance-registration

Installation

Generic instructions for fitting a Larder Fridge / Fridge / Freezer.
(Fridge shown for illustrative purposes only)

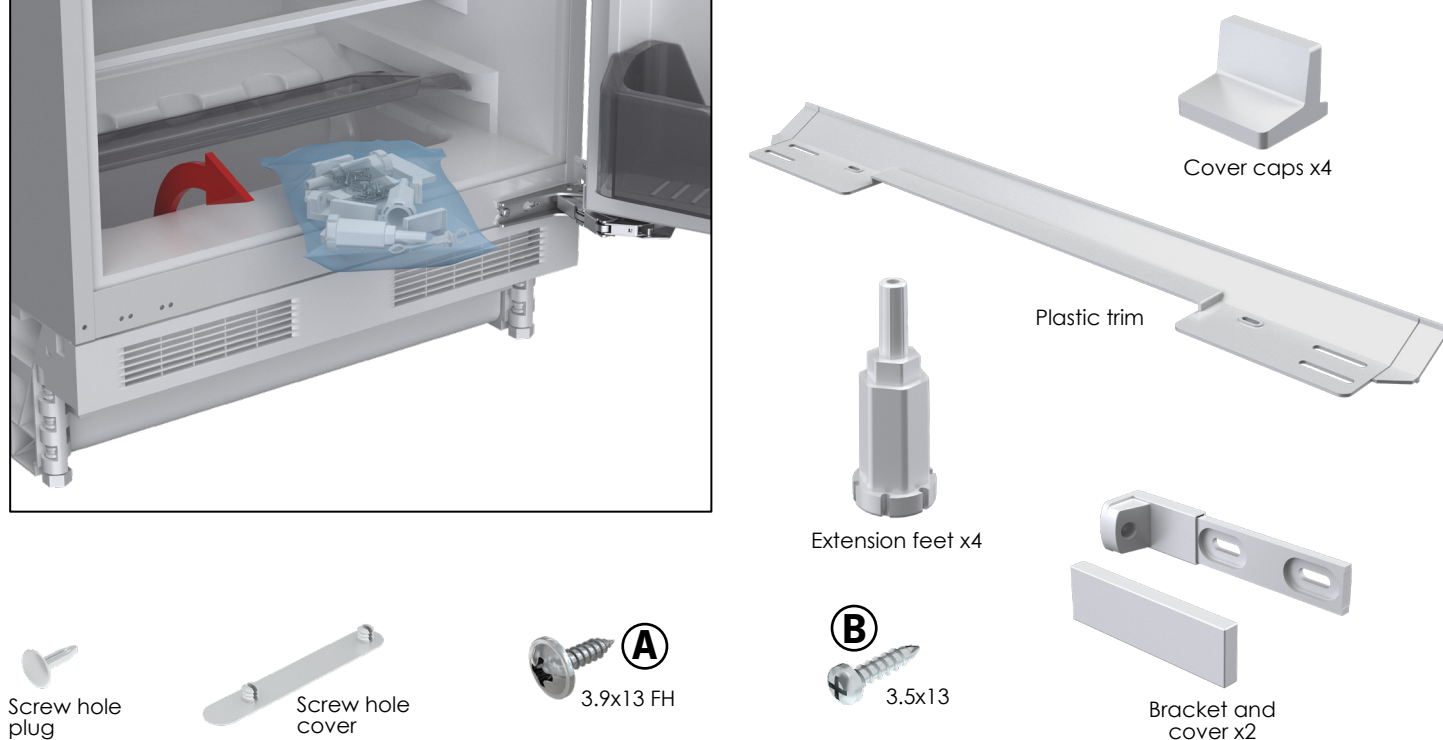
Tools required



Parts supplied - PLEASE RETAIN, DO NOT THROW AWAY!

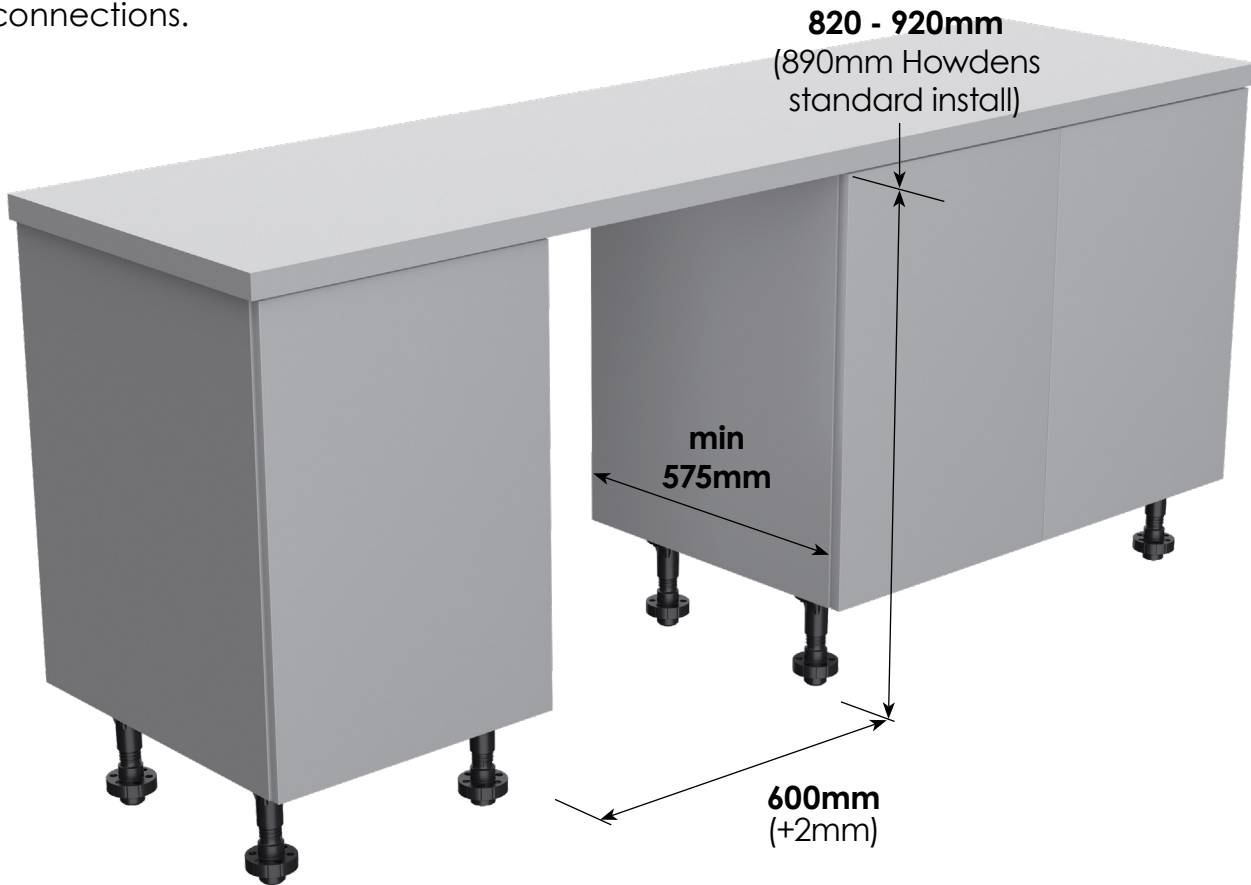


Remove parts bag and trim from the appliance.

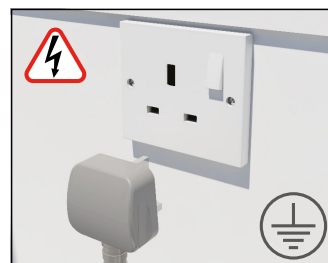
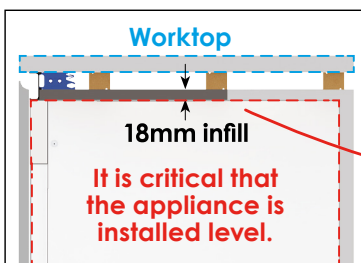
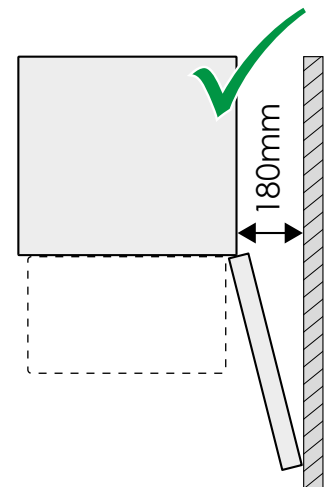
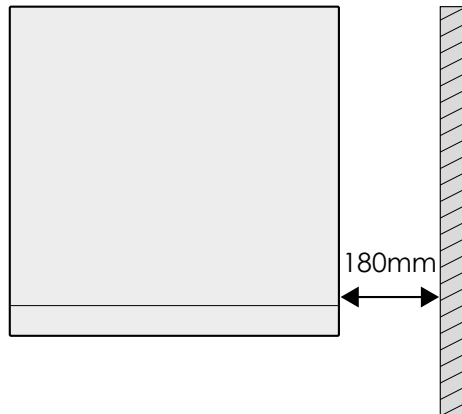


Prepare cabinet niche

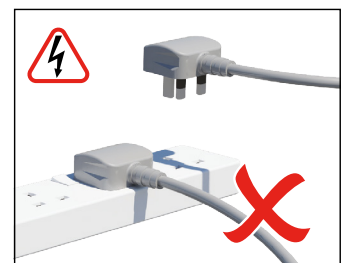
Position the appliance relative to service connections.



Note: If opening against a wall, **180mm** clearance is required to allow the baskets to be removed.



WARNING!
Appliance must be earthed. Socket must be accessible after fitting.



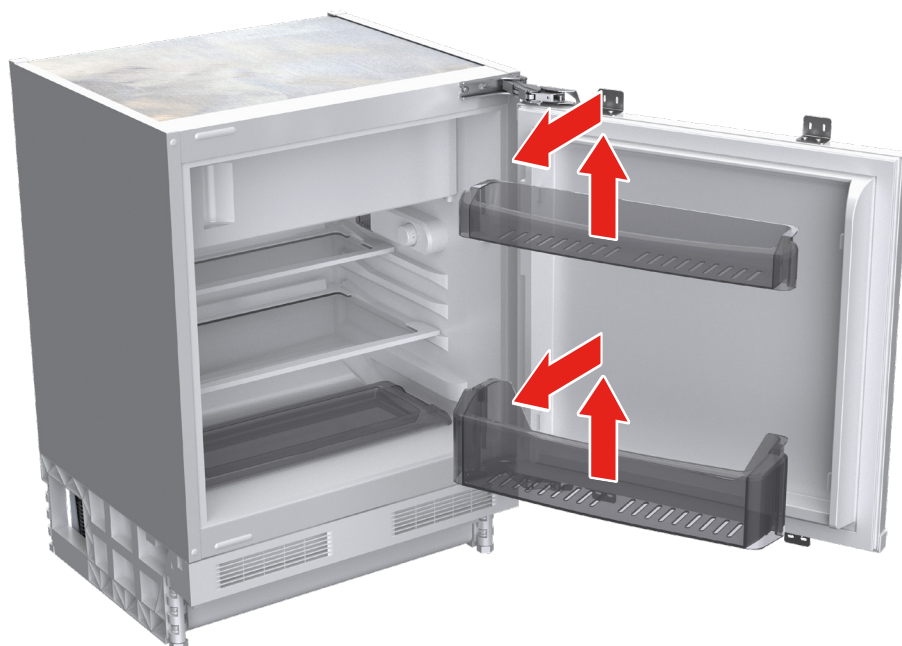
WARNING!
Do not use extension cable or adapters.

Note: For profile kitchens - insert 18mm board below worktop, level with bottom edge of front panel.

Reverse door opening, (if applicable), DO IT NOW.

(Handle door with care)

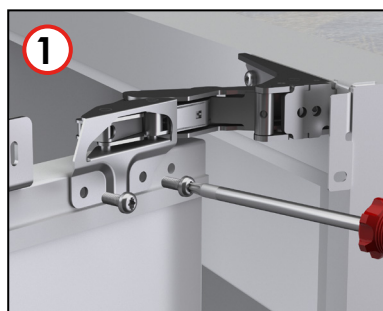
1 - Ensure the appliance is not connected to a power supply.



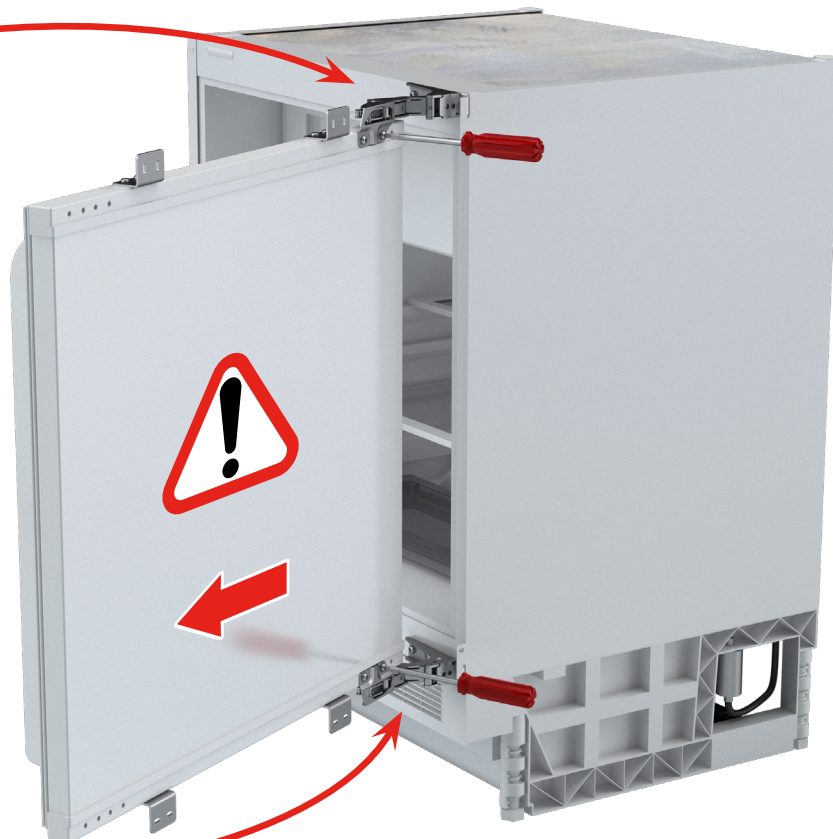
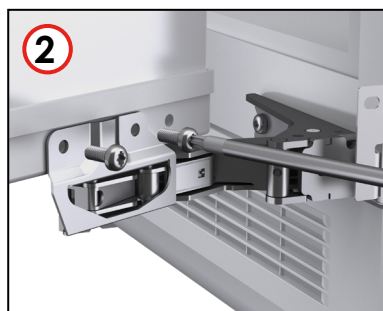
Remove all contents and door balconies, (if applicable).

(See also 'Reversing Inner Freezer Door').

2 - Remove door hinge screws and keep in a safe place for future use.

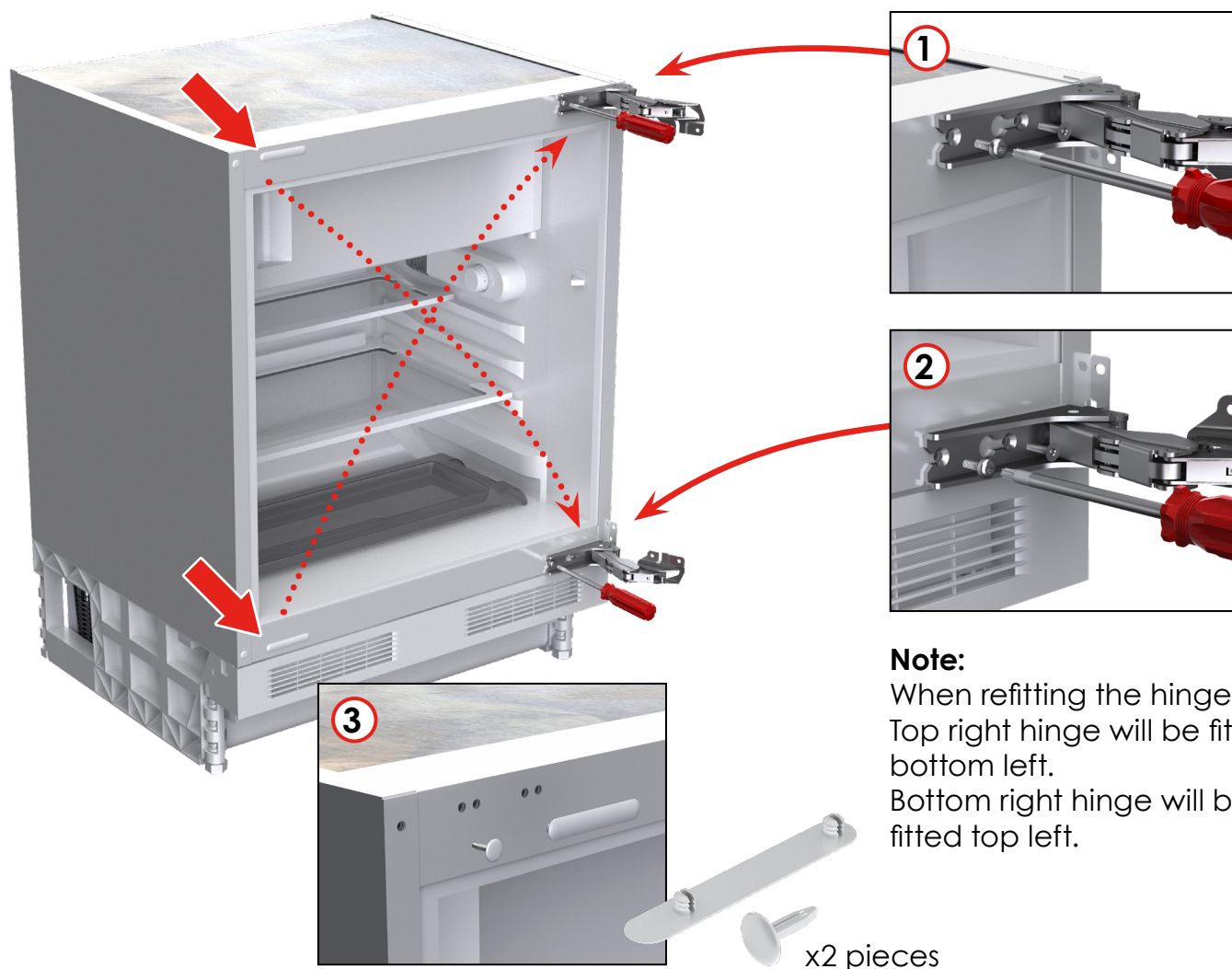


WARNING:
Support door
when removing
hinge screws.



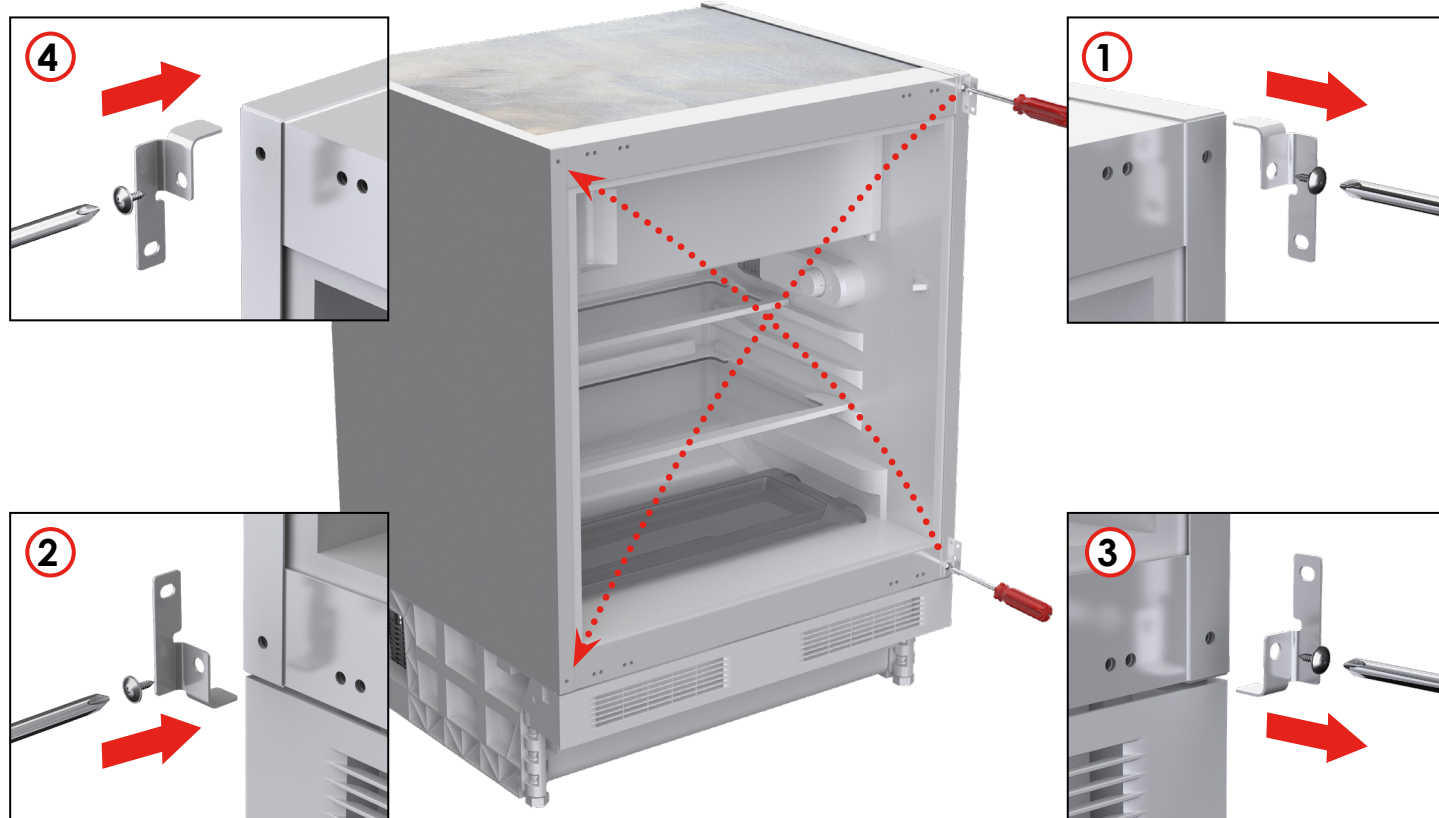
3 - Remove door and keep in a safe place.

4 - Remove hinges, plastic cover caps and plugs. Keep in a safe place for future use.

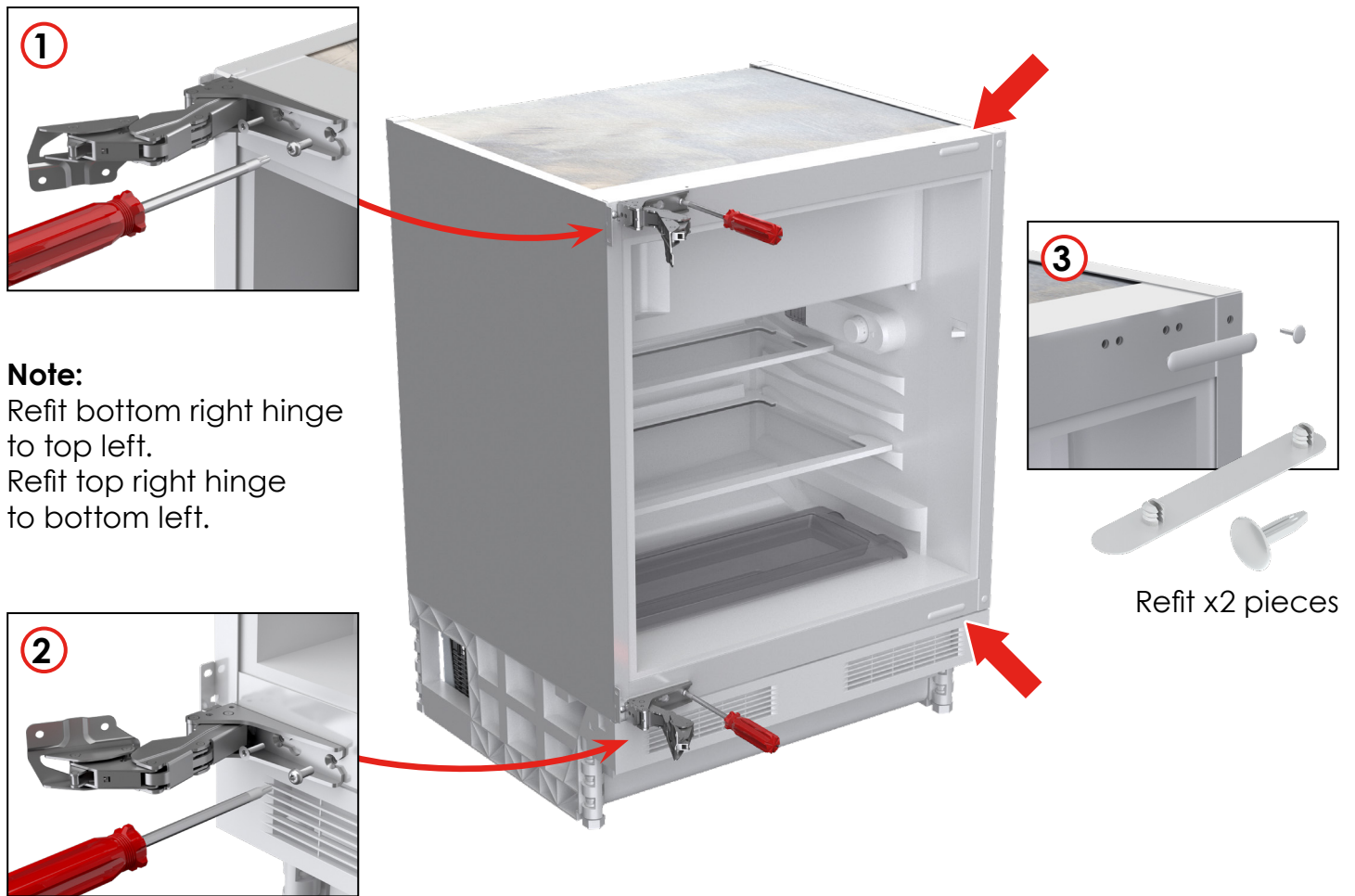


Note:
When refitting the hinges;
Top right hinge will be fitted
bottom left.
Bottom right hinge will be
fitted top left.

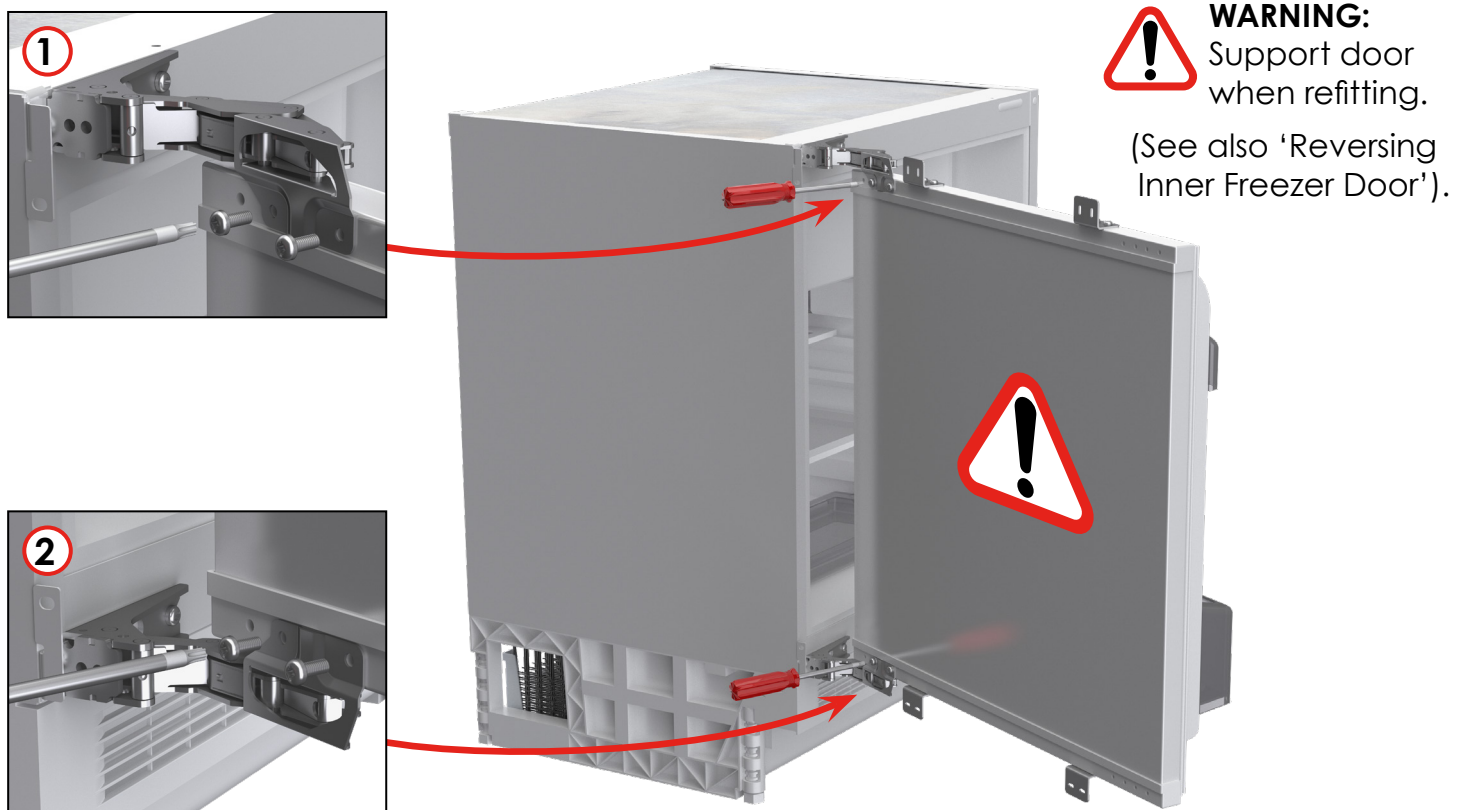
5 - Remove side fixing brackets and re-position to opposite side.



6 - Re-position hinges, plastic cover caps and plugs.

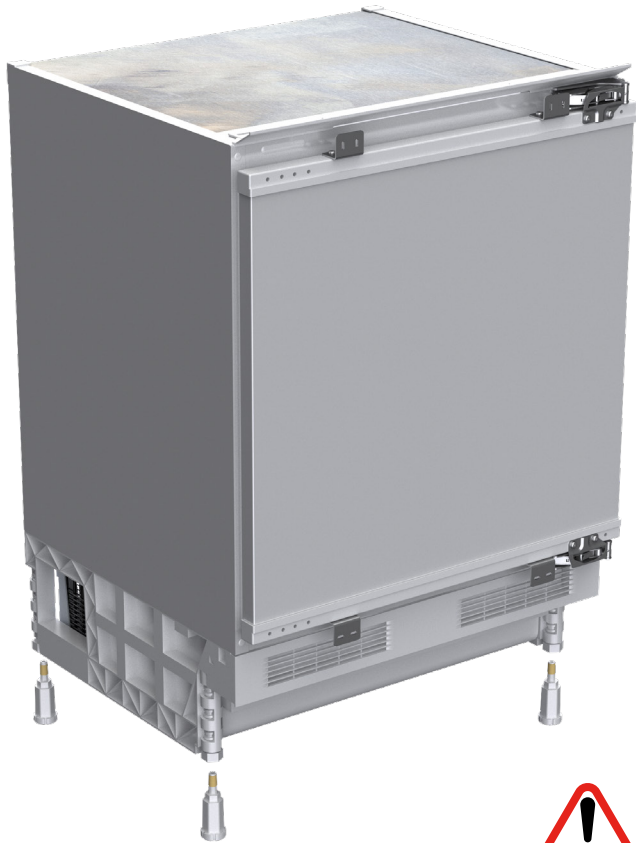


7 - Carefully refit door and replace door balconies.

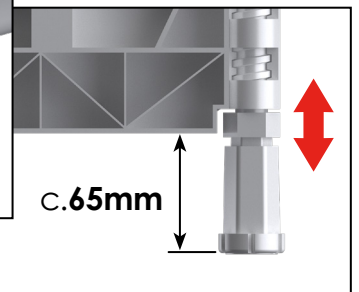
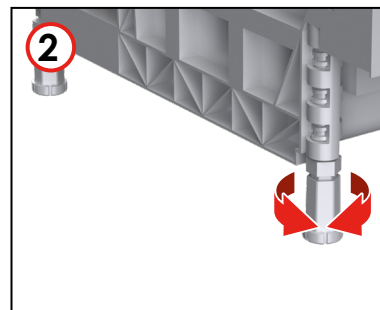
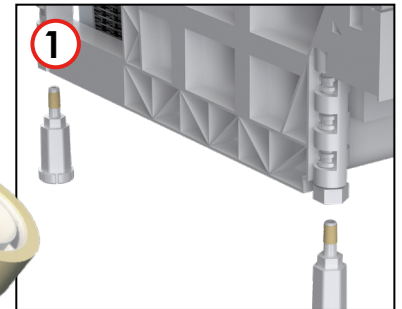
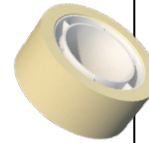


Howdens standard worktop install height (890mm), (Fridge shown for illustrative purposes only)

1 - Attach extension feet and adjust to c.65mm.

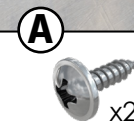
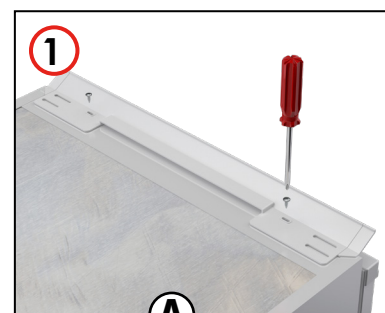


Tip: Use masking tape to stop feet dropping out.



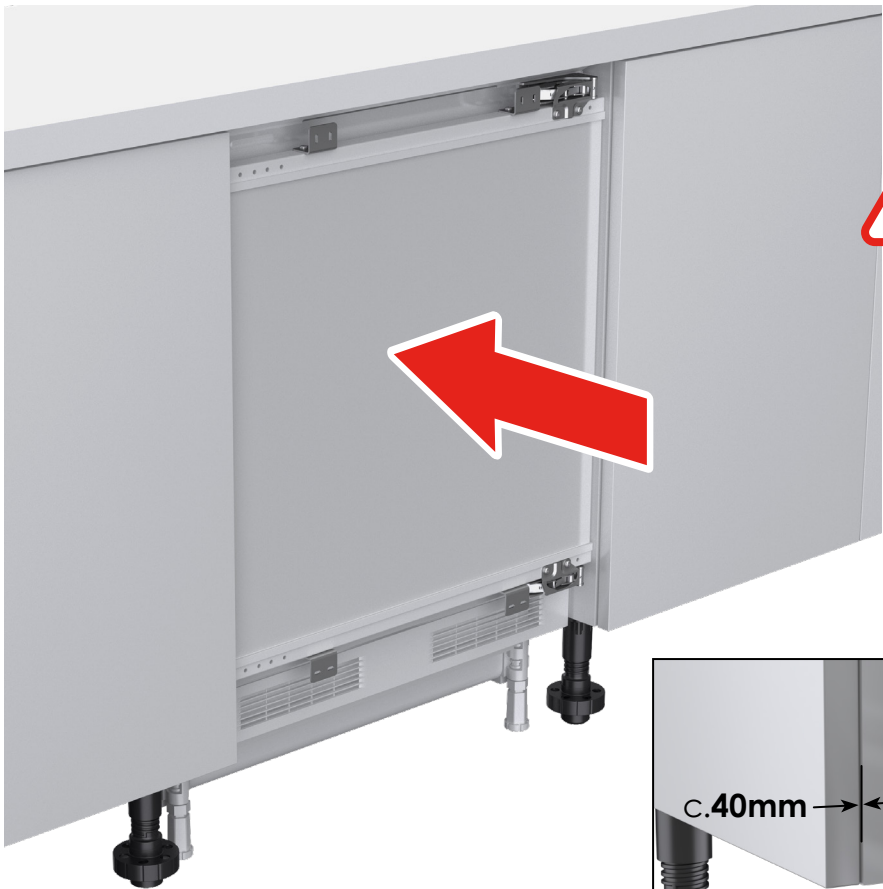
IMPORTANT: Do not use extension feet for **Profile Kitchens** and when fitting a granite/solid surface worktop, see **stages 5d/5e**.

2 - Attach top trim.



CAUTION: When extension feet are fitted move with care to avoid damage.

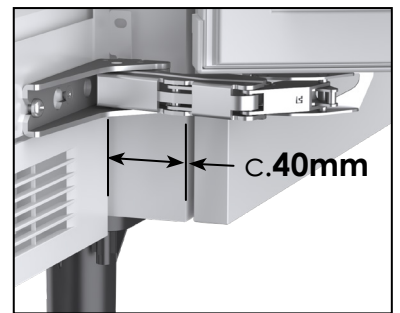
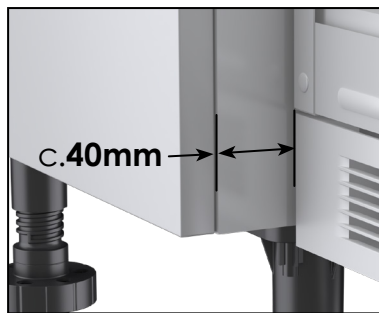
3 - Move into position.



WARNING:

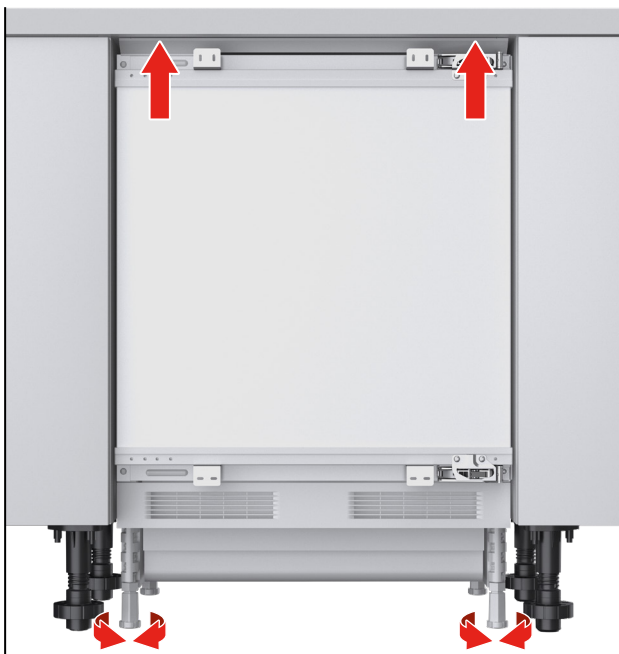
Take care not to damage appliance or surrounding cabinetry.

Do not trap electric cable.

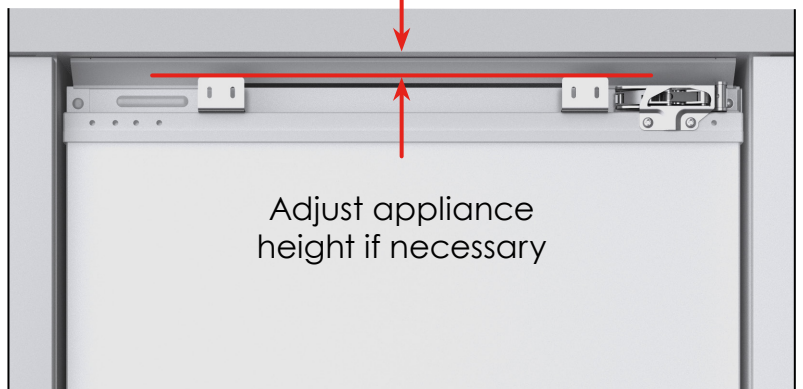


Appliance depth in niche - from cabinet edge to appliance body when door is open.

4 - Raise feet so that the top trim engages with the underside of the worktop.
Ensure the appliance is level and true.



Worktop to brackets **c.12mm**
top of bracket to underside
of worktop.



Adjust appliance
height if necessary

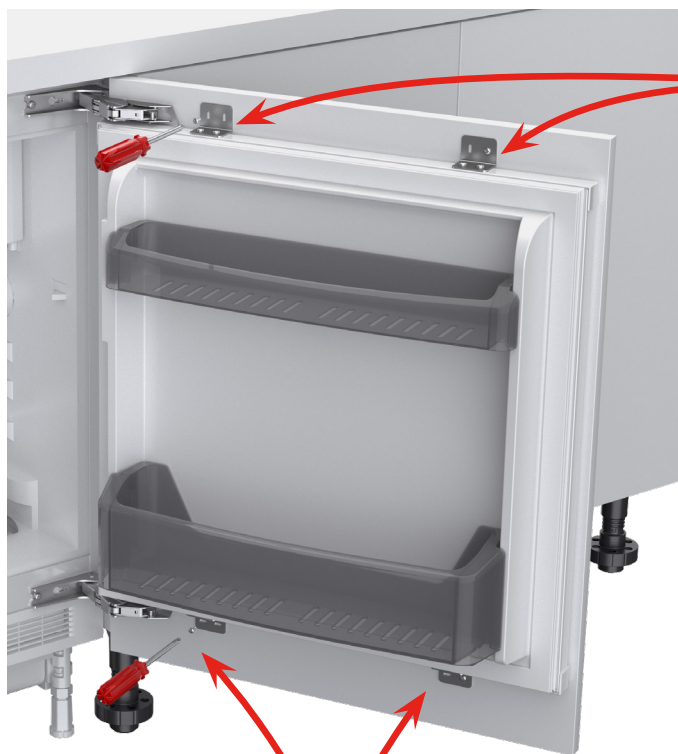
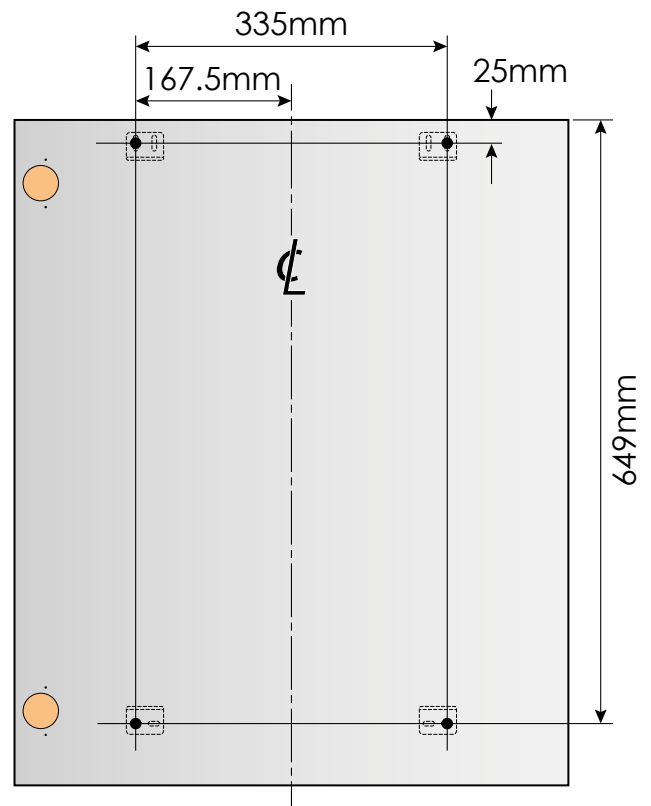
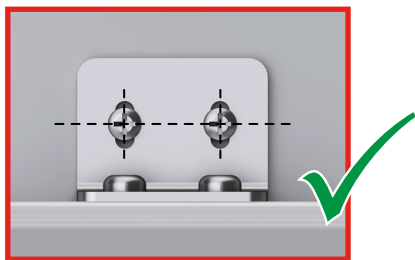
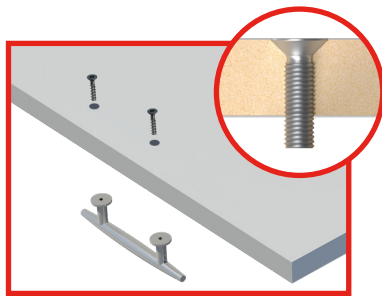
5a - Prepare decor door frontal

Slab door frontal

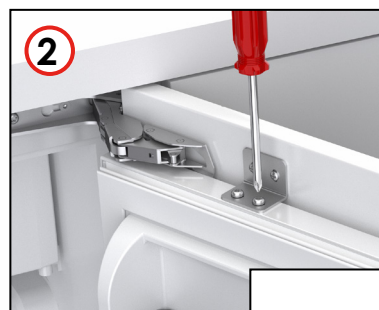
Mark fixing positions.

Do not attach brackets to frontal.

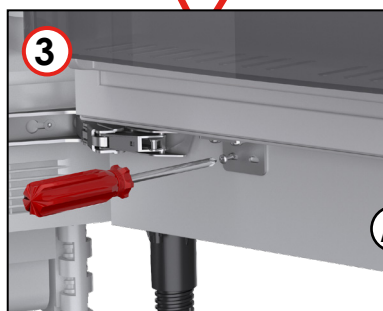
If applicable, fit door handle at this stage using countersink screws.



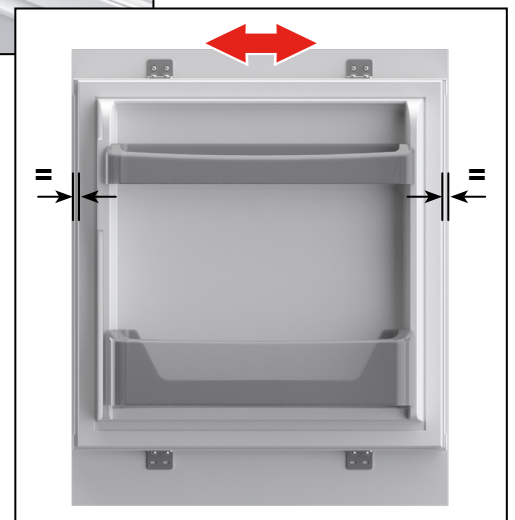
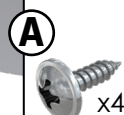
Attach door, using top brackets only, 1 x screw only at 1st.



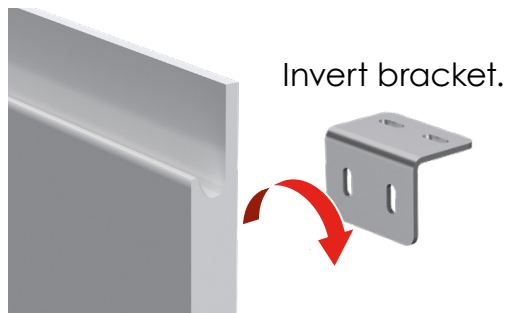
Loosen top bracket screws and slide left/right to achieve frontal alignment. Secure when positioned correctly.



Secure bottom brackets.



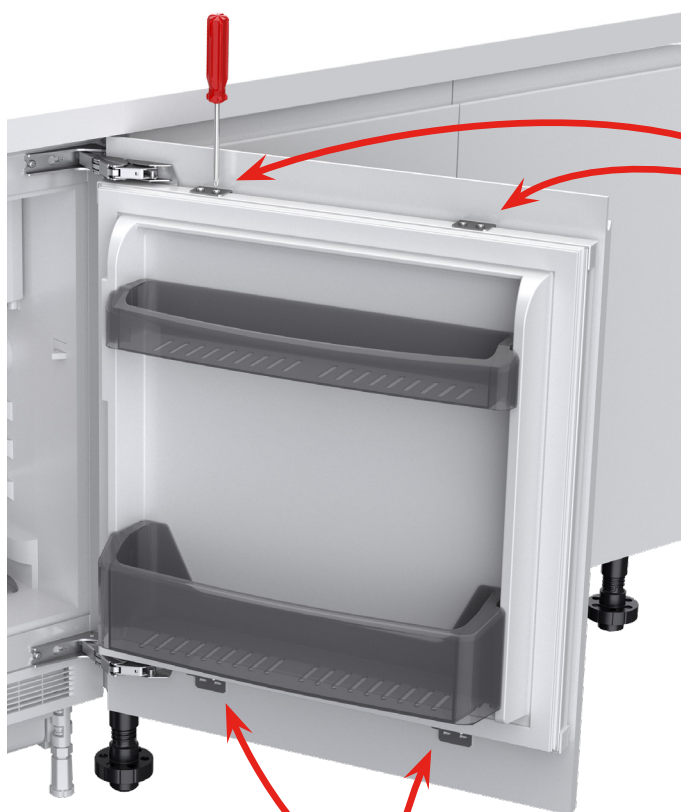
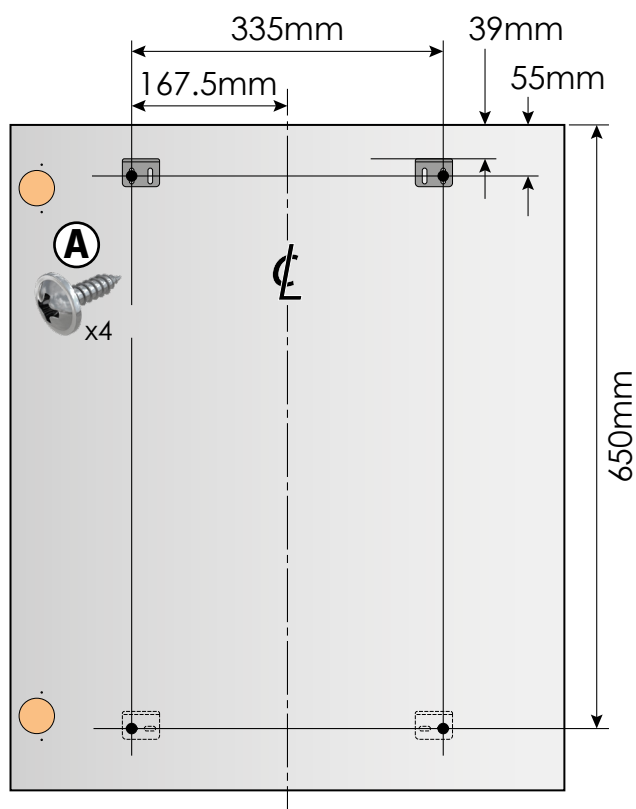
Integrated handle door frontal



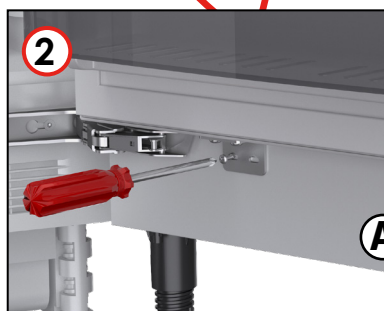
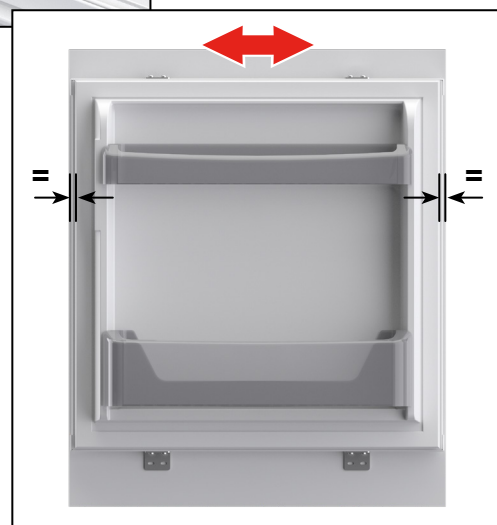
Mark fixing positions.

Remove top door brackets from appliance, invert and attach to the door.

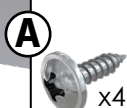
Do not attach the bottom brackets to the frontal.



1 Attach frontal to the appliance door and slide left/right to achieve frontal alignment. Secure when positioned correctly.



2 Secure bottom brackets.

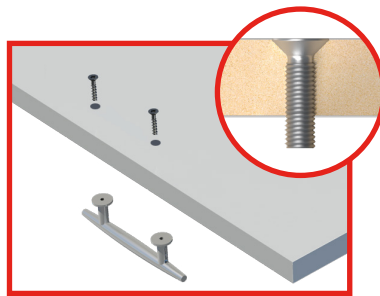
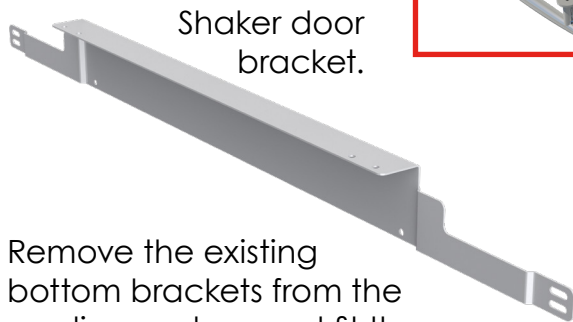


Shaker door frontal, (use bracket LAM0060)

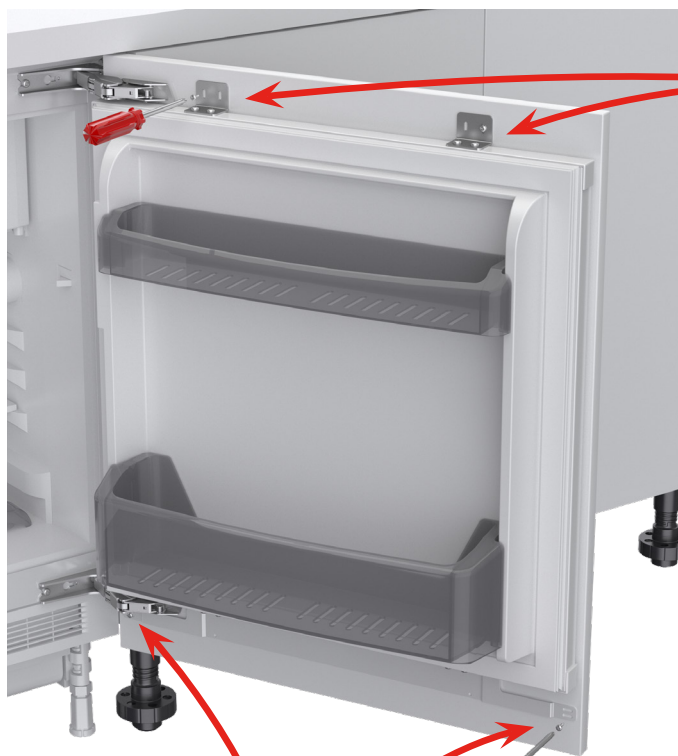
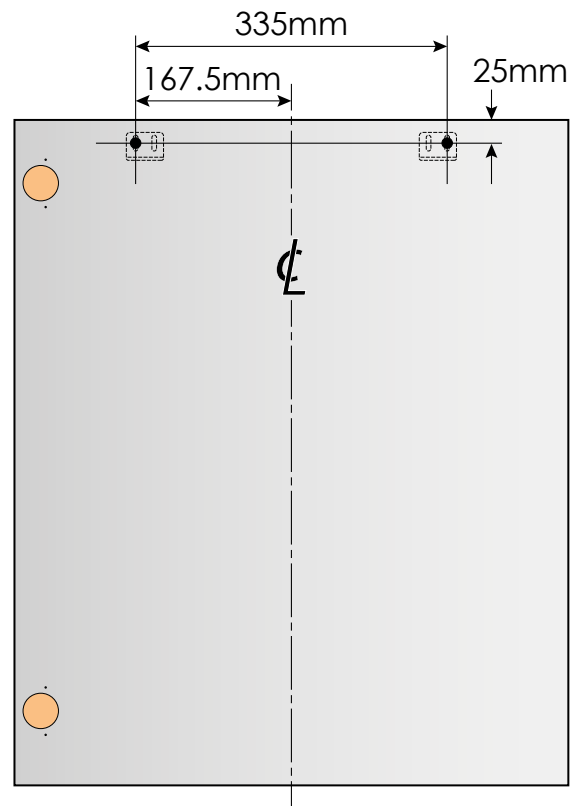
Mark fixing positions.

Do not attach brackets to frontal.

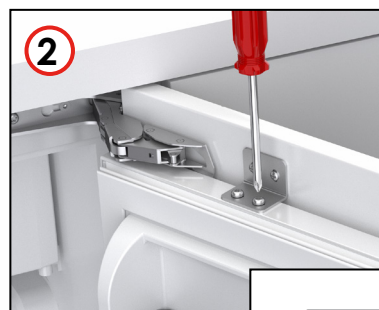
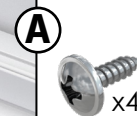
If applicable, fit door handle at this stage using countersink screws.



Remove the existing bottom brackets from the appliance door and fit the 'Shaker door bracket'.



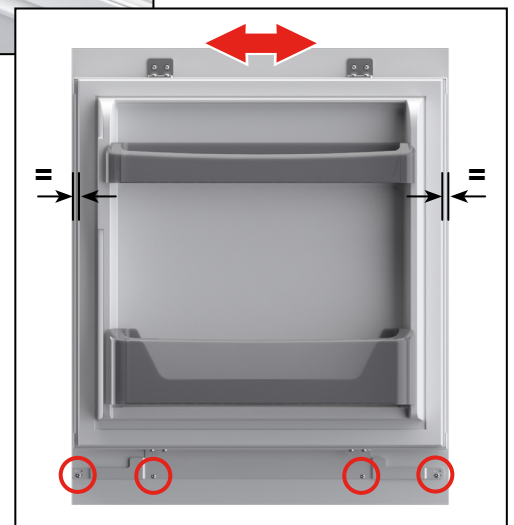
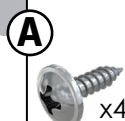
Attach door, using top brackets only, 1 x screw only at 1st.



Loosen top bracket screws and slide left/right to achieve frontal alignment. Secure when positioned correctly.



Secure shaker door bracket, (use inner x2 holes and outer x2 holes).



5d - Prepare decor door frontal, (continued)

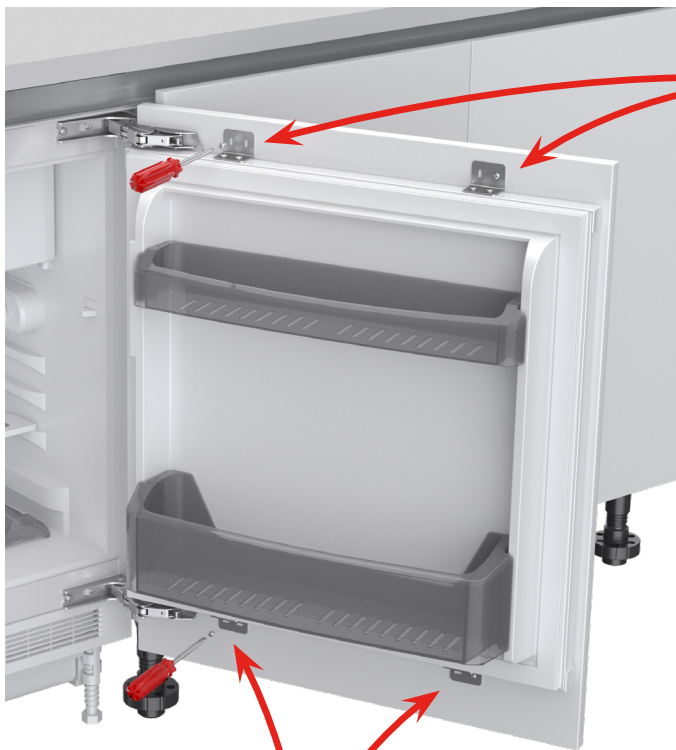
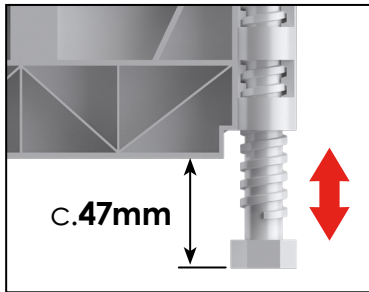
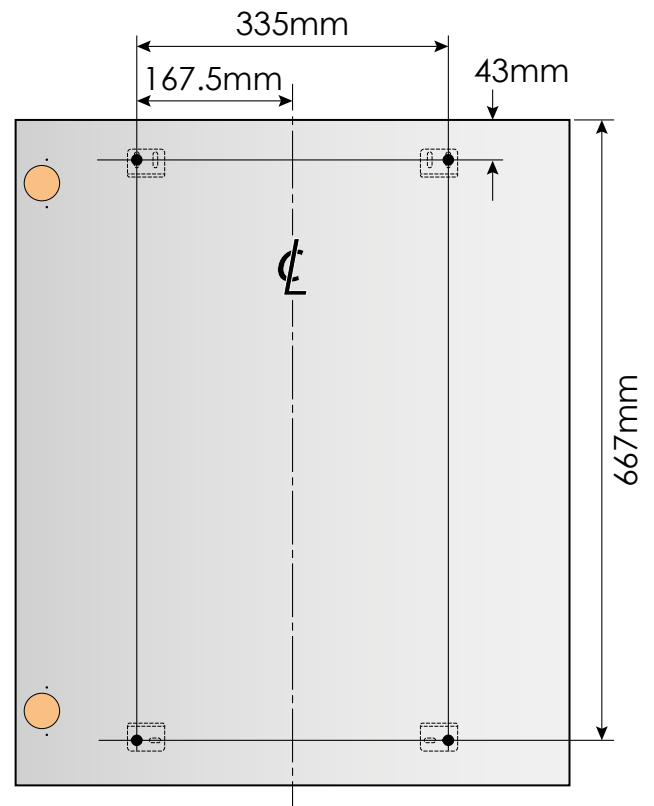
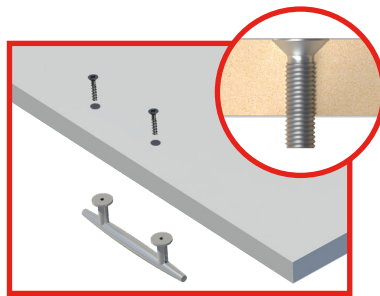
Profile Kitchen door frontal

Mark fixing positions.

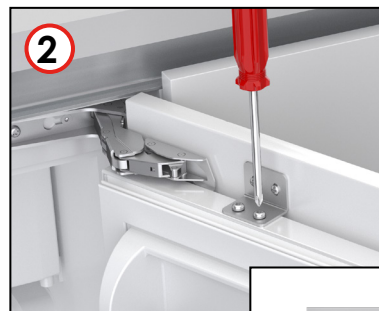
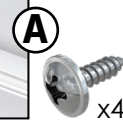
Do not attach brackets to frontal.

If applicable, fit door handle at this stage using countersink screws.

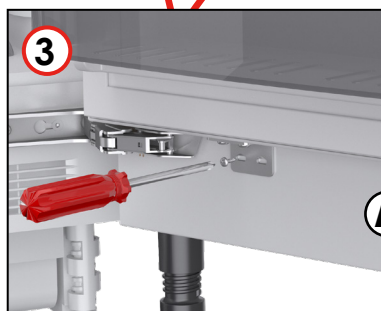
Do not use extension feet, adjust to c.47mm.



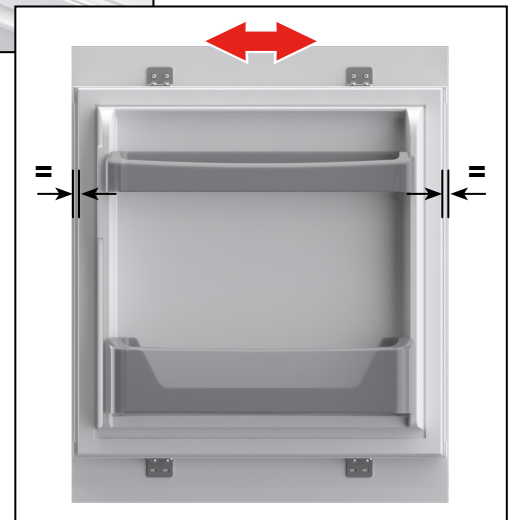
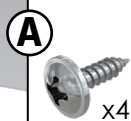
Attach door, using top brackets only, 1 x screw only at 1st.



Loosen top bracket screws and slide left/right to achieve frontal alignment. Secure when positioned correctly.



Secure bottom brackets.



Granite worktop application, door frontal

Mark fixing positions.

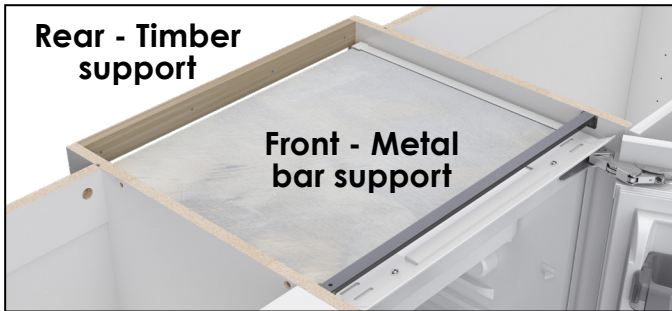
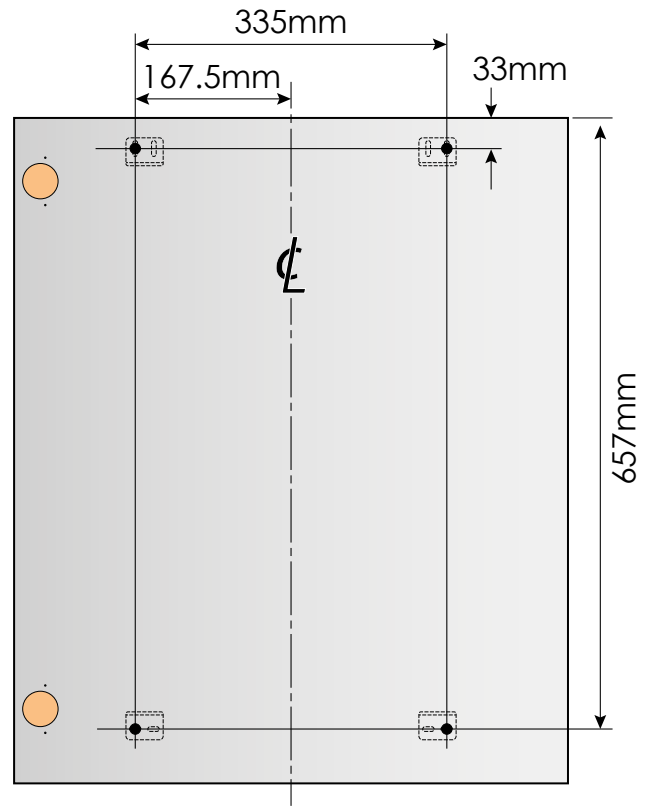
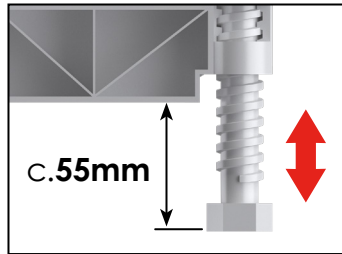
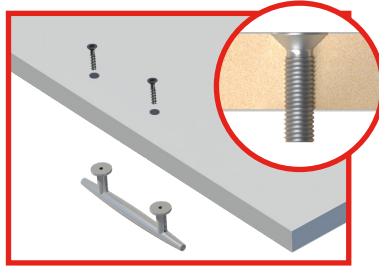
Do not attach brackets to frontal.

If applicable, fit door handle at this stage using countersink screws.

Do not use extension feet, adjust to c.55mm.



IMPORTANT: Support granite worktop across opening.



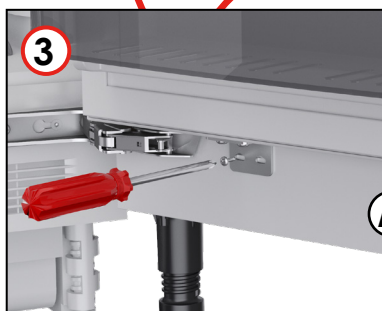
1 Attach door, using top brackets only, 1 x screw only at 1st.

A

(3.9x13 FH) x4



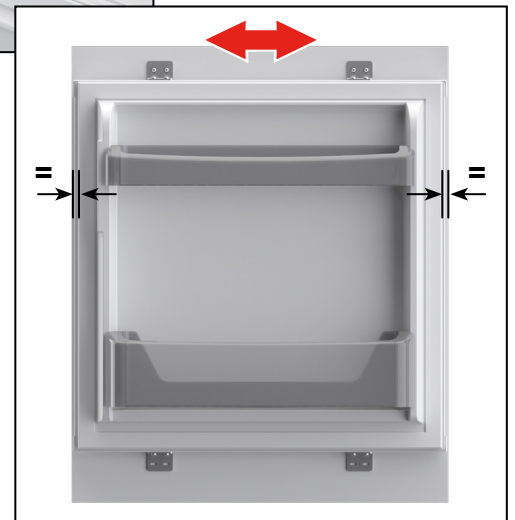
2 Loosen top bracket screws and slide left/right to achieve frontal alignment. Secure when positioned correctly.



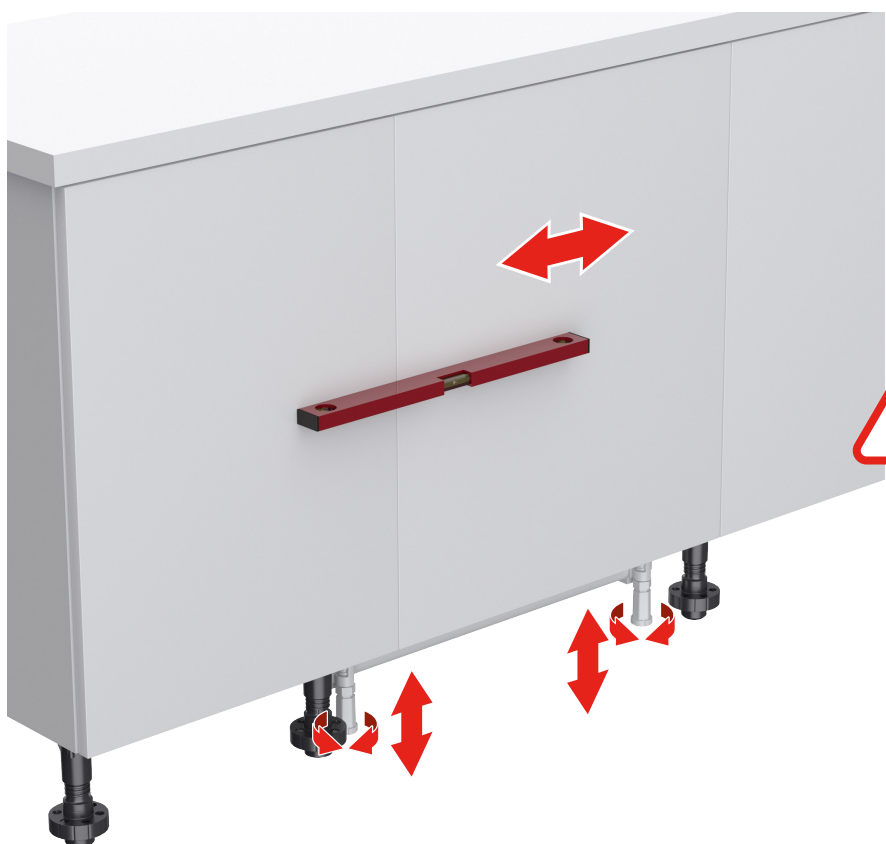
3 Secure bottom brackets.

A

x4



6 - Door frontal alignment.



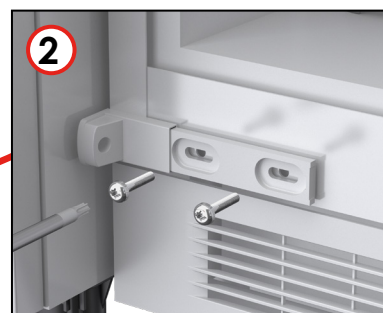
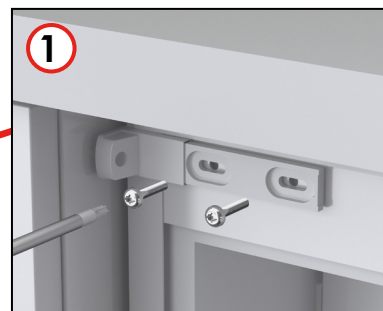
If necessary, make minor adjustment so the door frontal is aligned with the door frontals alongside.



WARNING:

Take care not to damage frontals and surrounding cabinetry.

7 - Loosely attach plastic slider brackets. Take care not to move the appliance.

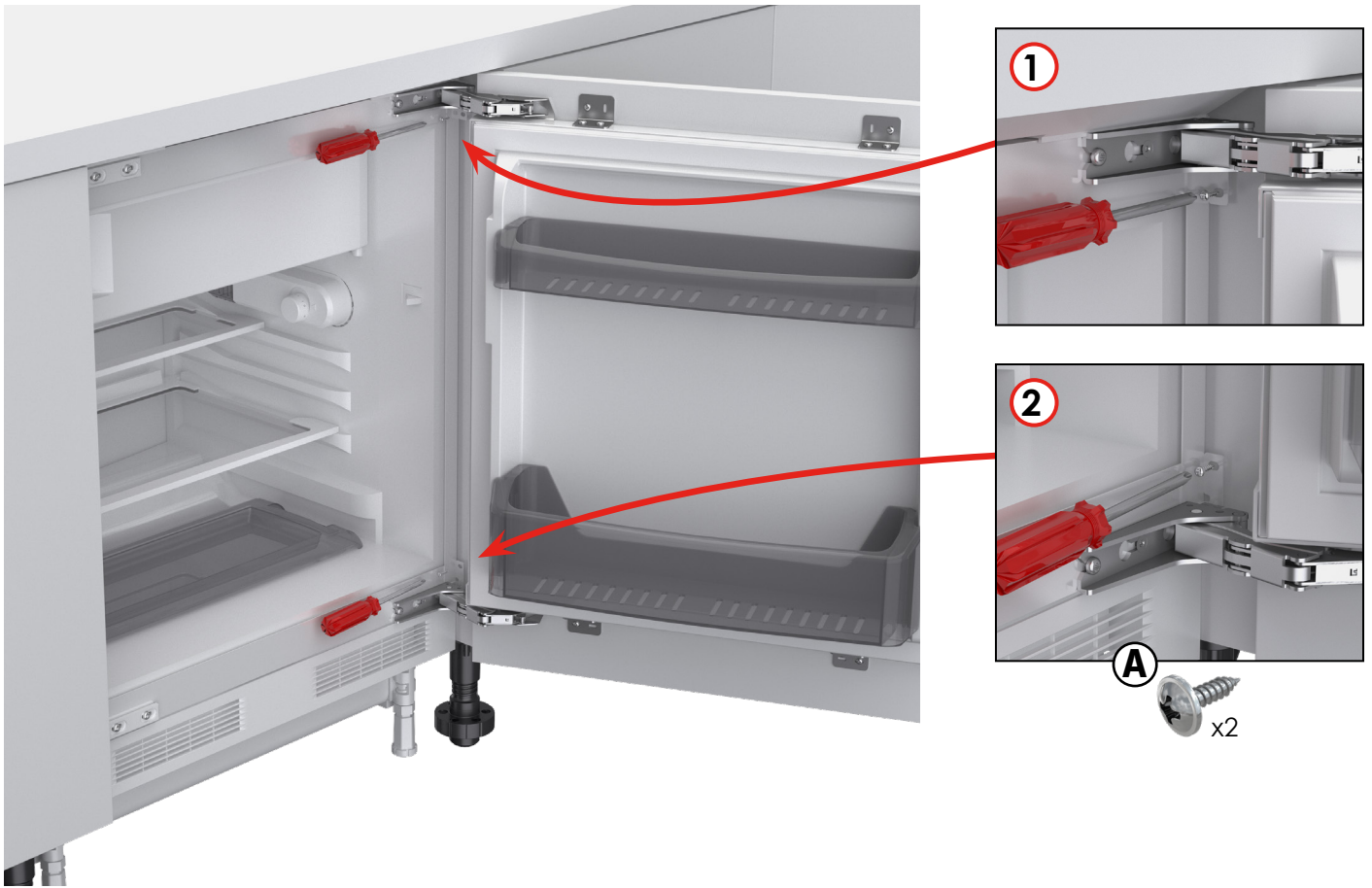


Brackets x2

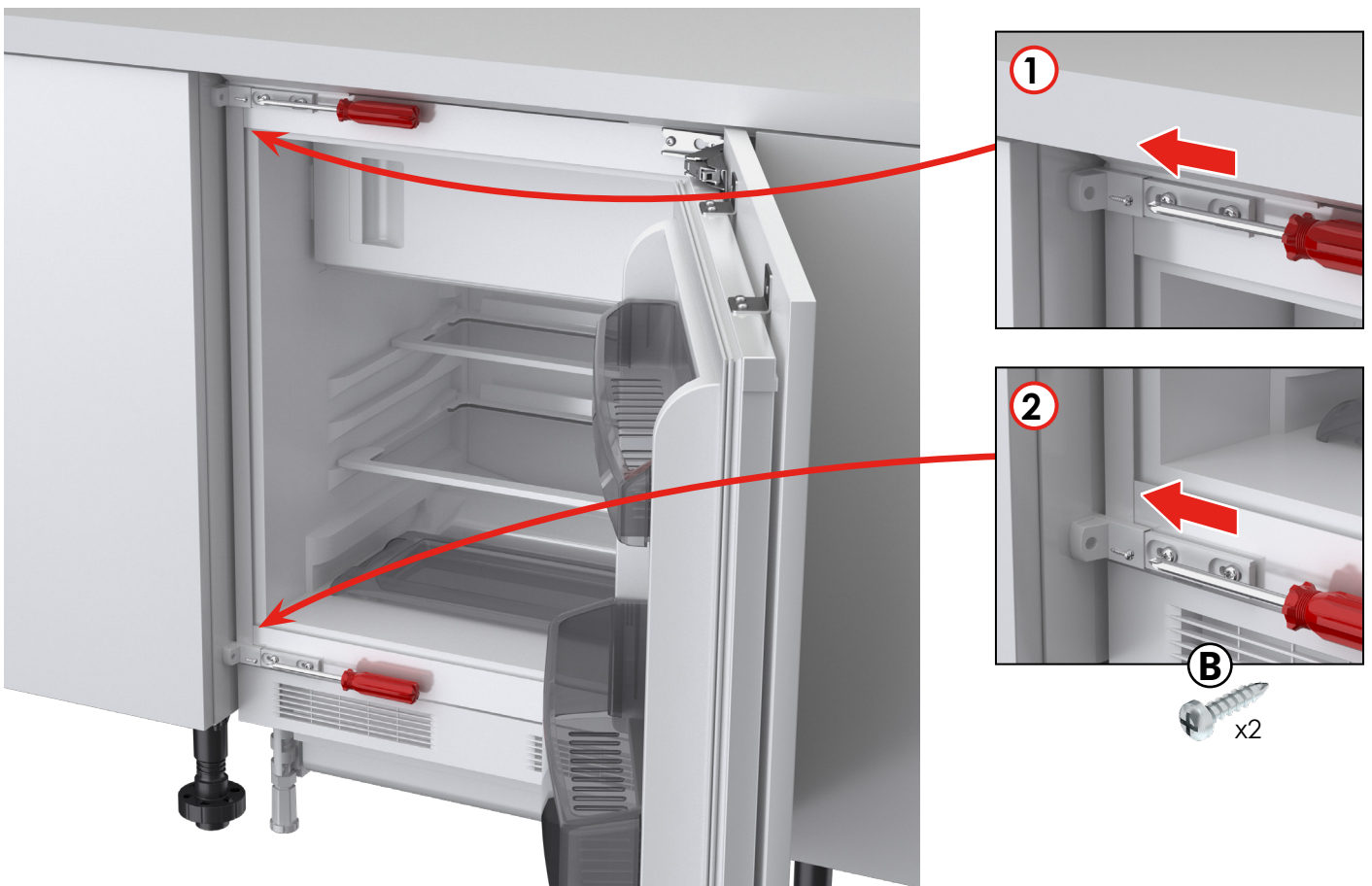


x4

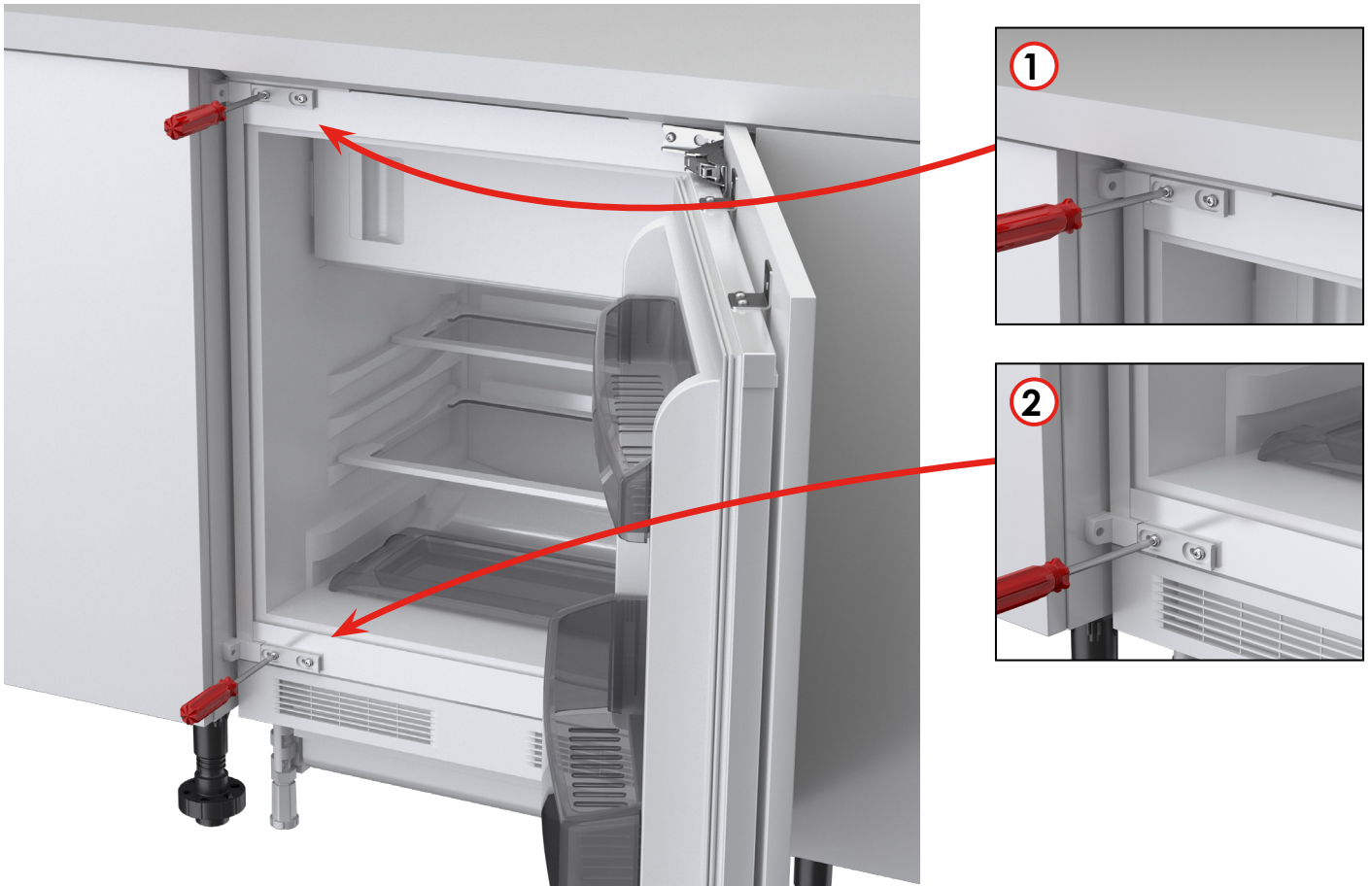
8 - Secure hinge side brackets. Take care not to move the appliance.



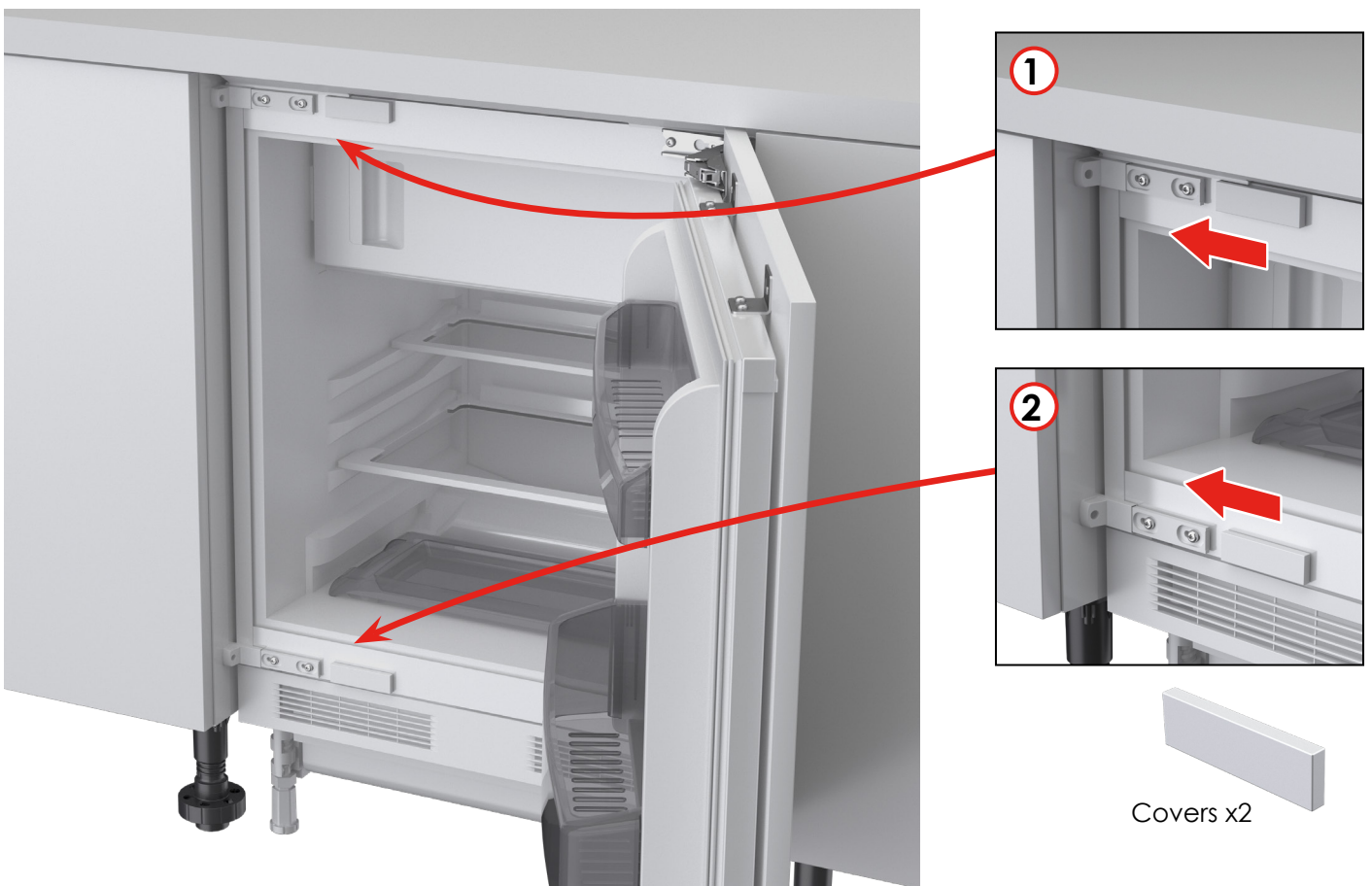
9 - Fix non hinge side brackets. Take care not to move the appliance.



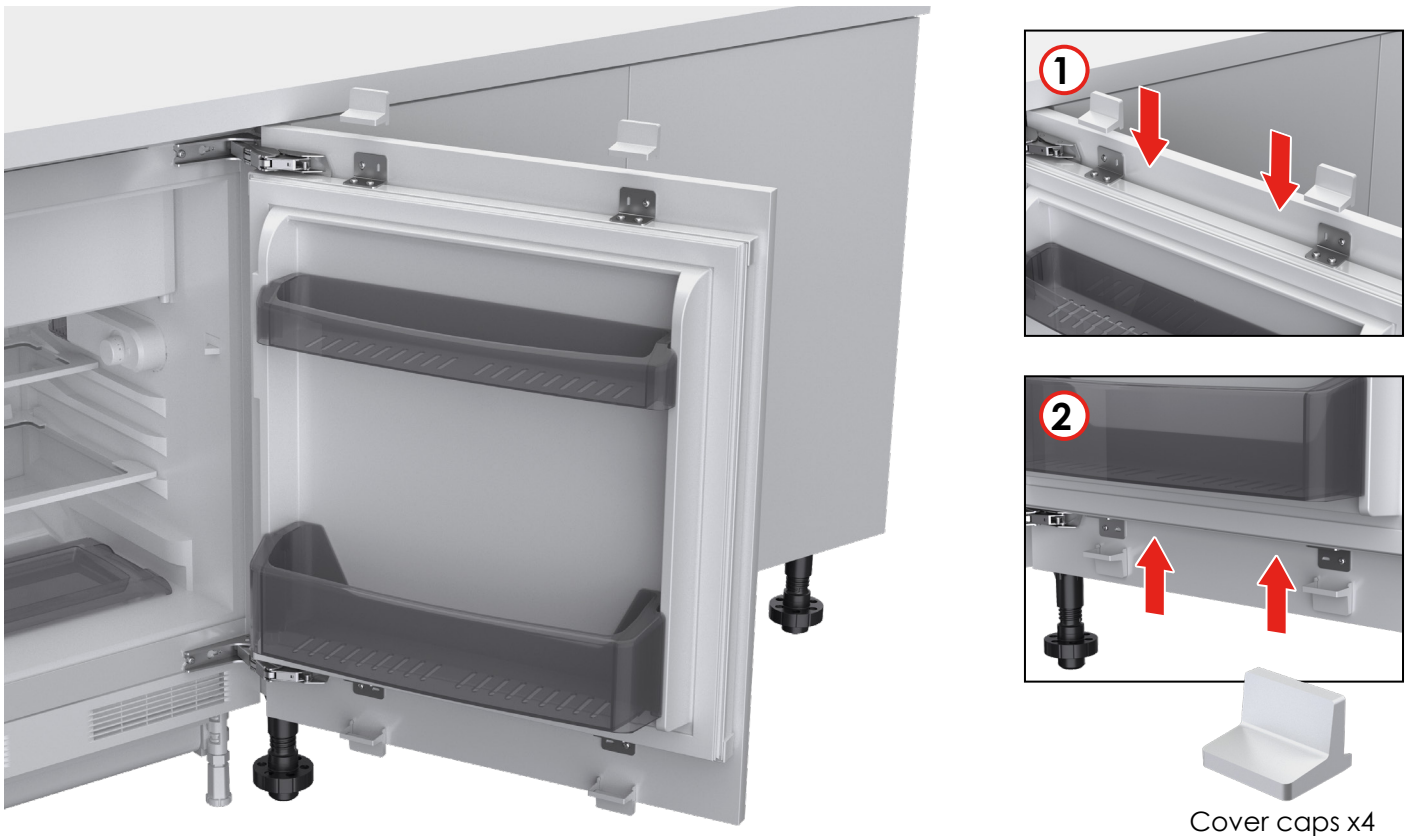
10 - Secure non hinge side brackets. Take care not to move the appliance.



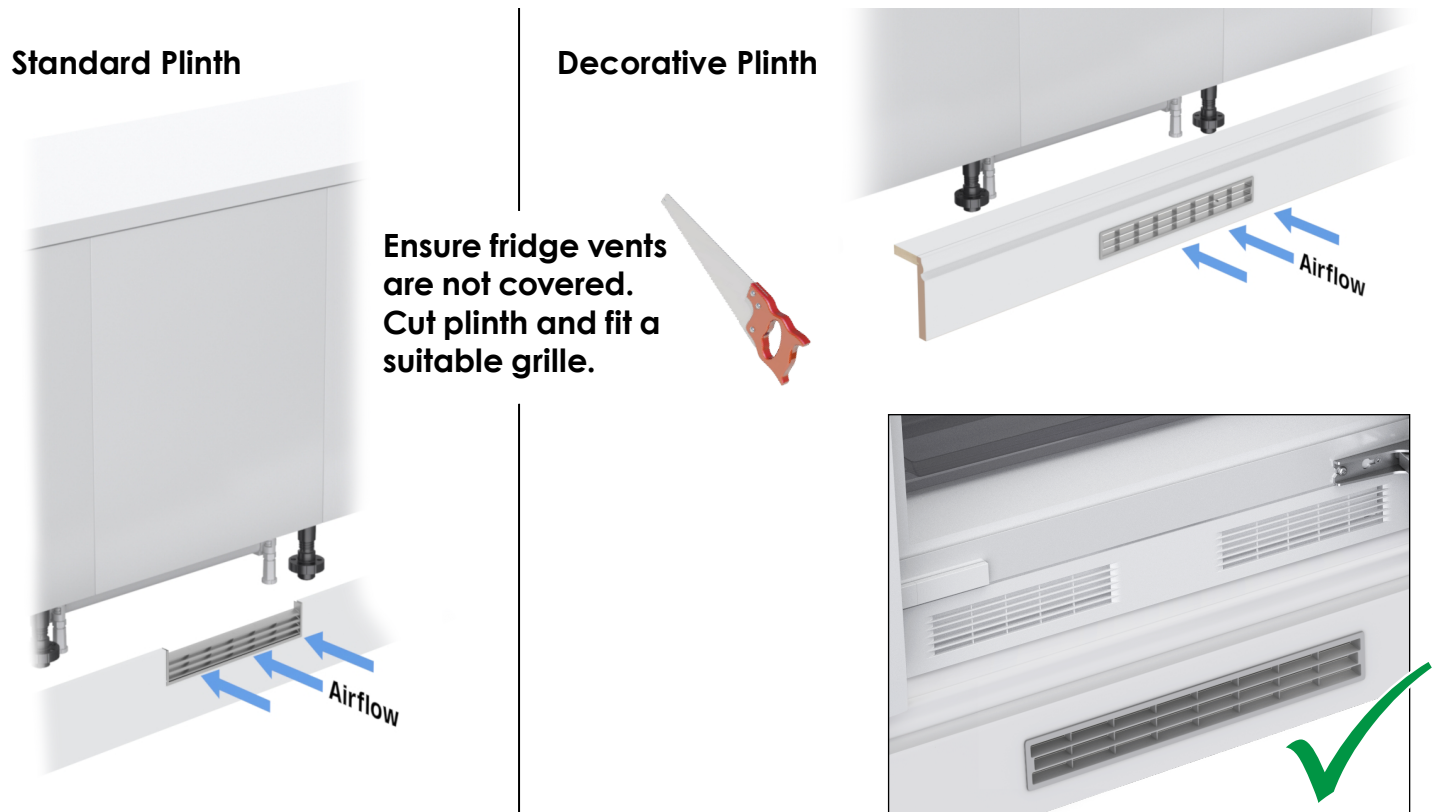
11 - Fix cover caps.



12 - Fit door bracket cover caps.



13 - Fit plinth and grille (if necessary).

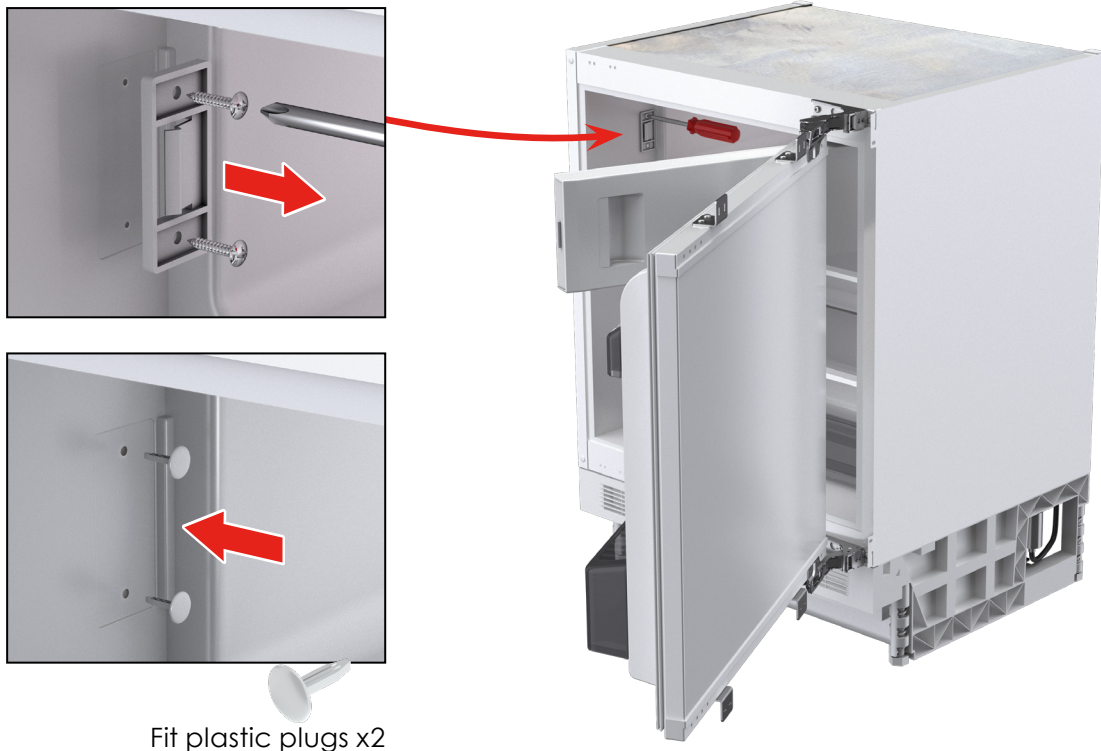


WARNING: Ensure the appliance ventilation grilles are not covered.

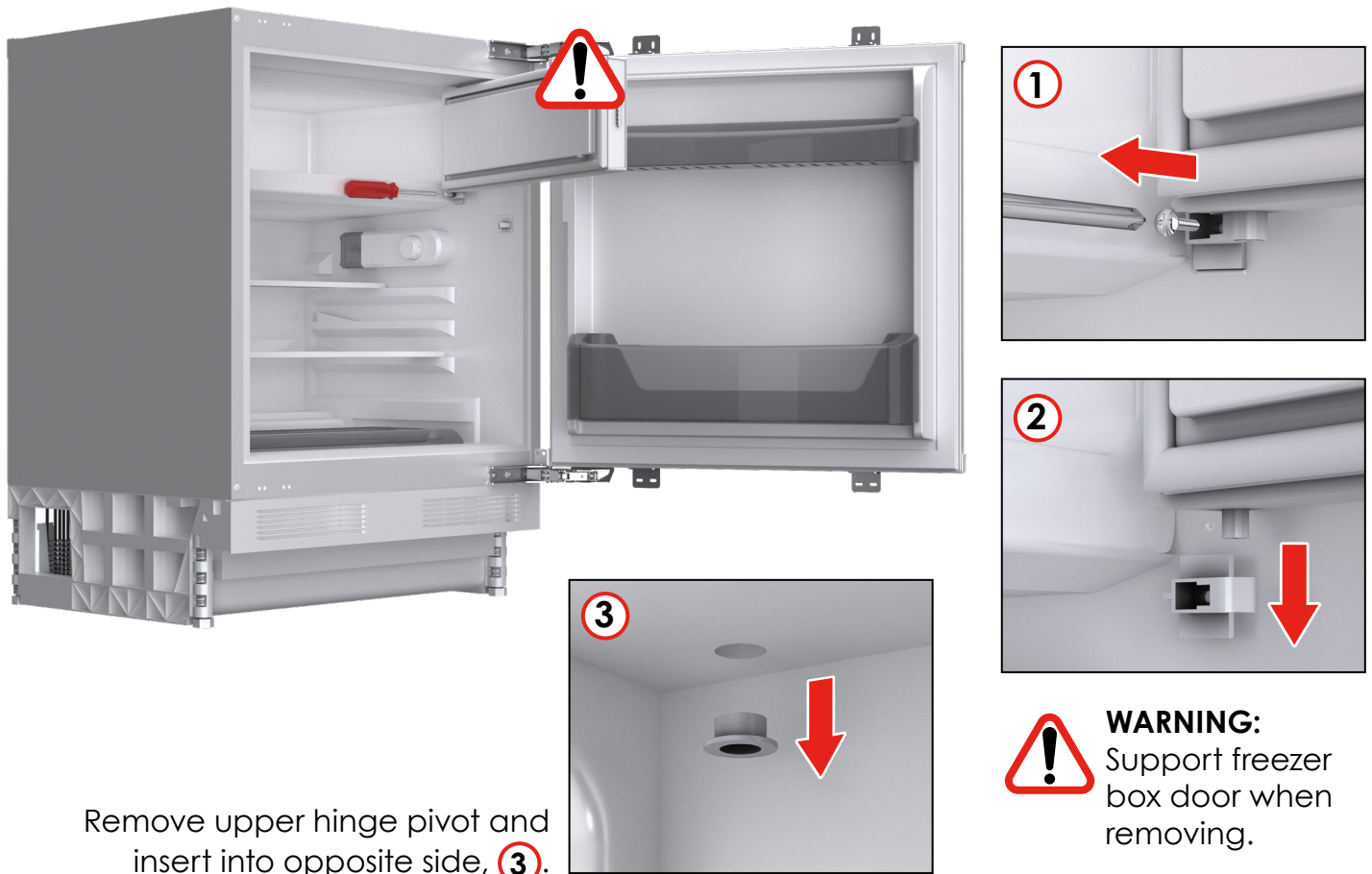
Reverse inner freezer door, (if applicable).

(Handle freezer box door with care)

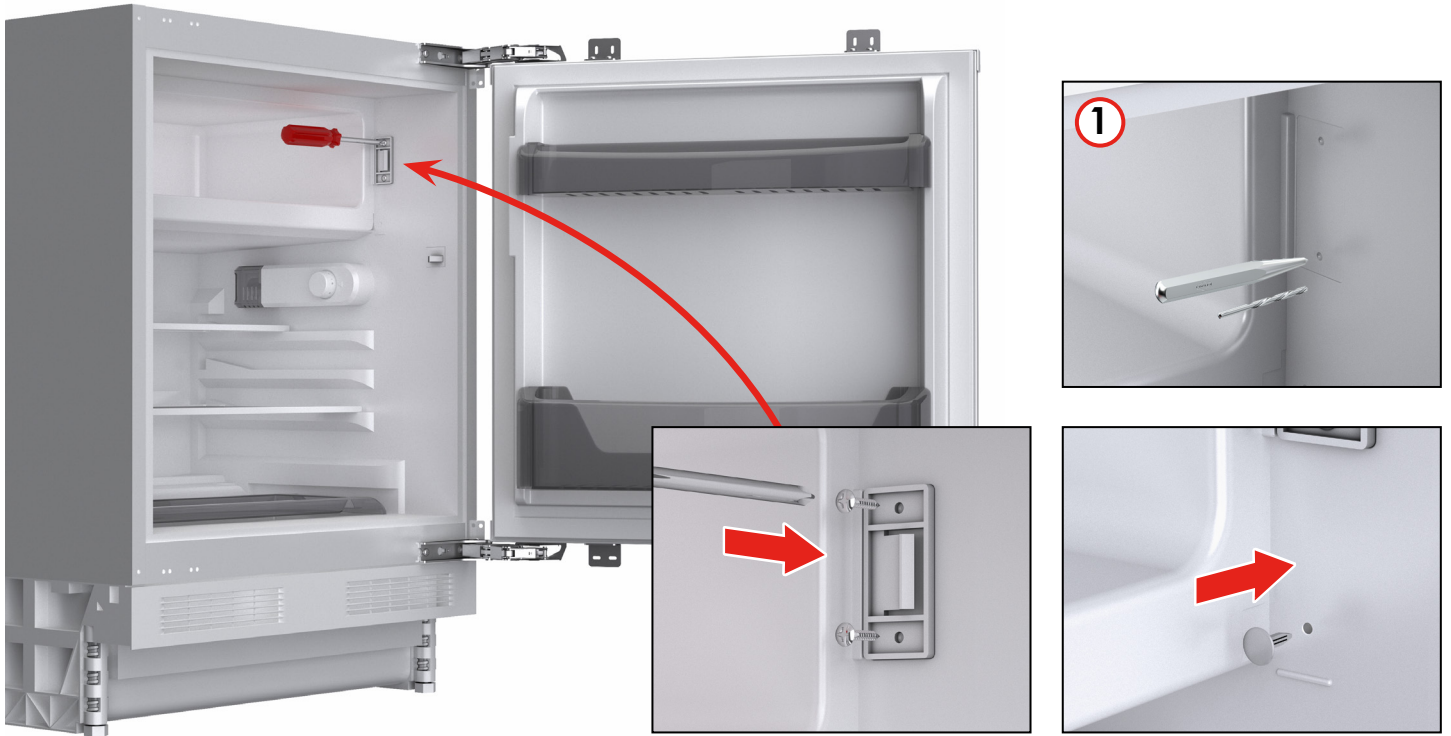
1 - Open inner freezer door, remove screws and door catch, note orientation of catch.



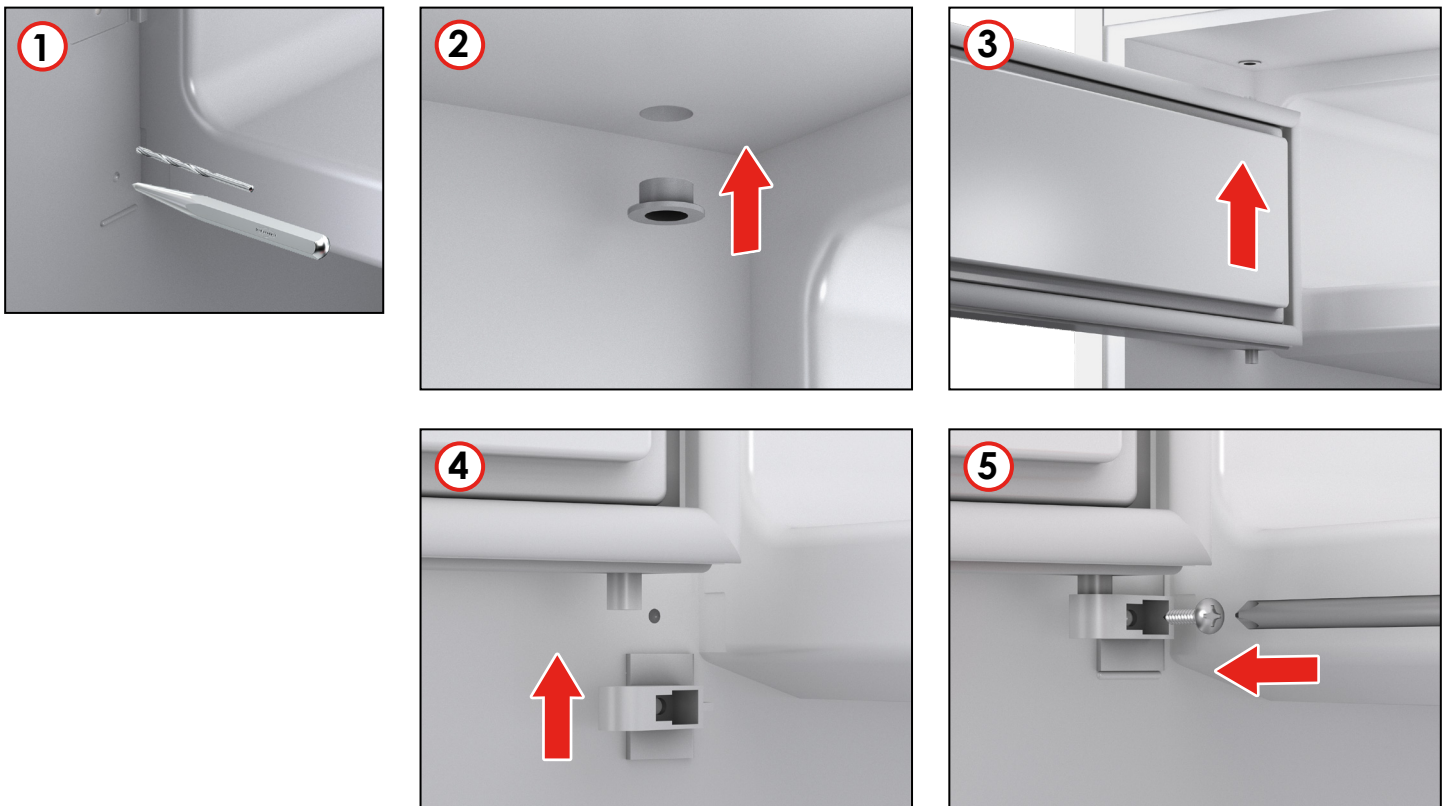
2 - Remove screw and hinge pivots, ①, ②, ③.



- 3** - Carefully, using a centre punch or pilot drill the pre-marked holes on the side wall, **①**.
Fit door catch to side wall, (note orientation), and insert plastic plug in redundant hole.



- 4** - Carefully, using a centre punch or pilot drill the pre-marked hole on the side wall, **①**.
Insert upper hinge pivot, **②**.
Insert door into upper hinge pivot and raise lower hinge pivot to door pin, **③**, **④**.
Screw lower door hinge pivot into position, **⑤**.



- 5** - Check and confirm correct operation of inner freezer door.



Product serial number
(Place sticker here)

LAMONA



Product information correct at the time of publication in October 2023. The company has a policy of continuous product development and reserves the right to change any products and specifications given in this manual. Subject to the Terms and Conditions of Trading, a copy of the Howdens Terms and Conditions is available upon request. Copyright © 2023 Howden Joinery Ltd. All rights reserved.

Howden Joinery Ltd.
Thorpe Road, Howden, East Yorkshire. DN14 7PA England
Howdens Cuisines SAS. Z.A. du Bois Rigault Nord,
1 Rue Calmette, 62880 Vendin-le-Vieil, Cedex, France