

# LAMONA

at the heart of the kitchen

## Extra Tall Integrated Fridge Freezer

LAM6380



**Generic instructions, (to be used in conjunction with User Instructions).**

- Please read these installation instructions to ensure safe fitting and use of the appliance.
- The appliance should be fitted by a suitably competent and qualified person.
- Please keep these instructions in a safe place for future reference.
- Danger of suffocation keep packaging material away from children.

ISSUE v1.6 131123

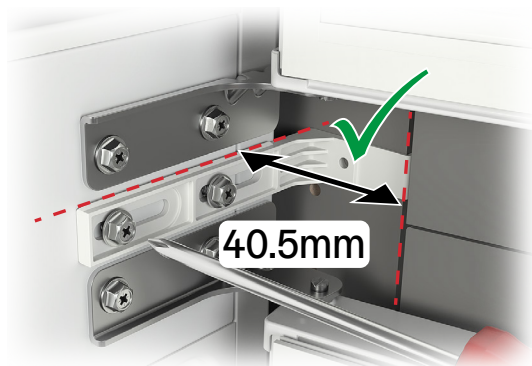
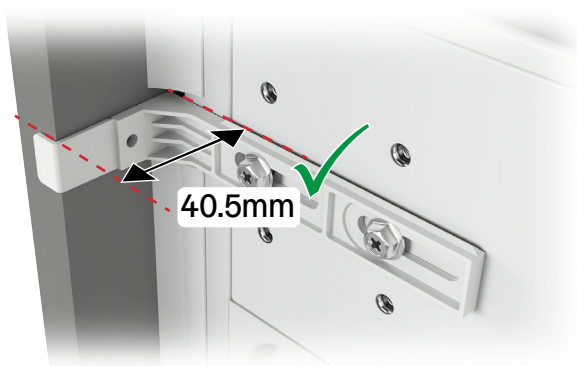
## Installation Instructions

Register   
my appliance

[www.howdens.com/appliance-registration](http://www.howdens.com/appliance-registration)

# Installation overview guide

1. Establish power socket location,  
(must be accessible after installation)
2. Prepare cabinet,  
(remove back panels) .....p.5
3. Fit and adjust décor doors .....p.5
4. Fit side seal trim to fridge freezer .....p.6
5. Protect cabinet edges with masking tape .....p.7
6. Lift fridge freezer into cabinet .....p.7
7. Level and align fridge freezer using front adjustable feet and  
spacer brackets .....p.7-8
8. Fix spacer brackets to fridge freezer and when in  
correct position screw to cabinet sides, (mid brackets then  
upper brackets).....p.8
9. Make any final feet adjustments to align fridge freezer to  
brackets and ensure correct spacing depths.....p.8
10. Tighten brackets to fridge freezer, (**DO NOT** over tighten).....p.8
11. Attach door sliders .....p.9
12. Remove bracket spacer tabs, install covers, screw cover caps ..p.9-10  
(A. Reverse fridge freezer doors if necessary .....p.12-13)



Please use brackets with tabs to ensure fridge freezer install depth is 40.5mm. (Use front feet adjustment to assist)

If installed deeper than 40.5mm (at either side) the fridge freezer doors may not close fully causing issues such as:-

**THE LIGHT WILL STAY ON**

**THE ALARM WILL SOUND** (\*Frost free models)

**THE FRIDGE FREEZER WILL NOT WORK CORRECTLY**

(Not cooling, icing-up, water leaking etc.)

# Safety Information



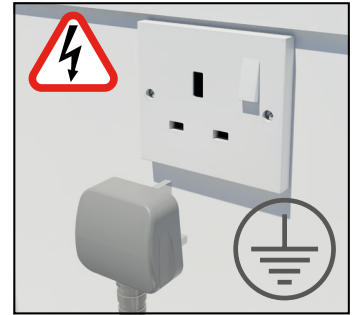
Two person lift.



Fridge freezer must be fixed securely and level.



**Do not** install a damaged appliance.



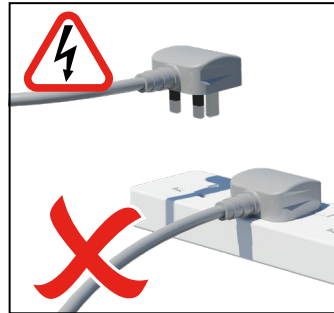
**WARNING!**  
This appliance must be earthed. The electric socket must be accessible after fitting.



**NOTE:** If the electricity cable is damaged it must be replaced by a competent person.



Risk of injury: Beware of metal edges. Use gloves when handling.



**WARNING!**  
**Do not** use extension cables / adapters.

Throughout this manual the following symbols are used.

	Warning for electric shock.		Warning for risk of fire / flammable materials.		Warning for injury or property damage risk.
--	-----------------------------	--	---	--	---

# Installation

## Tools required

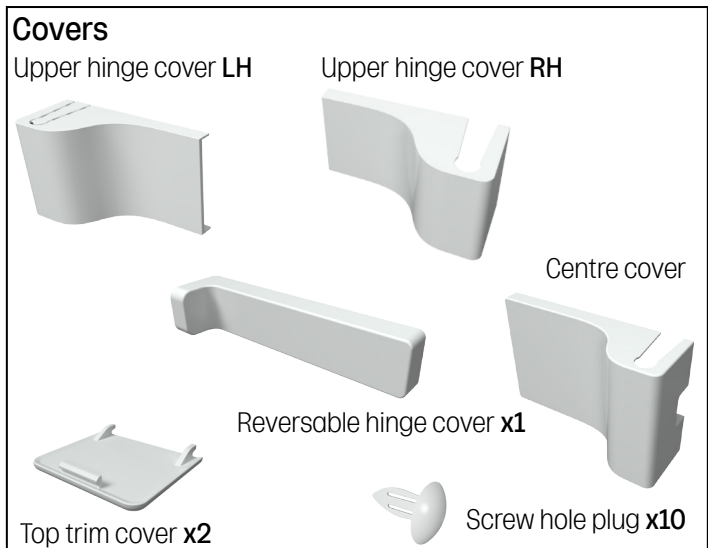
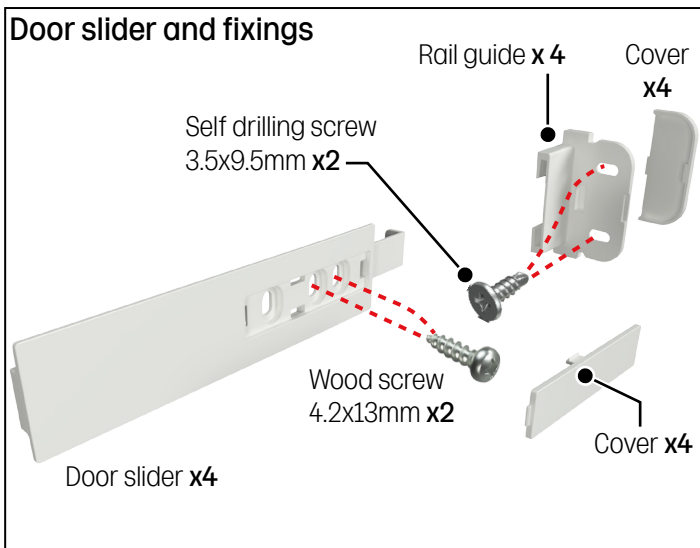
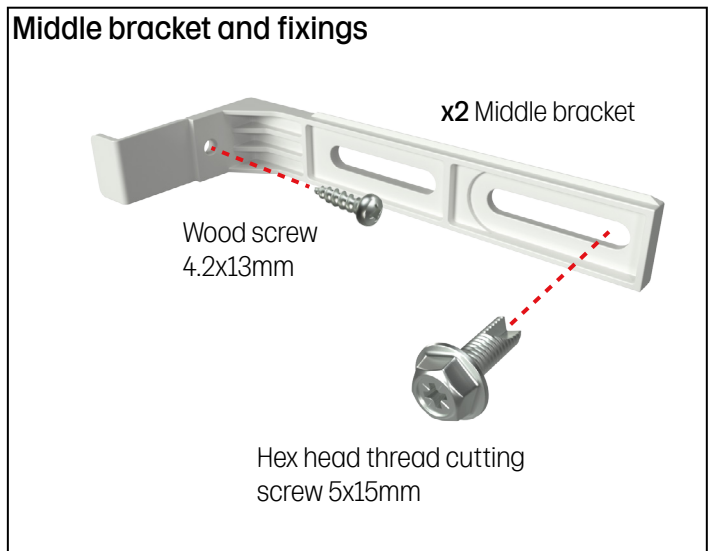
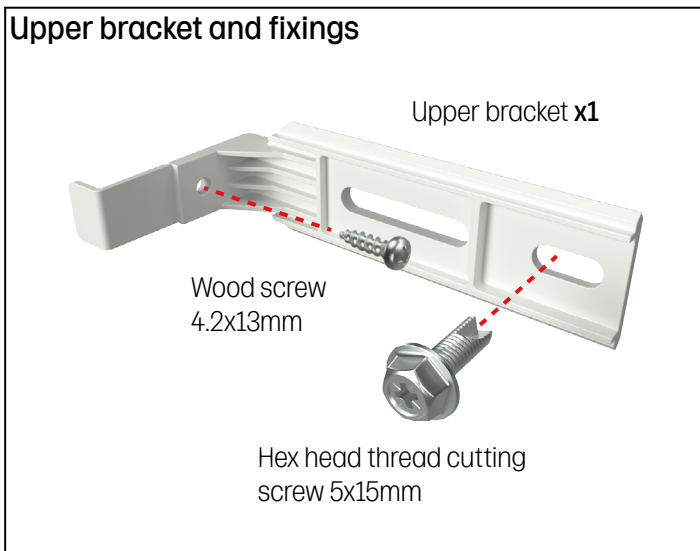
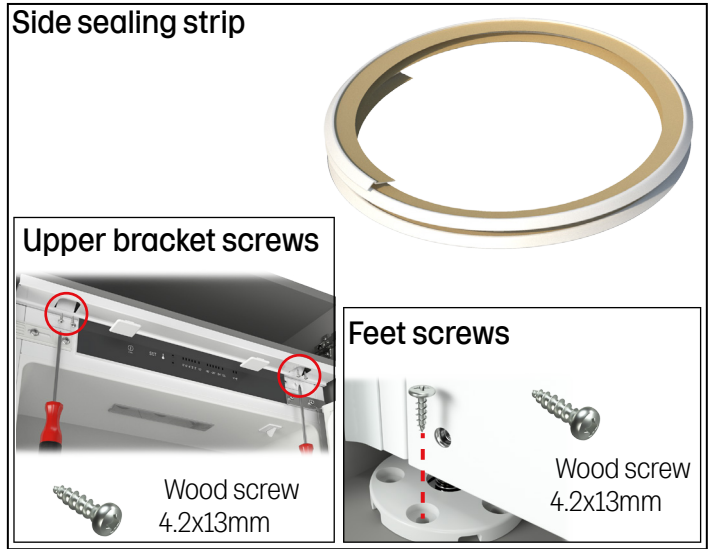
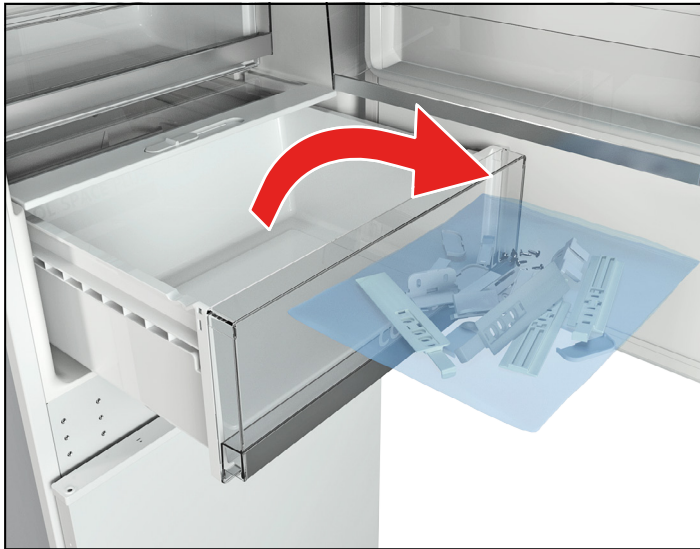


**DO NOT** use high speed impact power tools.

# Installation

Parts supplied - DO NOT THROW AWAY!

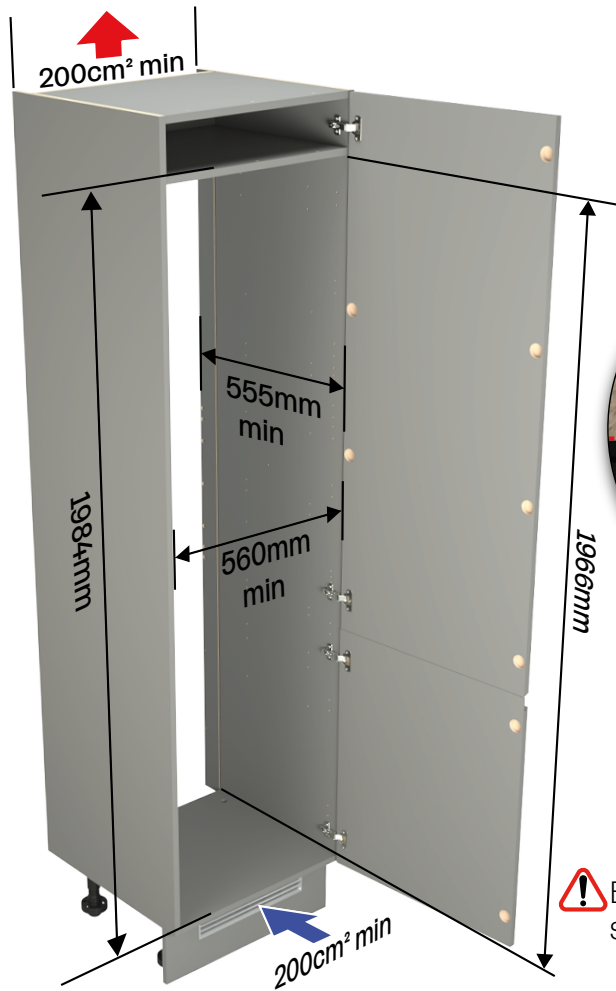
**NOTE:** Screw heads are Phillips size 2.



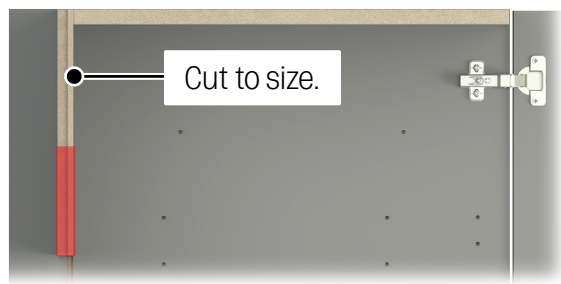
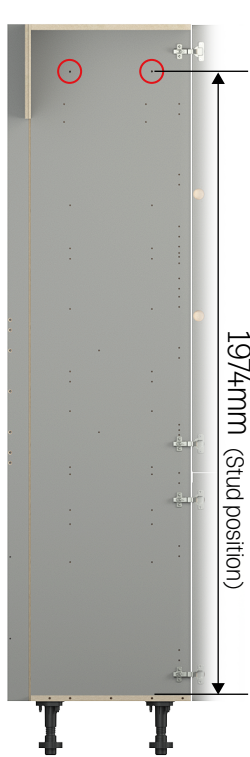
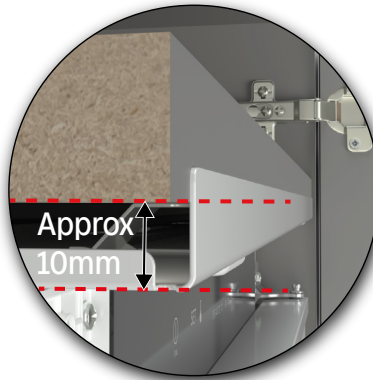
# Cabinet pre-build and airflow

Ensure rear panel is removed.

**IMPORTANT:** Airflow around the fridge freezer is essential. Ventilation channels must be free of obstruction.



⚠ Ensure the cabinet is secure, level and true.



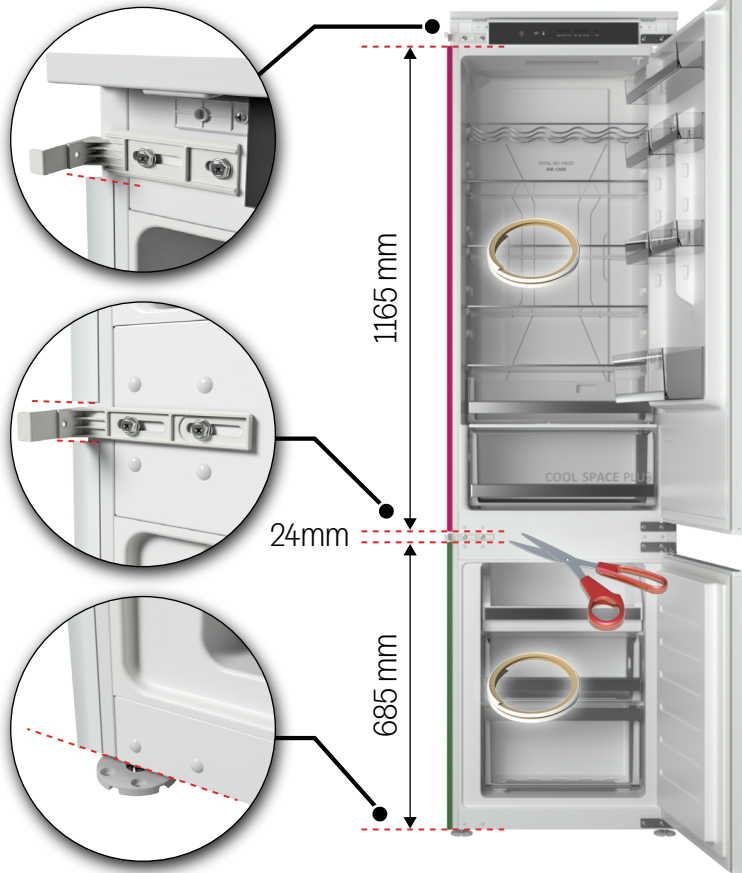
⚠ Plinth vent must be fitted.



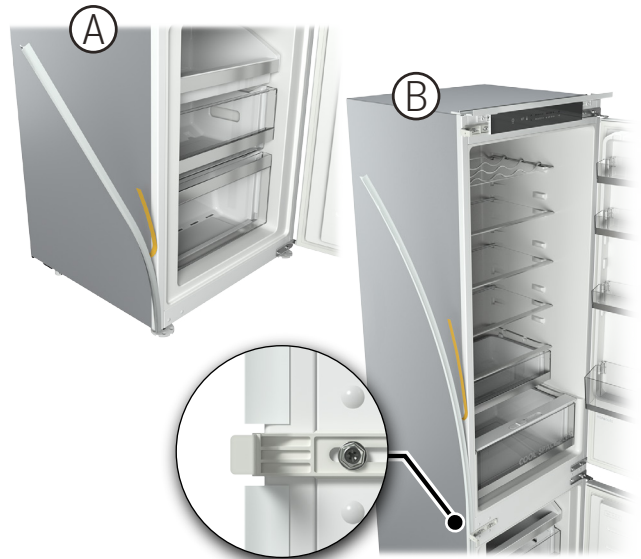
Howdens Kitchen Installation Manual

## Fit side seal trim

- ① Measure and cut side seal to fit between bracket zones.



- ② Apply seal, removing backing tape as you progress. Start from the bottom edge.

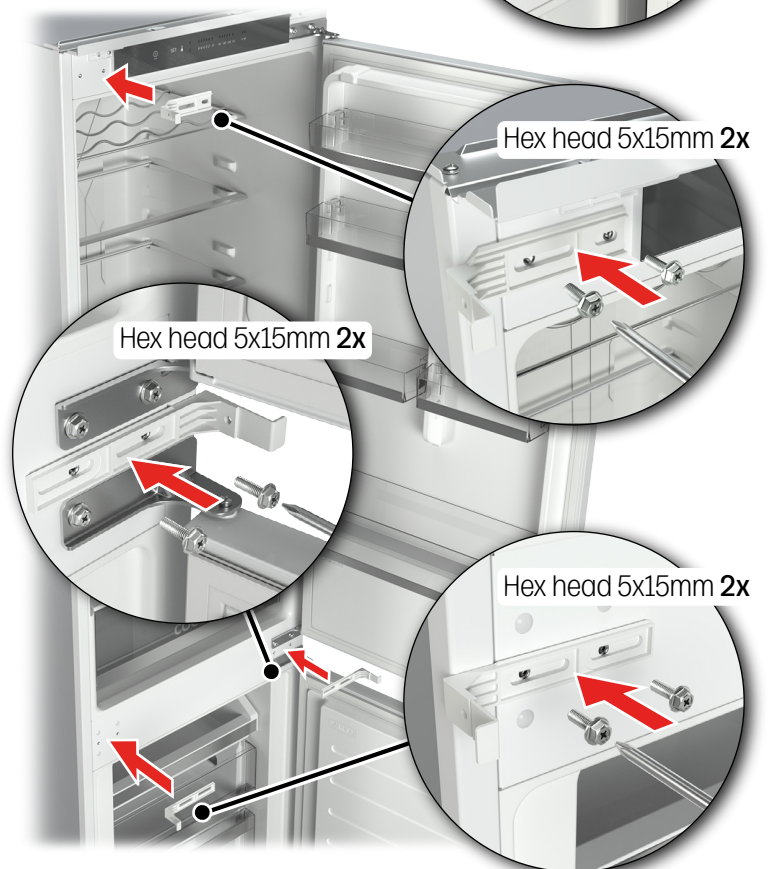


- ④ Loosely attach three spacer brackets.



Once fitted, slide them inboard.

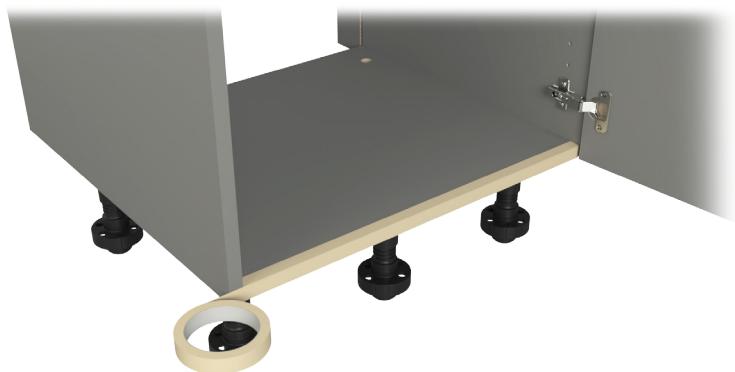
- ③ Remove screw hole covers.



# Inserting into cabinet



① Protect base edge with masking tape.



② Carefully lift appliance into cabinet. Place rear feet onto the base. Level, then gently slide into position.

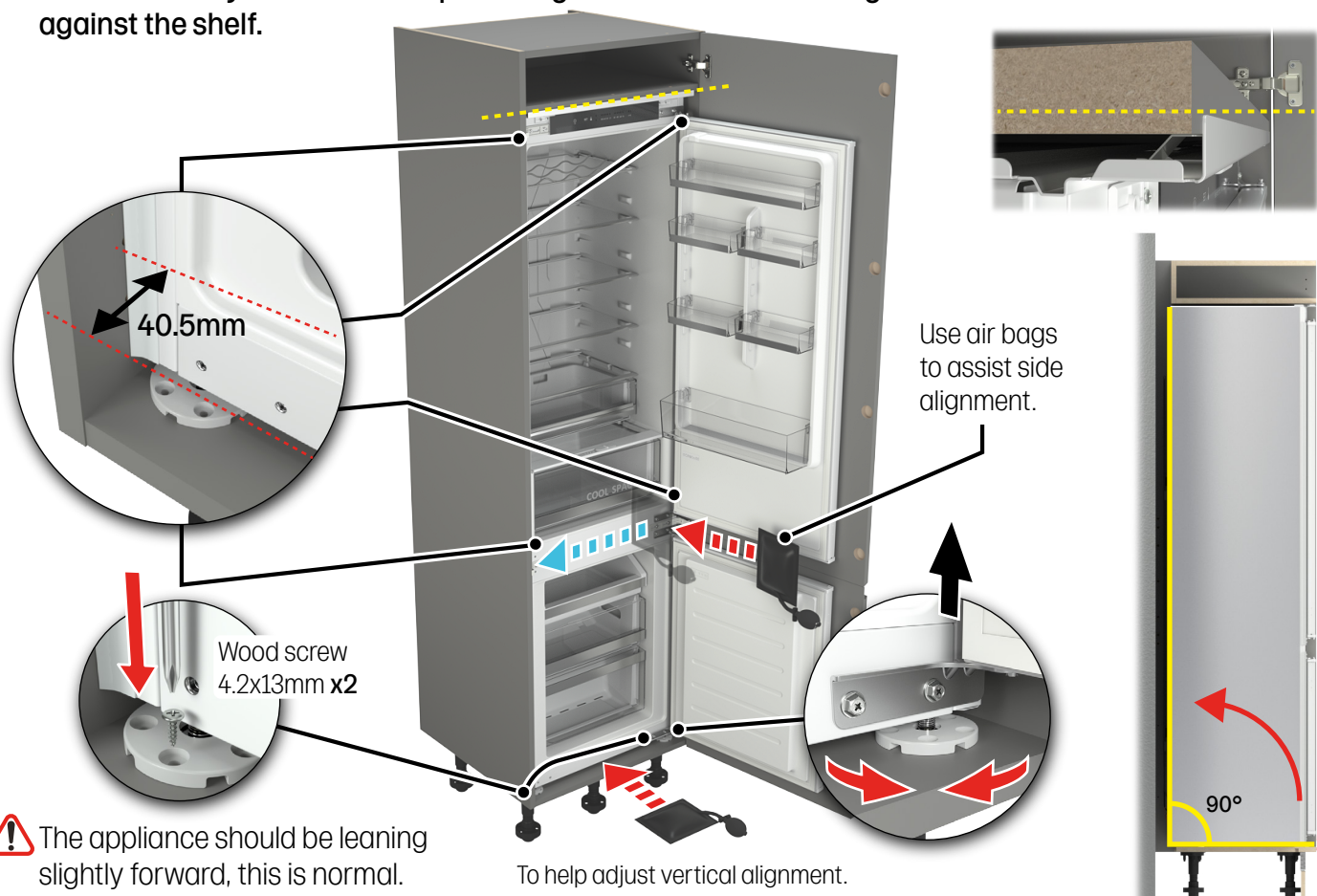


Slide brackets inwards to avoid obstructions.

⚠ Make sure feet are loose and adjustable.

③ Open doors, adjust feet so the appliance stands vertically true and the top trim aligns against the shelf.

④ Ensure the fridge freezer is 40.5mm back from the front edge of the cabinet.



Use air bags to assist side alignment.

Wood screw  
4.2x13mm x2

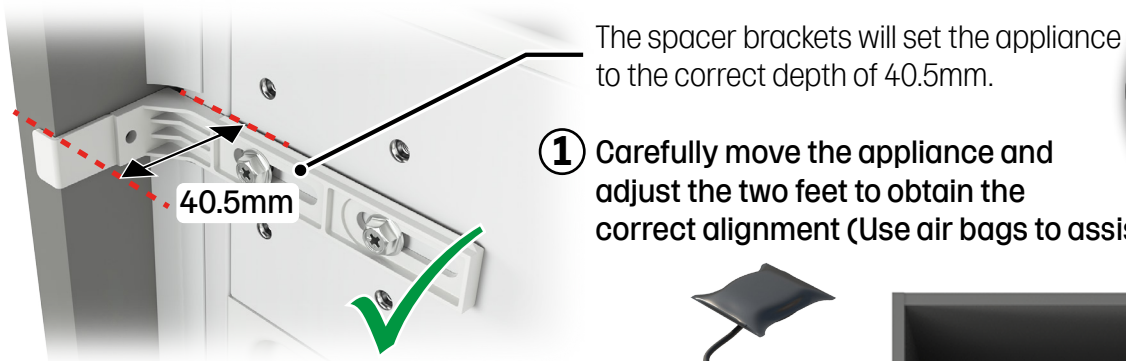
90°

⚠ The appliance should be leaning slightly forward, this is normal.

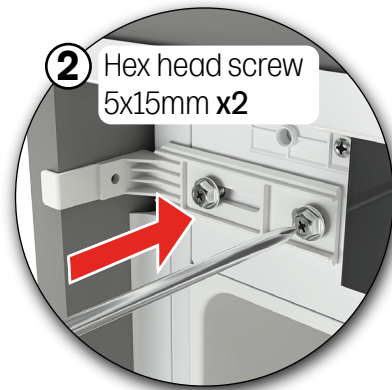
To help adjust vertical alignment.

## Securing the fridge freezer (vertically true and level in cabinet).

**!** The appliance should be set back 40.5mm from the front edge of the cabinet.



**1** Carefully move the appliance and adjust the two feet to obtain the correct alignment (Use air bags to assist).



**NOTE:** Screw heads are Phillips size 2.

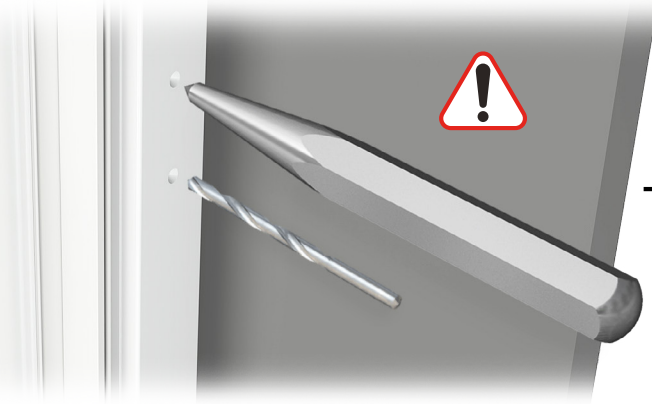
**!** **DO NOT** fully tighten brackets until spacing and alignment is correct (40.5mm).



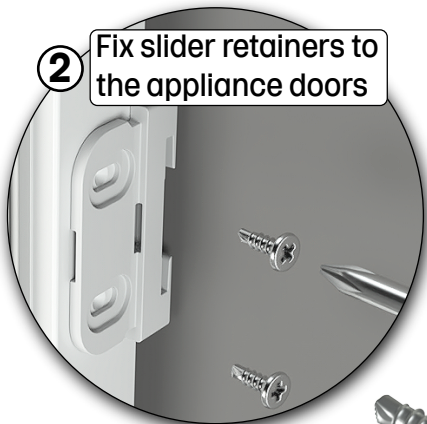


# Attach door sliders

① Punch or pilot drill the pre-marked holes on the appliance doors.



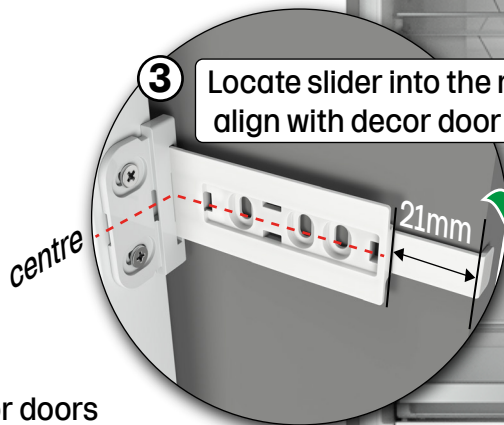
② Fix slider retainers to the appliance doors



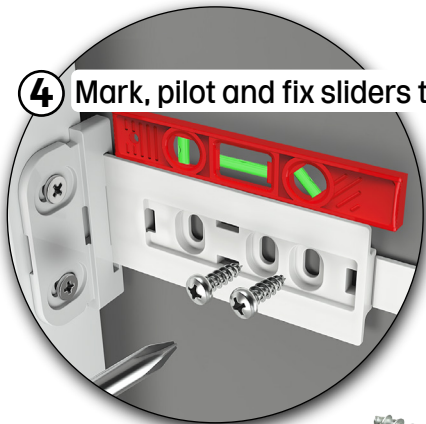
Self drilling screw 3.5x9.5mm x8

**NOTE:** Screw heads are Phillips size 2.

③ Locate slider into the retainer and align with decor door edge

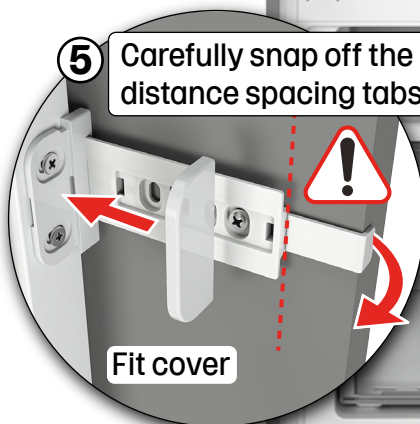


④ Mark, pilot and fix sliders to decor doors

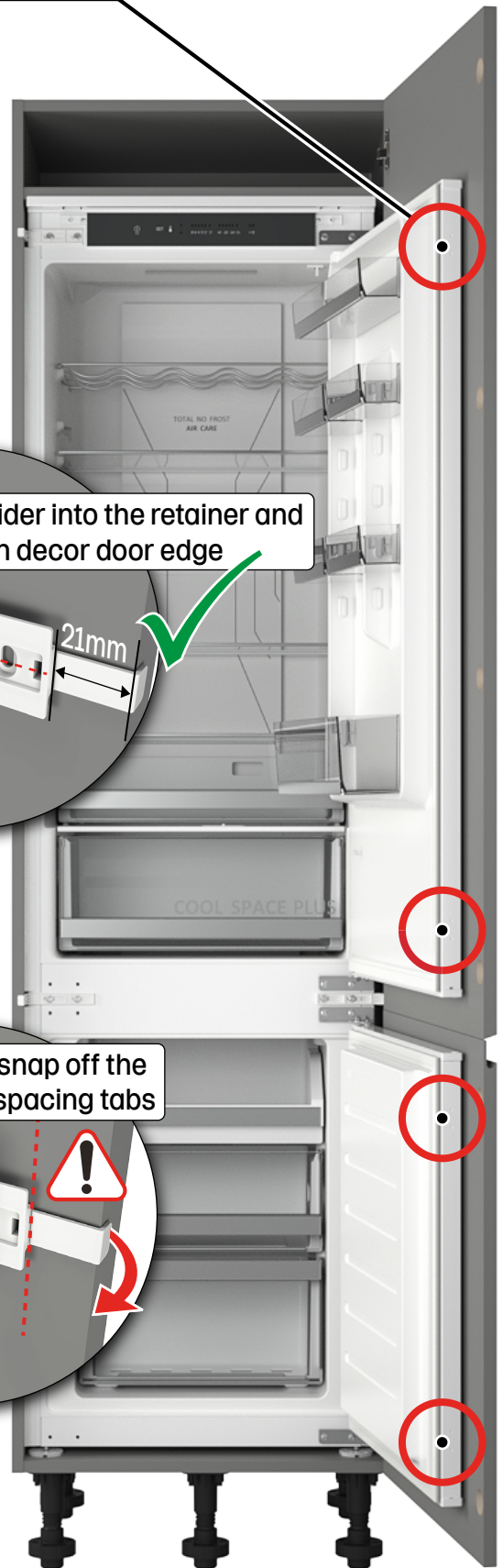
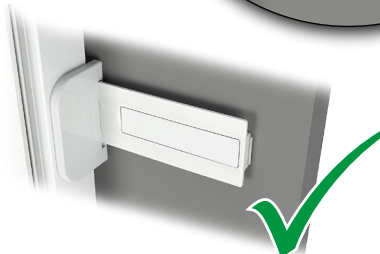
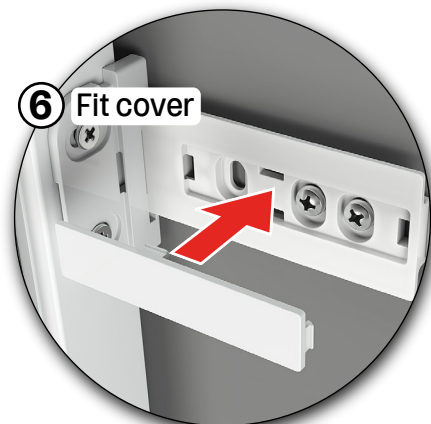


Wood screw 4.2x13mm x8

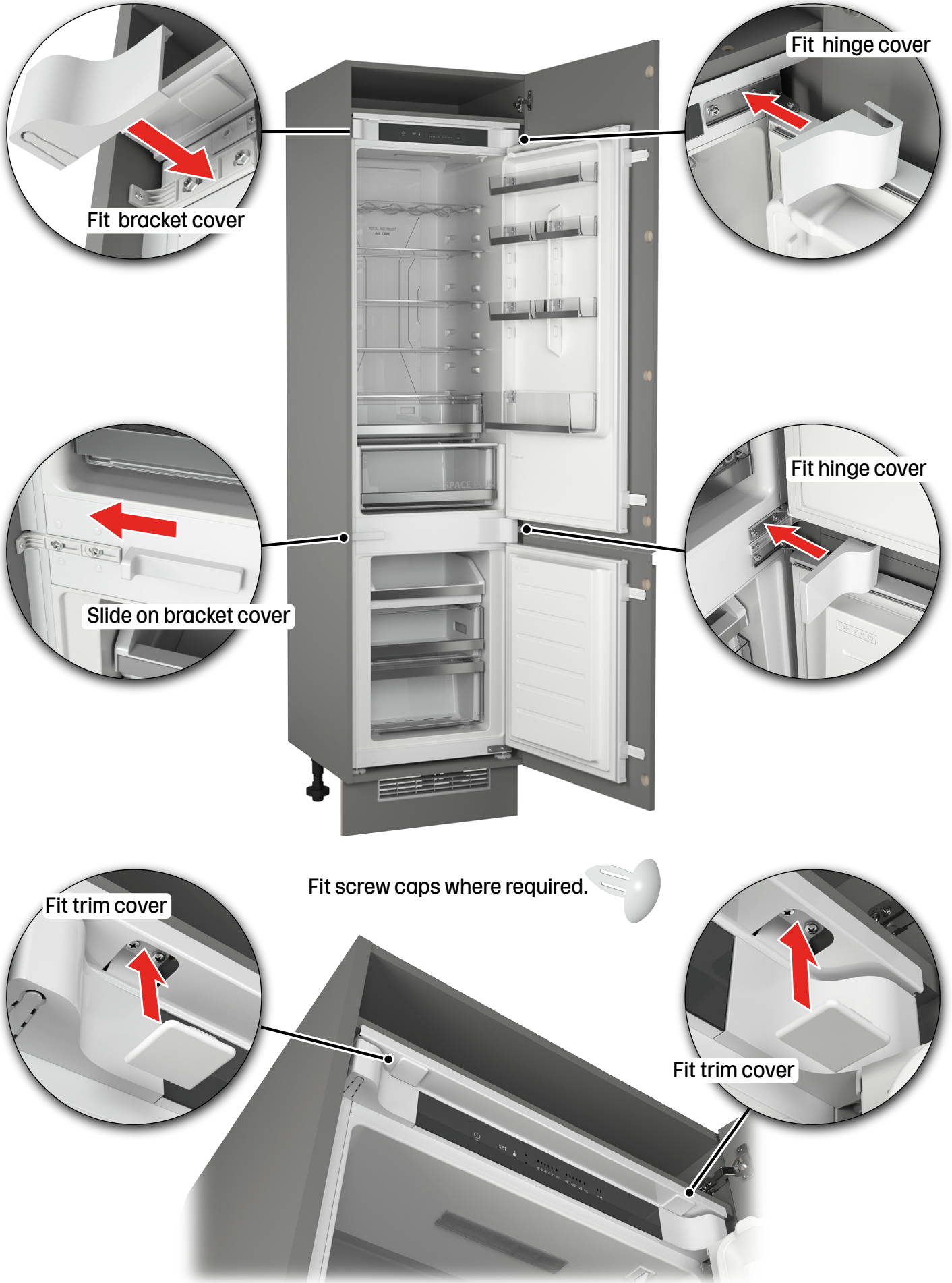
⑤ Carefully snap off the distance spacing tabs



⑥ Fit cover



# Fit covers

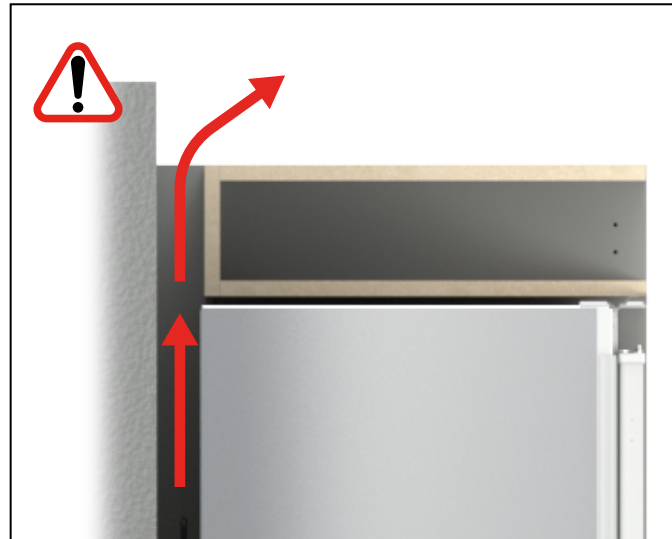


## Plinth vent

Fit a plinth vent for necessary airflow around the fridge freezer, see **Kitchen Installation Manual** for fitting instructions.




**Note: Plinth vent must be fitted.**

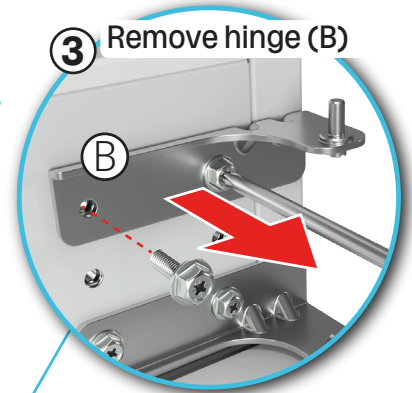
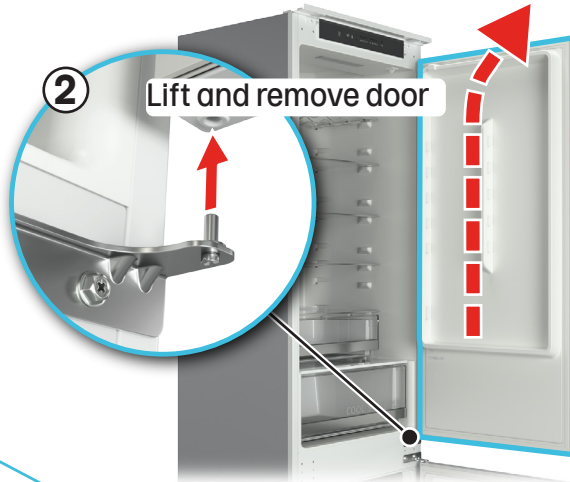
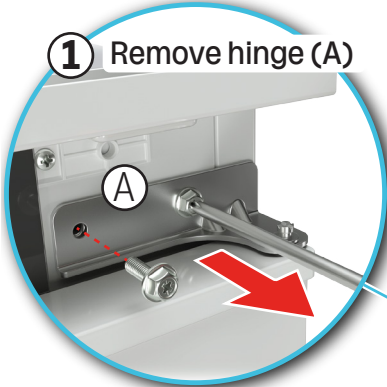



**Ensure warm air can exit at the top.**

# A. Reversing door opening

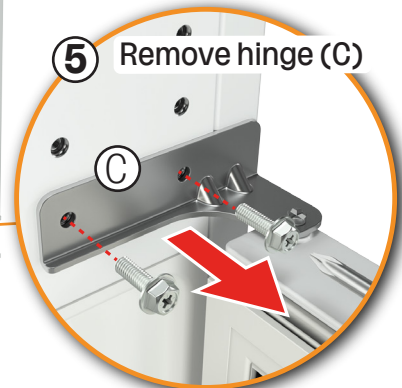
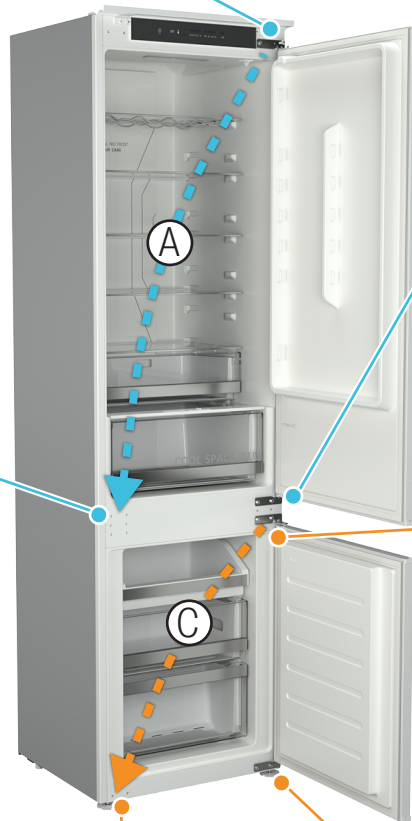
 If required, do this before installing into cabinet.


 (Remove cover caps, and door balconies).

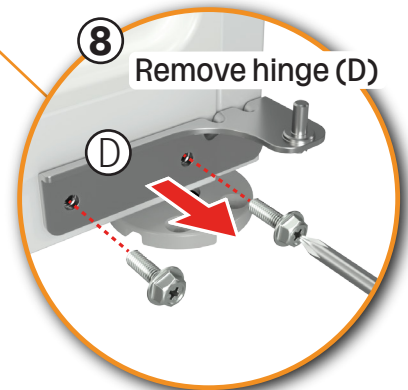
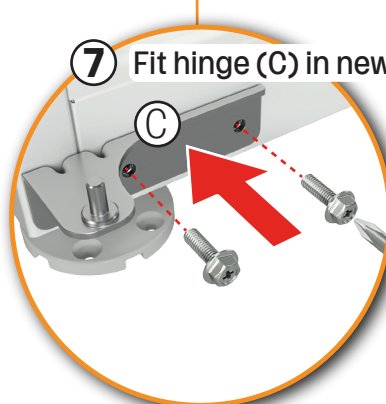


 **WARNING:** Support door when fitting hinge.

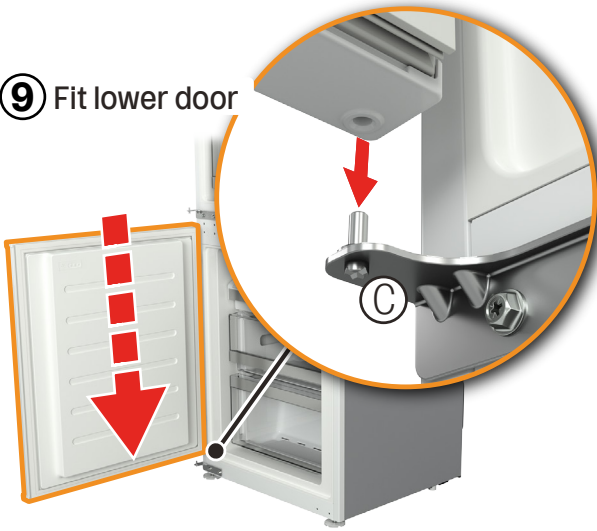
**NOTE:** Hex head socket or Phillips driver bit.



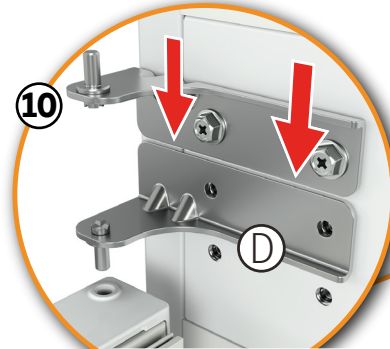
 **WARNING:** Support door when fitting hinge.



⑨ Fit lower door

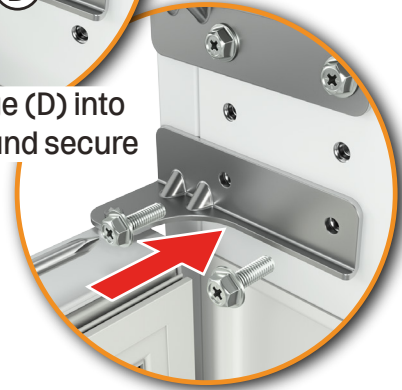


⑩

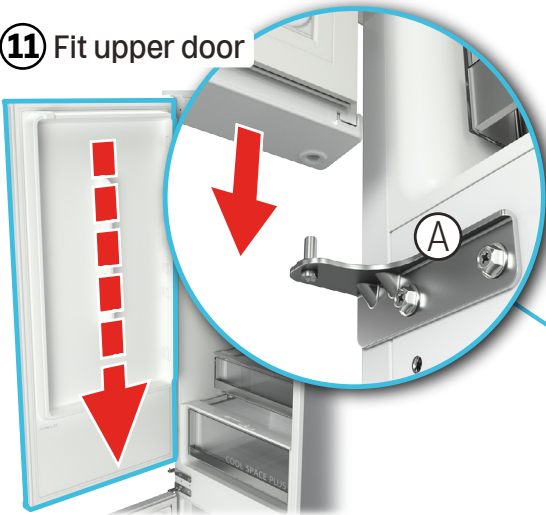


**! WARNING:**  
Support door  
when fitting hinge.

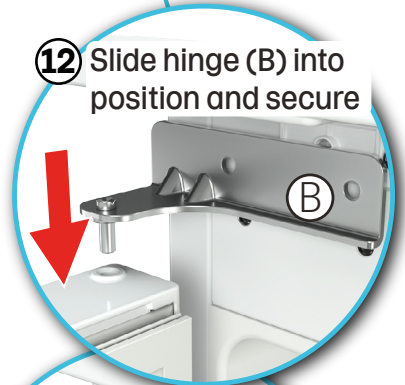
Slide hinge (D) into  
position and secure



⑪ Fit upper door



⑫ Slide hinge (B) into  
position and secure



**! WARNING:**  
Support door  
when fitting hinge.









Product serial number  
(Place sticker here)

# LAMONA



Product information correct at the time of publication in November 2023.  
The company has a policy of continuous product development and reserves the right to change any products and specifications given in this manual. Subject to the Terms and Conditions of Trading, a copy of the Howdens Terms and Conditions is available upon request.  
Copyright © 2023 Howden Joinery Ltd. All rights reserved.

Howden Joinery Ltd.  
Thorpe Road, Howden, East Yorkshire. DN14 7PA England  
Howdens Cuisines SAS. Z.A. du Bois Rigault Nord,  
1 Rue Calmette, 62880 Vendin-le-Vieil, Cedex, France