

LAMONA

Built-In Dishwasher

LAM8304
LAM8376



Generic instructions, (To be used in conjunction with User Instructions).

- Please read this Installation Manual to ensure safe fitting and use of the appliance.
- The appliance should be fitted by a suitably competent and qualified person.
- Please keep these instructions in a safe place for future reference.
- Danger of suffocation keep packaging material away from children.

Installation Instructions

ISSUE v1.4

Register
my appliance

www.howdens.com/appliance-registration



Safety Information



Two person lift.



Dishwasher must be fixed securely and level.



Risk of injury: Beware of sharp metal edges. Use gloves when handling.



Do Not install a damaged machine.



Ensure that all packing and transit protectors have been removed from the appliance before positioning.



Risk of damage to appliance: Do not attempt to move the appliance by the door.



Risk of damage to property: Take care of surrounding area when moving the appliance to prevent damage to flooring, wall coverings, pipes etc..



Warning: Beware of the instability of the appliance prior to being fitted into position.

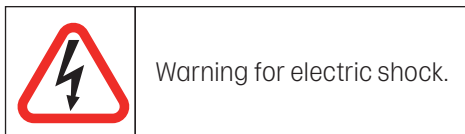


NOTE: Do not leave the dishwasher door open. Be careful not to trip over open door.



NOTE: If the electricity cable is damaged it must be replaced by a competent person.

Throughout this manual the following symbols are used.



Warning for electric shock.



Warning for risk of fire / flammable materials.



Warning for injury or property damage risk.



DO NOT KINK HOSES BEHIND MACHINE!
Machine will not work properly.

If after installation upon 1st use an error code is displayed,



or machine does not fill / empty - **CHECK HOSES** for kinks.



Safety Information (continued)

Electrical connection

WARNING! Risk of fire and electric shock.

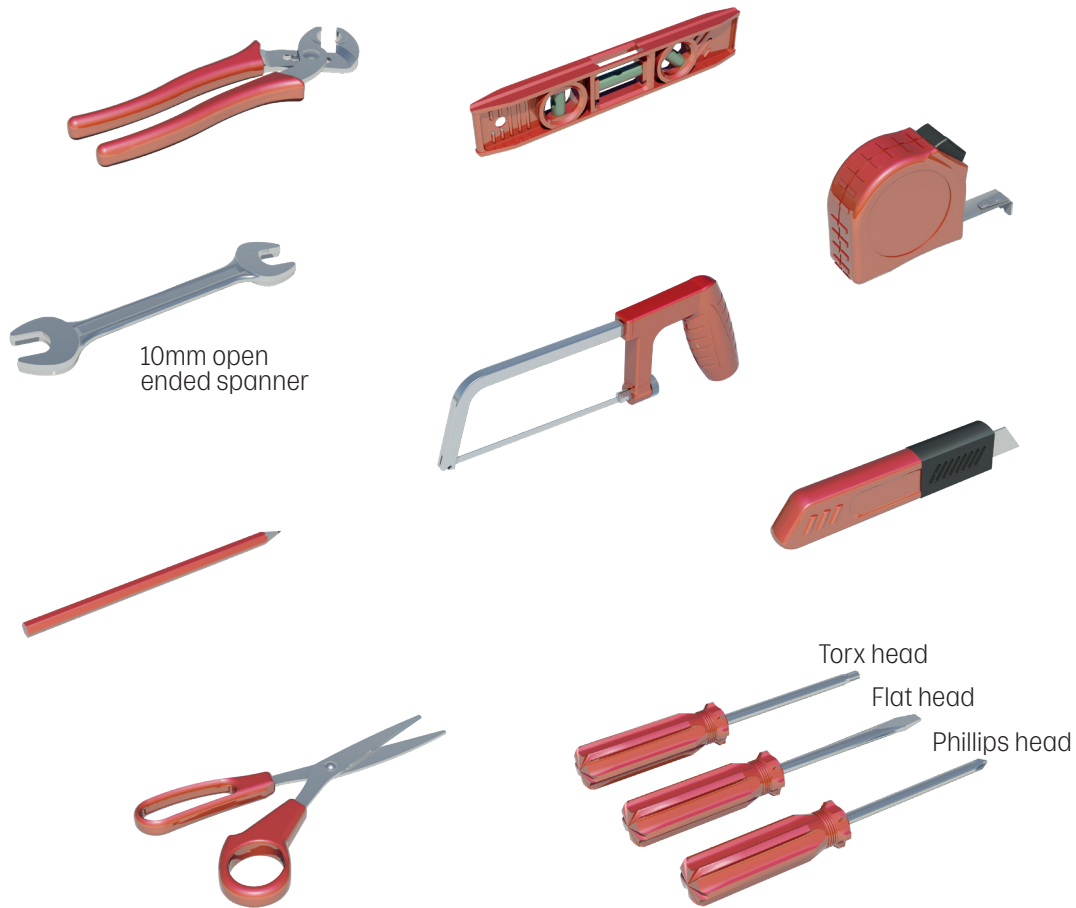
- The appliance must be earthed.
 - Make sure that the electrical information on the rating plate agrees with the power supply. If not, contact an electrician.
 - **Do not** use multi-plug adapters and extension cables.
 - Avoid damage to the mains plug and mains cable. Should the mains cable need to be replaced, contact a **LAMONA** Authorised Service Agent or a suitably qualified person.
 - Connect the mains plug only at the end of the installation. Ensure access to the mains plug after the installation.
 - This appliance complies with all relevant E.U. Directives.
 - The appliance has a 13amp plug. Use fuse: 13amp ASTA (BS 1362).
- **Do not** kink or damage the hoses during installation.
 - Before you connect the fill hose to the appliance; let some water flow through to ensure all debris is removed.
 - We suggest you connect the fill hose and open the water valve before pushing the appliance into position.
 - Check for leaks during and after installation and after first use.
 - If the water inlet hose is damaged, immediately close the water supply valve and disconnect the mains plug from the mains socket.
 - The appliance is to be connected to the water mains using the new hose-sets supplied with the appliance. **Do not** re-use old hose-sets.

Water connection (cold water supply)

Installation overview guide

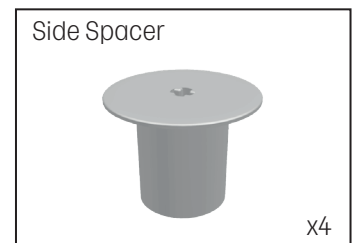
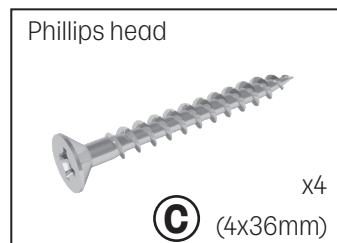
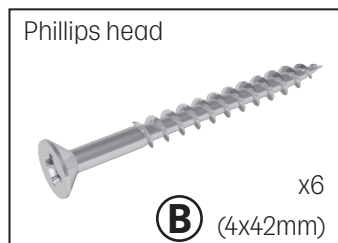
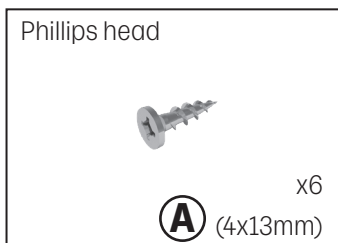
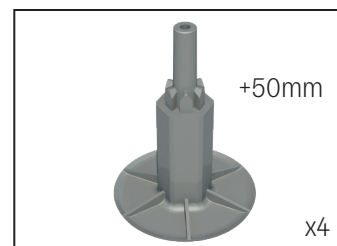
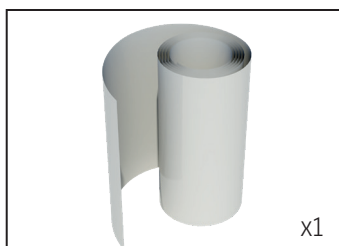
- | | | | |
|--|------|--|------|
| 1. Dimensions | p.6 | 8. Remove 'H' frame..... | p.10 |
| 2. Dishwasher connections..... | p.6 | 9. Standard decor door preparation..... | p.11 |
| 3. Fit feet and raise 10-15mm below
worktop height..... | p.8 | 10. Decor drawer frontals preparation | p.11 |
| 4. Profile kitchen..... | p.8 | 11. Fit decor door / decor drawer frontals | p.12 |
| 5. Protection strip for timber worktops..... | p.9 | 12. Final adjustment and secure dishwasher | p.13 |
| 6. Positioning the dishwasher | p.9 | 13. Fit plinth | p.14 |
| 7. Adjust feet and raise dishwasher to
underside of worktop (level) | p.10 | 14. Connect water/plumbing/electric..... | p.14 |
| | | 15. Profile Kitchen | p.15 |

Tools required



Installation

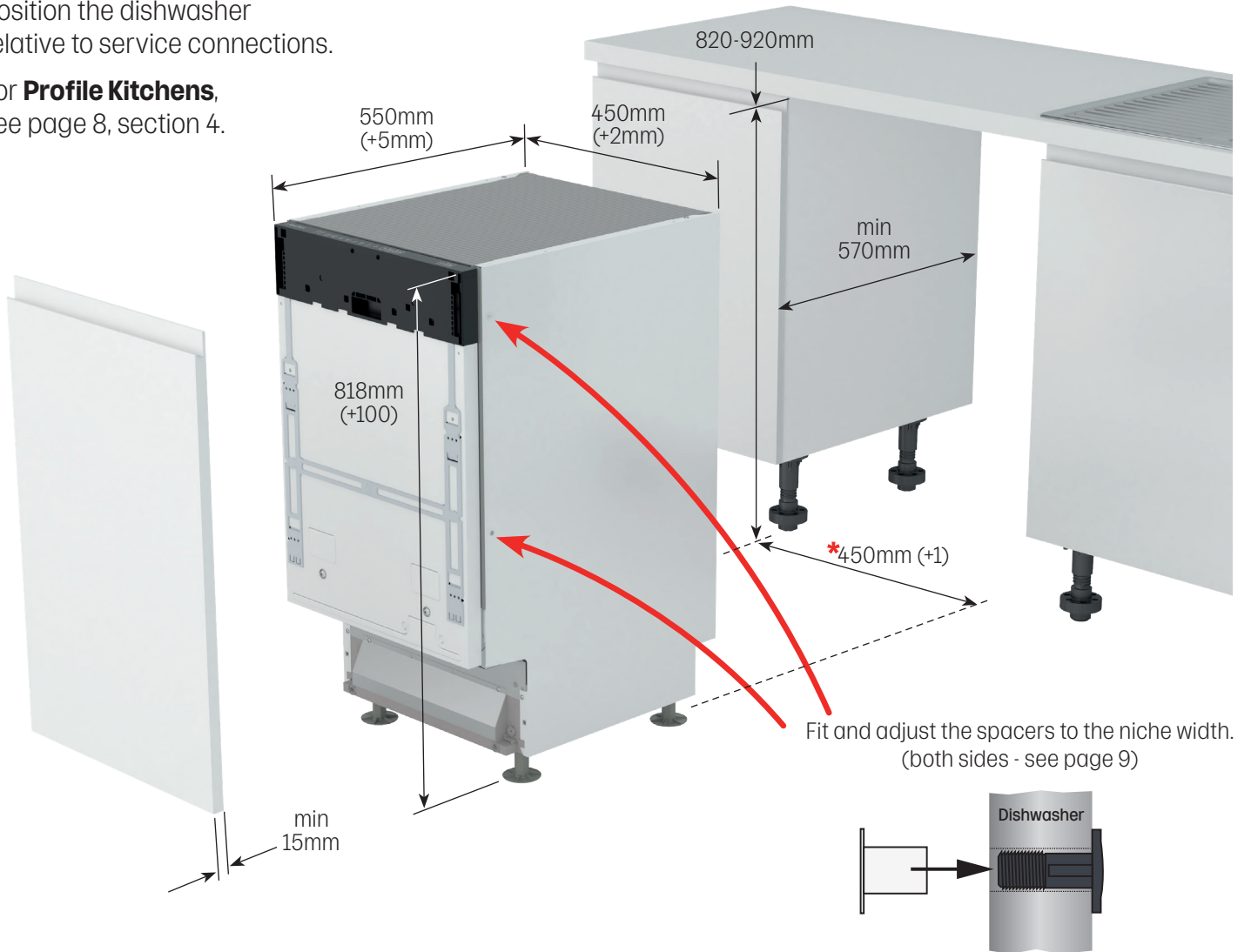
Parts supplied



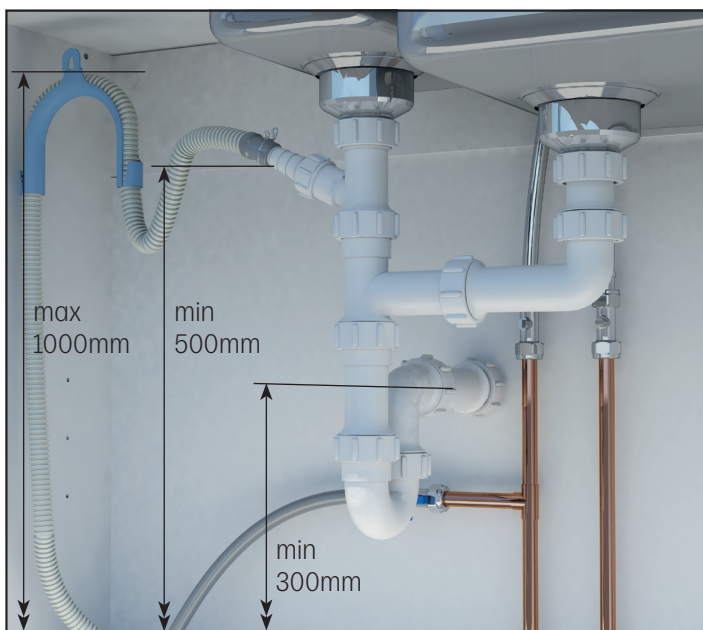
1 - Dimensions

Position the dishwasher relative to service connections.

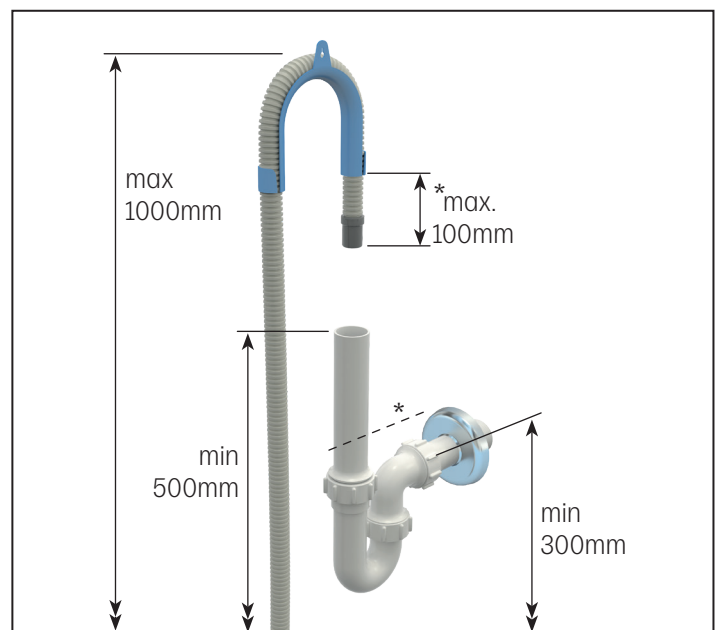
For **Profile Kitchens**, see page 8, section 4.



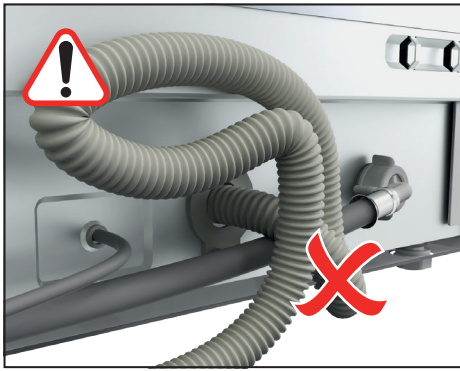
2 - Dishwasher connections



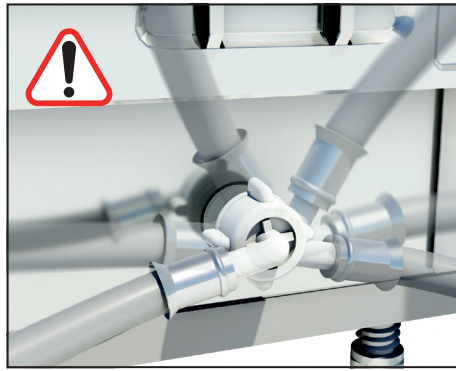
All dimensions are to the floor.



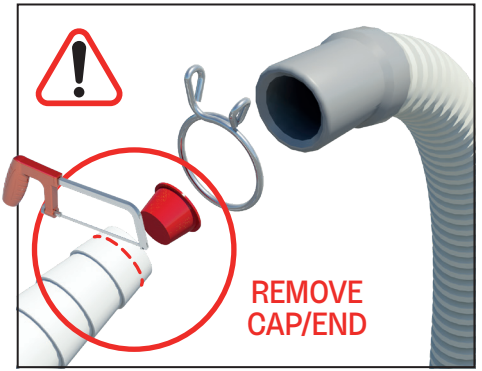
***DO NOT** insert the hose too deep into the waste pipe, (Maximum hose length, 3.2 metres).



NOTE: Ensure hoses are not kinked or trapped behind the dishwasher.

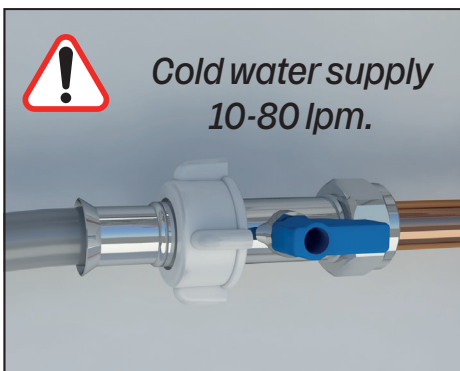


NOTE: If necessary loosen and rotate the water hose towards the water supply and re-tighten. (Always use the new hose supplied with the dishwasher).

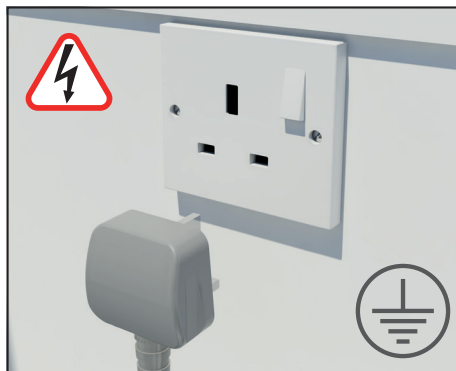


Ensure cap/end is removed from waste pipe spigot.

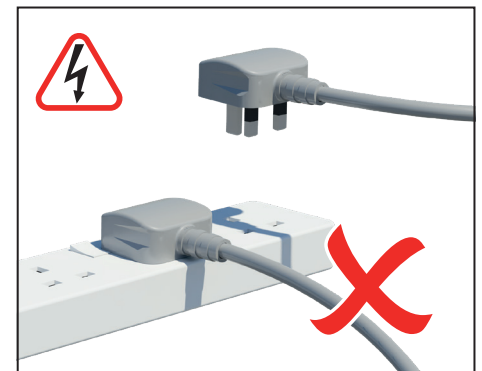
NOTE: Issues with hoses or drain will cause machine to malfunction.



Ensure water is turned on and the isolator valve is **accessible after fitting**.
Hose connection - 3/4".
Cold water pressure - 0.1 - 1Mpa (0.3 - 1.0 Bar)



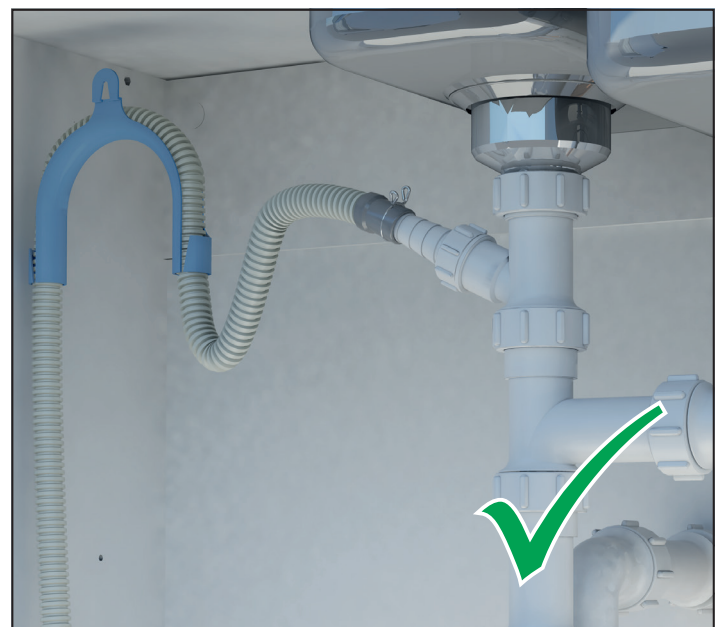
WARNING! This appliance must be earthed. (Socket must be accessible after fitting).



WARNING! Do not use extension cables / adapters.



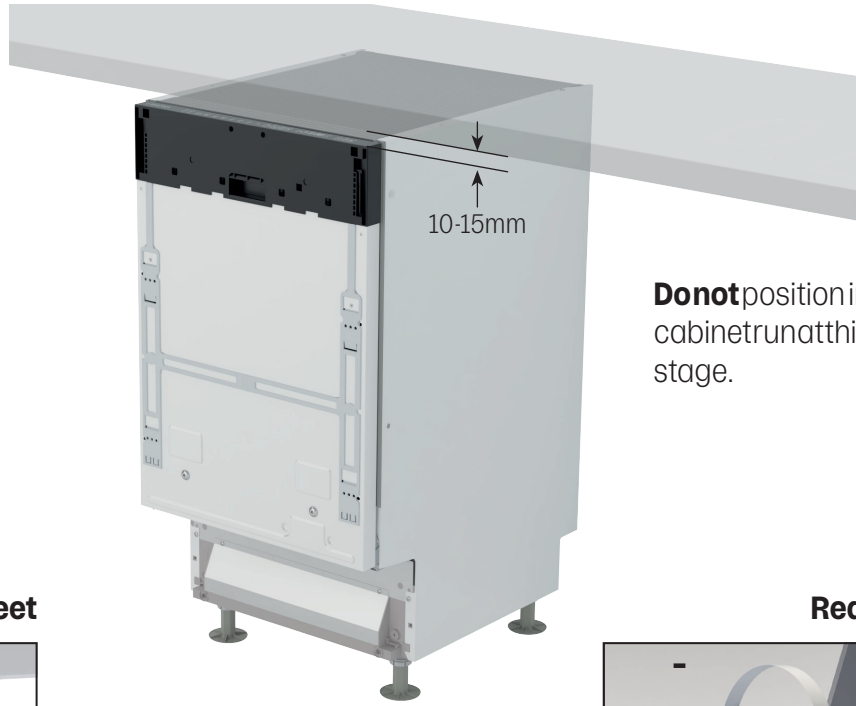
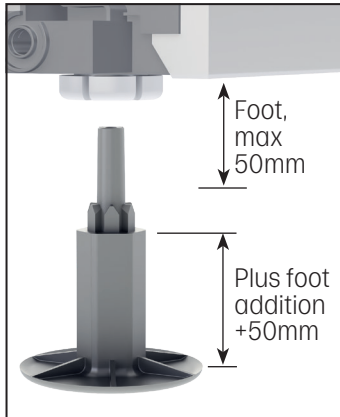
Incorrect waste pipe configuration.



Correct waste pipe configuration to avoid water flow from sink to dishwasher.

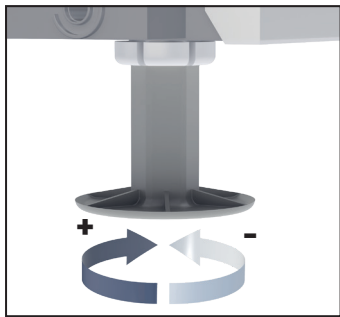
3 - Fit feet and raise to 10-15mm below worktop height

For standard installation extension feet need to be fitted.

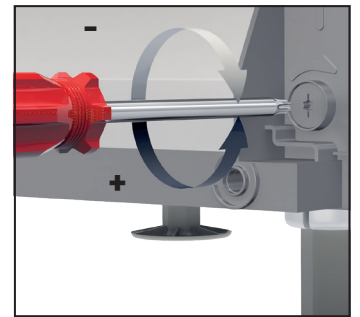


Do not position in cabinet run at this stage.

Front feet

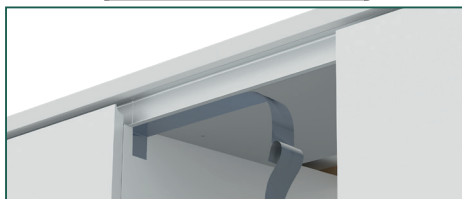
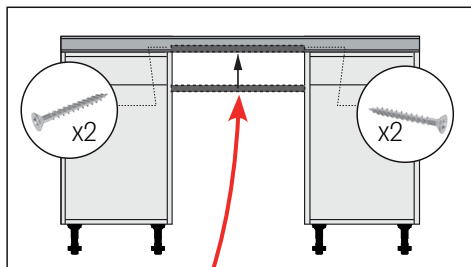


Rear feet



4 - Profile Kitchen

Pre-install an infill when fitting a dishwasher into a **Profile Kitchen**.



Apply moisture barrier tape.

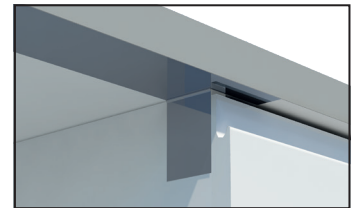
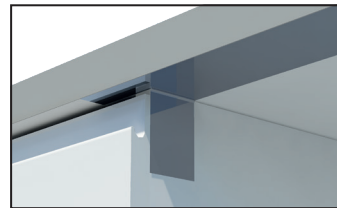
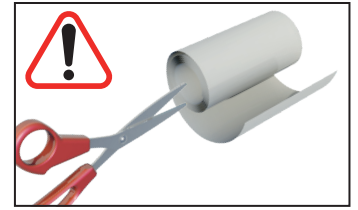
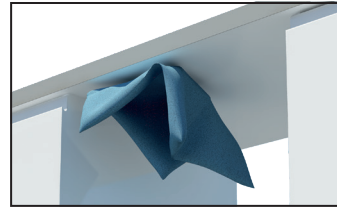
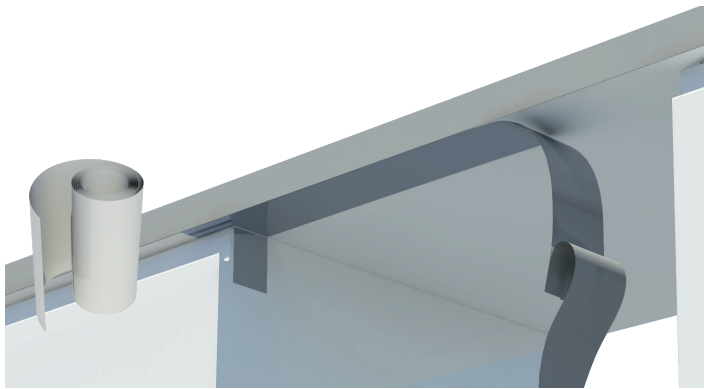


5 - Protection strip for timber worktops to avoid condensation damage

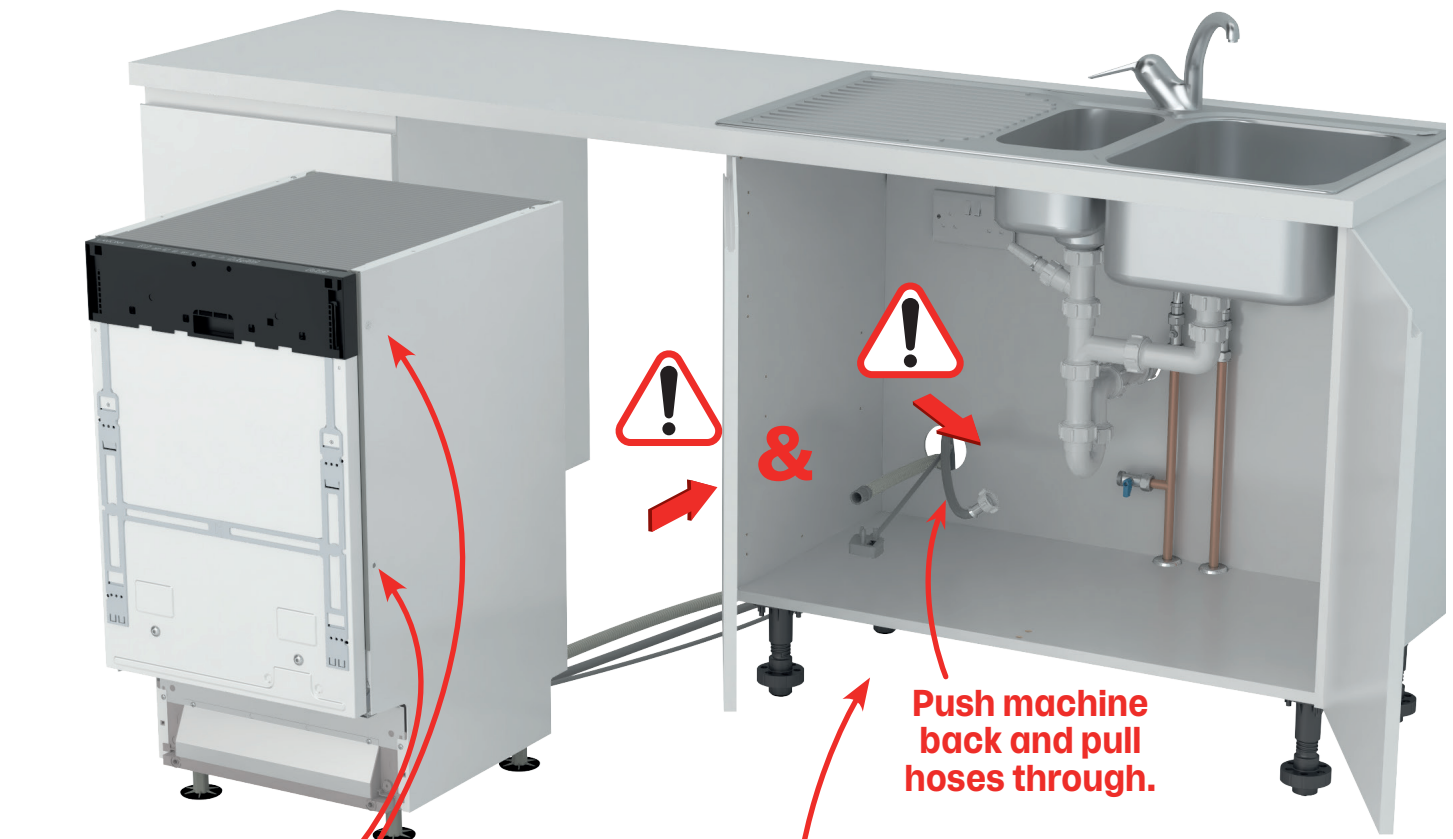
NOTE: This strip must be fitted to timber worktops to avoid damage. Ensure protection strip is set to edge of square edged worktops.

Ensure a clean and dust free surface.

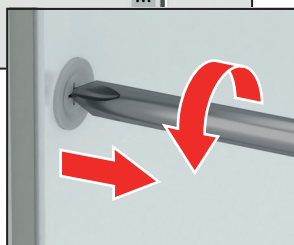
Cut to fit.



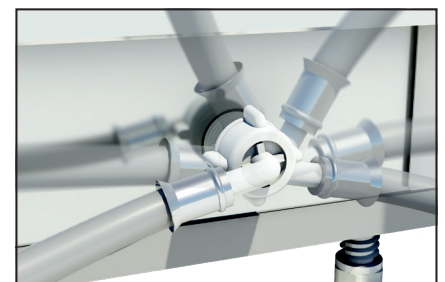
6 - Positioning the dishwasher



Adjust side spacer fixings

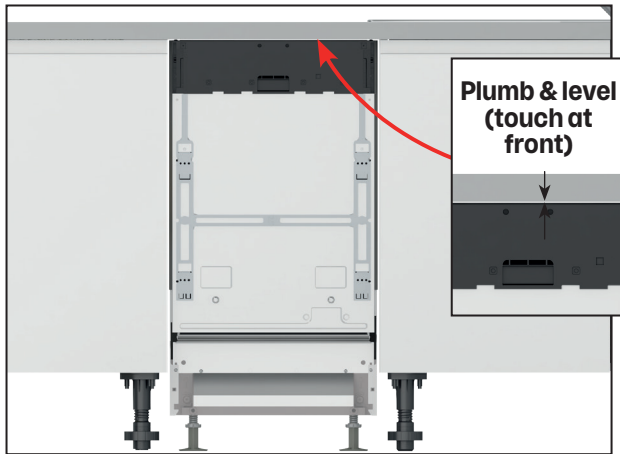


NOTE: Ensure hoses are not kinked or trapped behind the dishwasher.

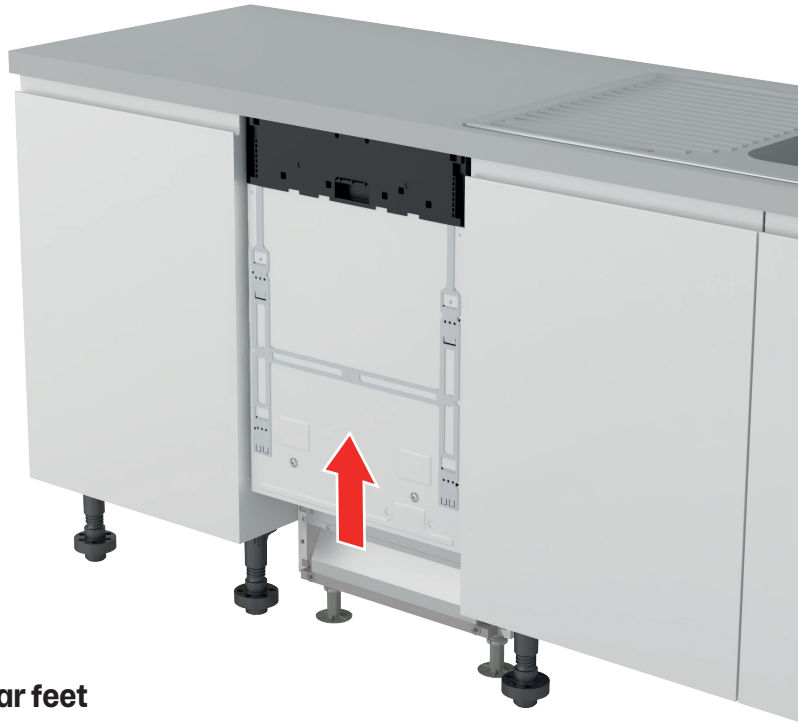


NOTE: If necessary loosen and rotate the water hose towards the water supply and re-tighten. Always use the new hoses supplied with the dishwasher.

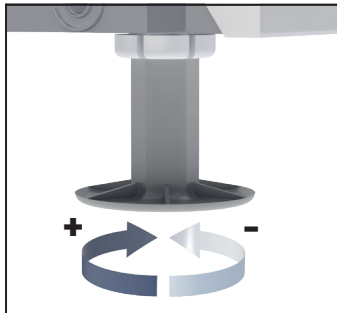
7 - Adjust feet and raise dishwasher to underside of worktop (level)



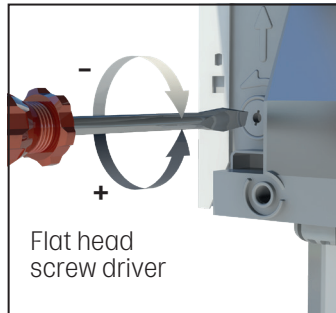
It is critical that the dishwasher is installed level.



Front feet

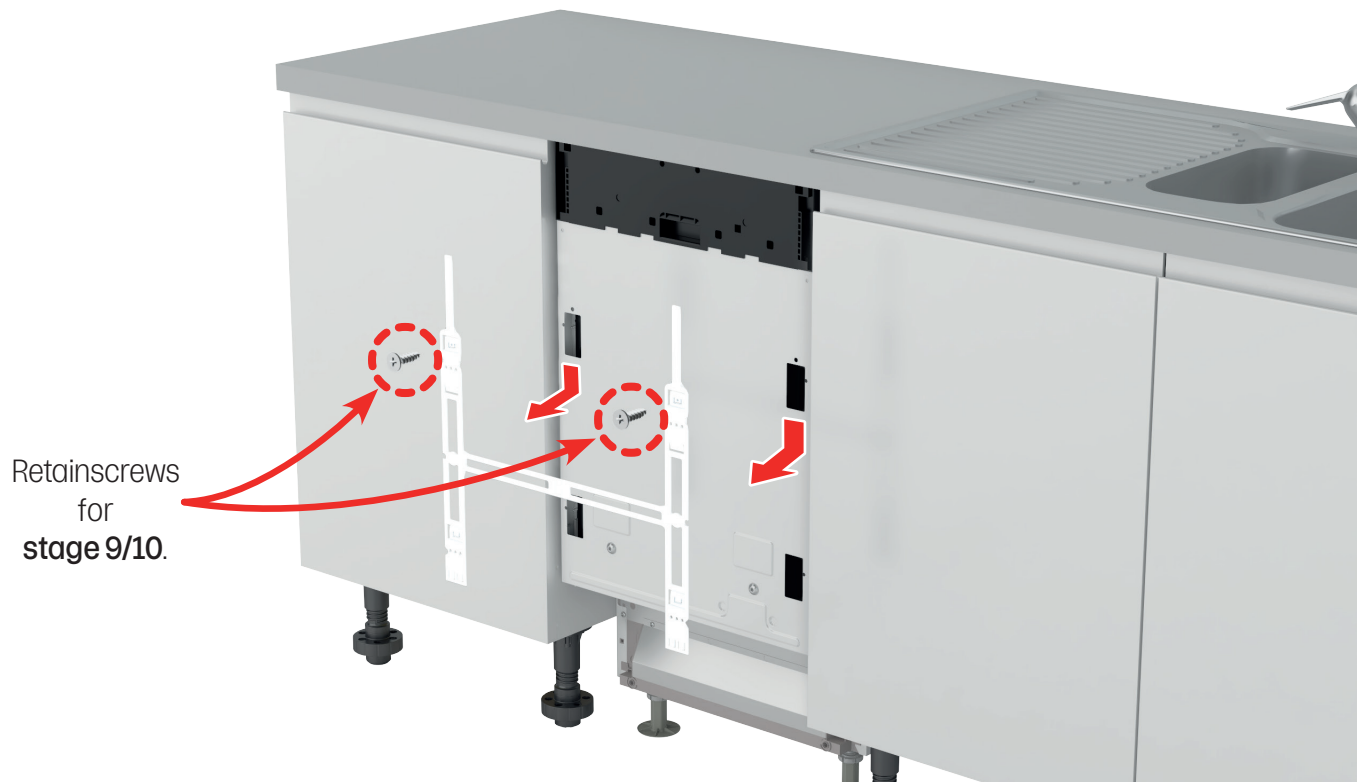


Rear feet

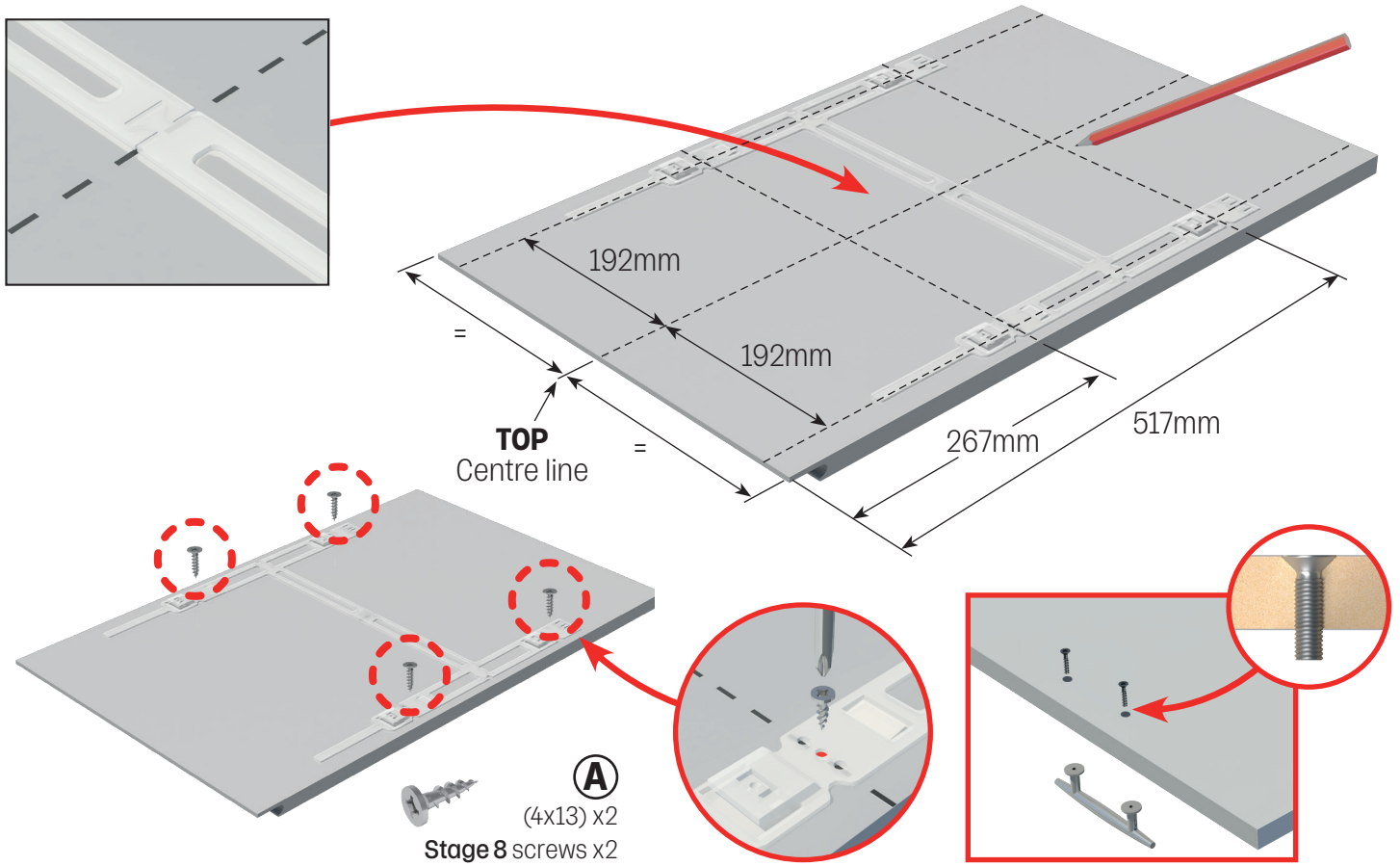


DO NOT use high speed impact power tools.
DO NOT damage the plastic screw heads.

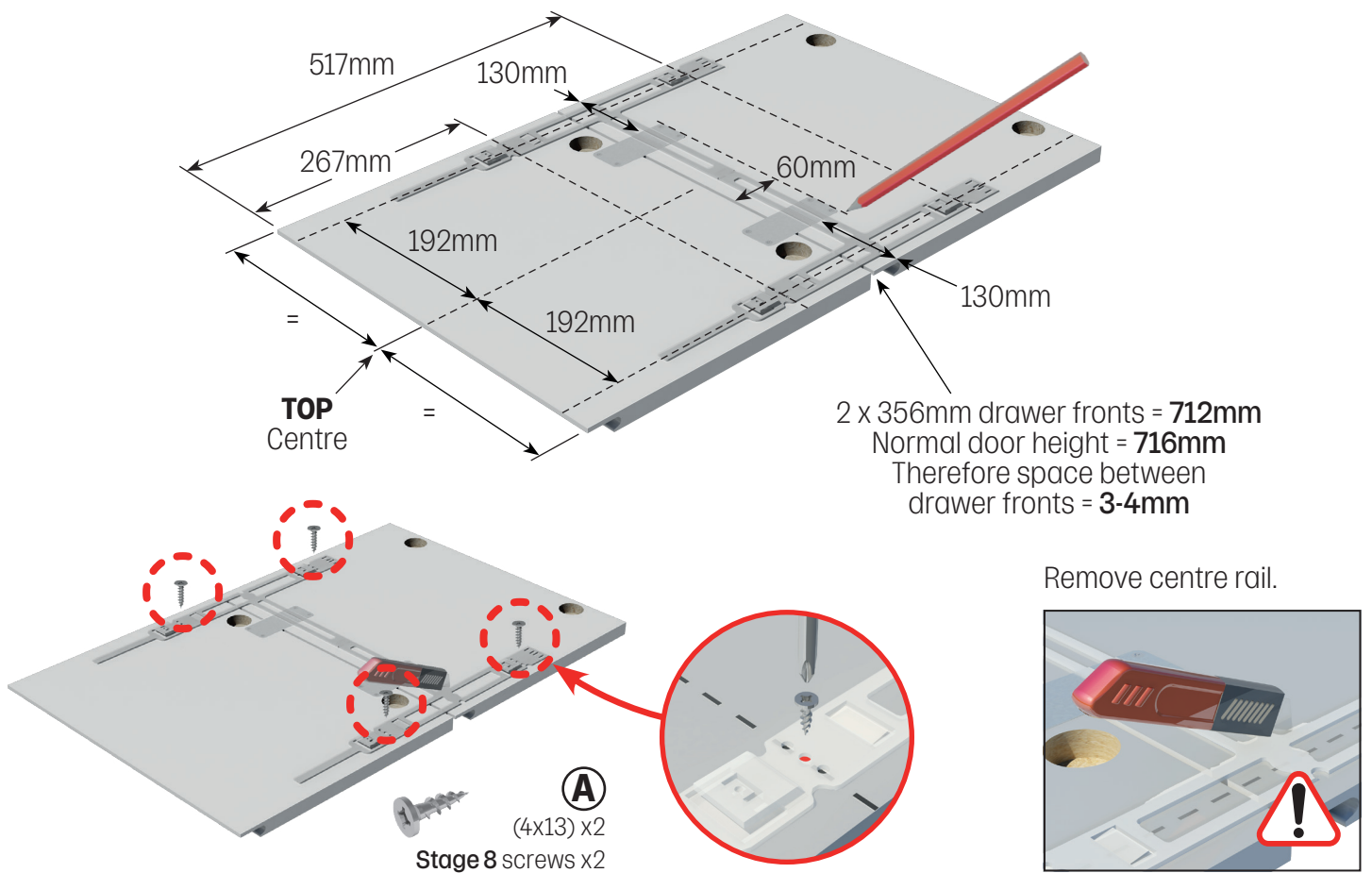
8 - Remove 'H' frame for frontal fitting



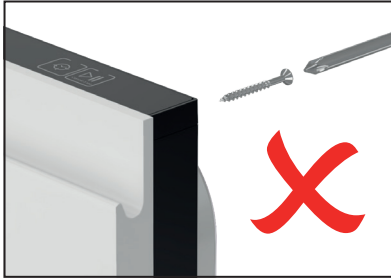
9 - Standard decor door preparation



10 - Decor drawer frontals preparation



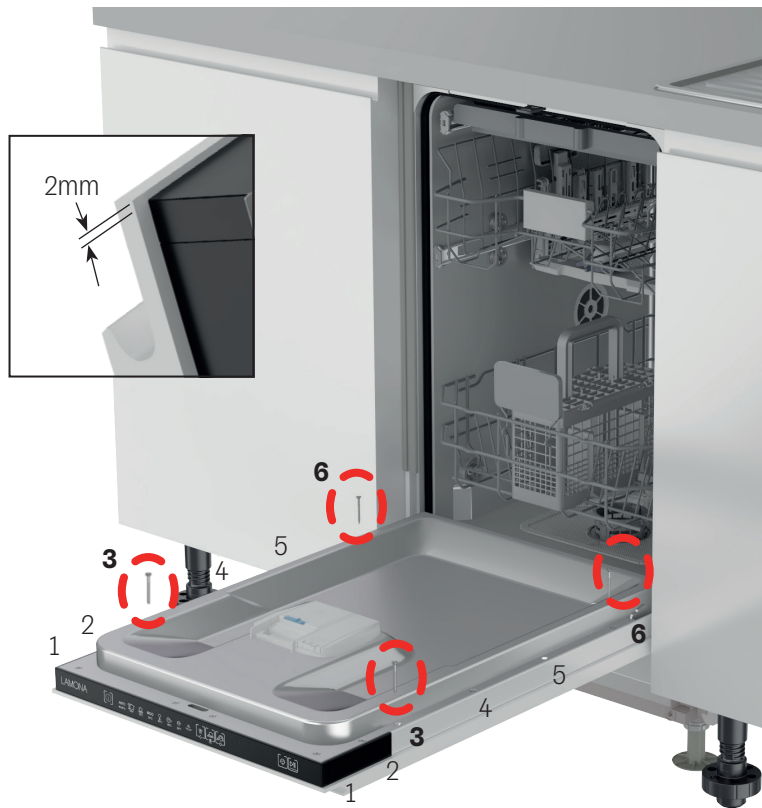
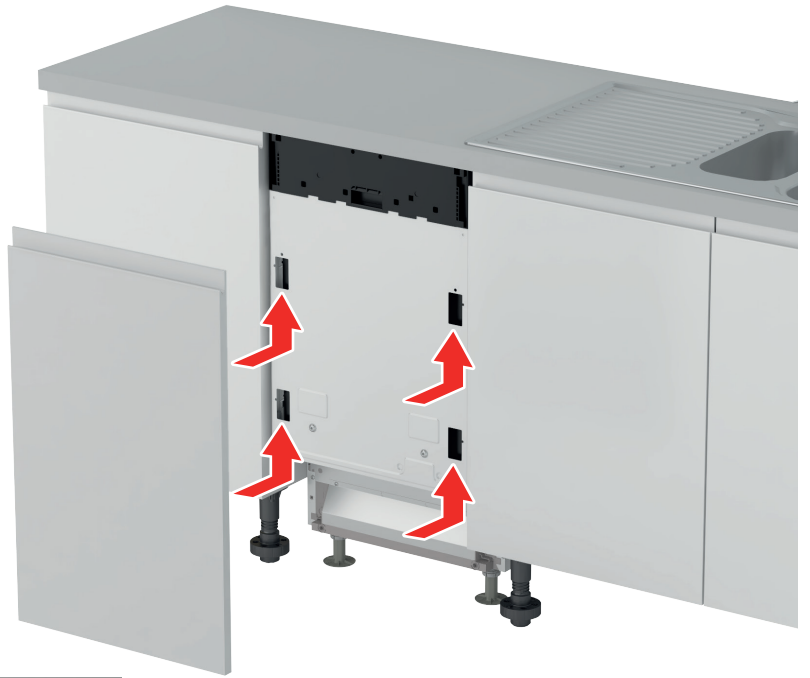
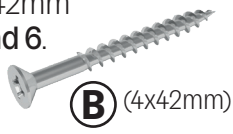
11 - Fit decor door / decor drawer frontals



DO NOT use hole 1, especially when fitting an **integrated handle decor door**.

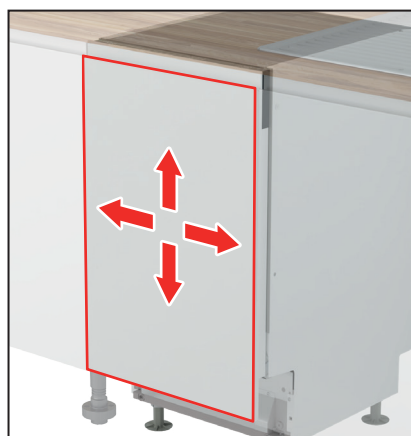
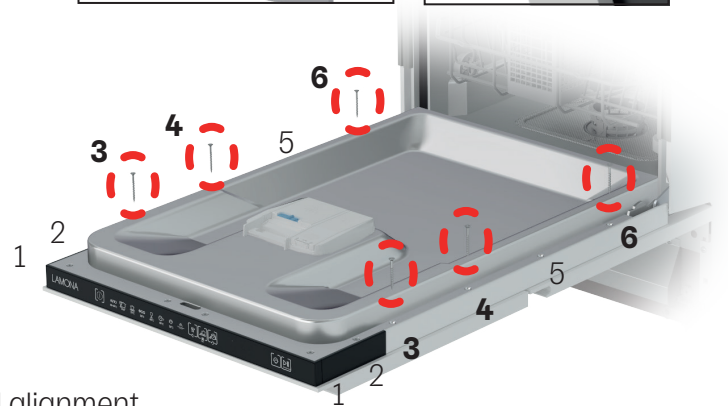
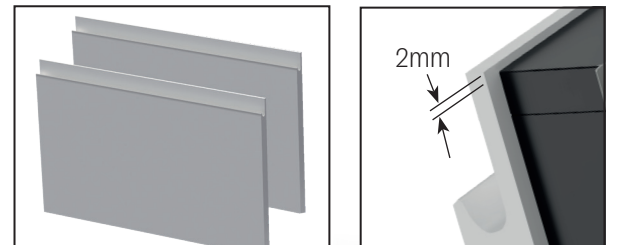
Fixing for standard decor door

Phillips head 42mm numbers 3 and 6.

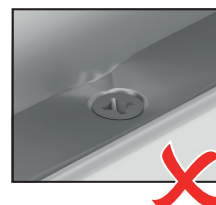
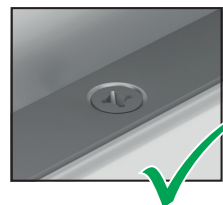
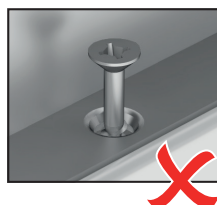


Fixing for decor drawer frontals

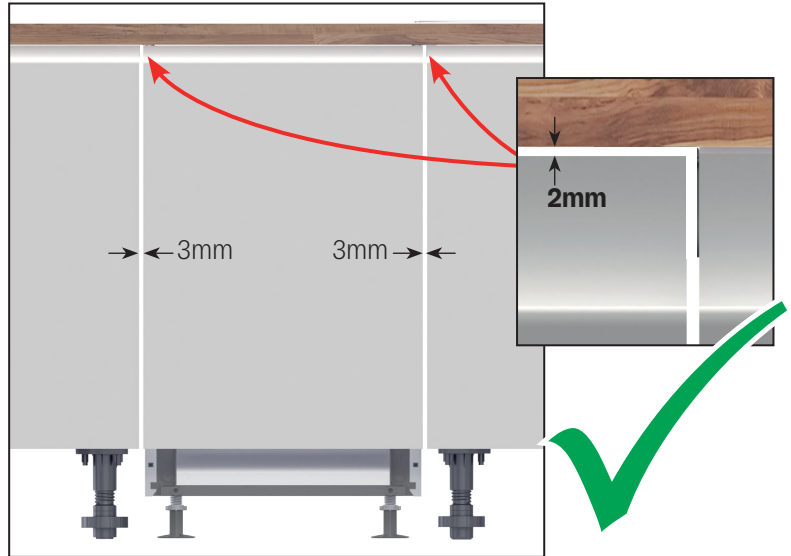
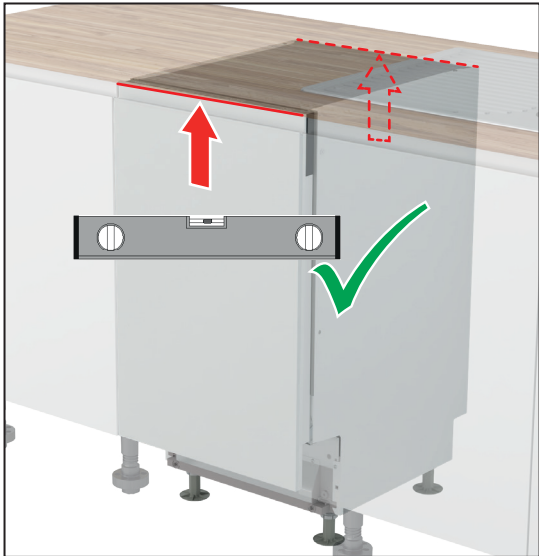
Phillips head 42mm numbers 3, 4 and 6.



If necessary make final alignment and fully tighten the screws. Make sure screws are fastened flush. **DO NOT** over-tighten.



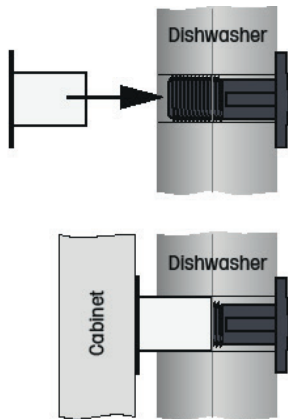
12 - Final adjustment and secure dishwasher



It is critical that the dishwasher is installed level.

Side fixing method for dishwashers

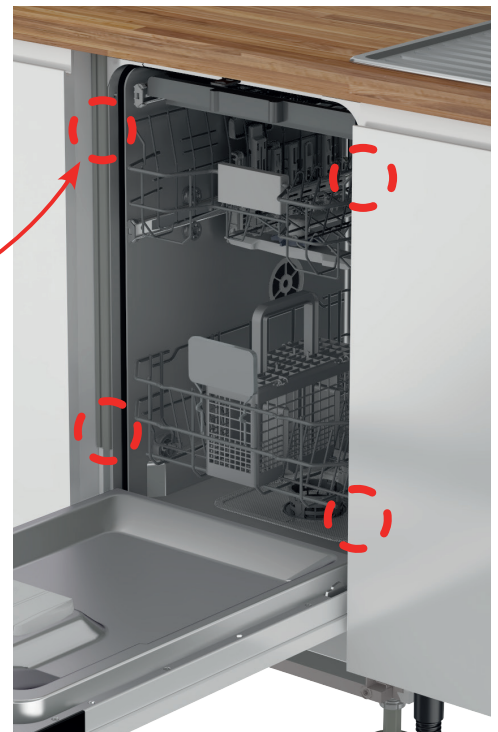
Securing screws x4 positions



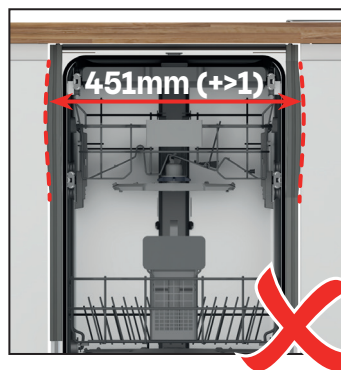
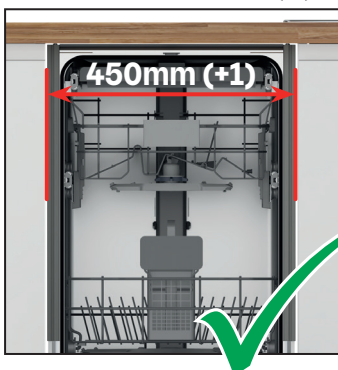
Adjust the spacer to fill the gap between the dishwasher and the cabinet



Do not overtighten



Maximum 450mm (+1)



Do not bow dishwasher sides. Make sure the spacer is bridging any gap between the appliance and the cabinet.

13 - Fit plinth

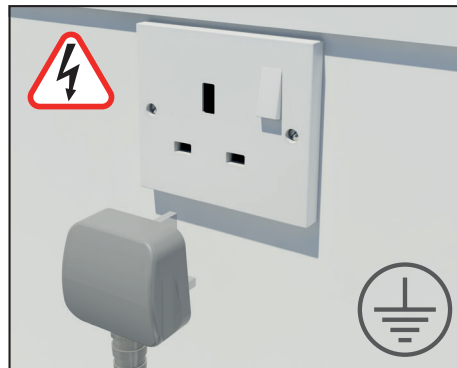
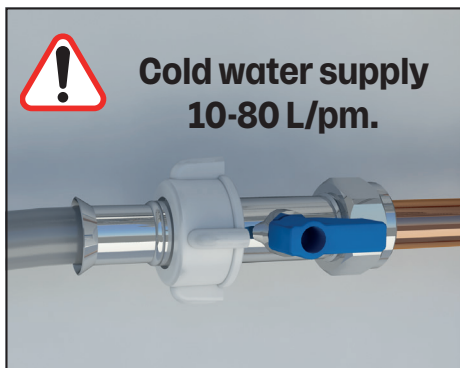
Once decor door / decor drawer frontals are fitted correctly, fit the plinth.

Final checks:

- ! - Decor door opens and closes without clash?
- ! - Dishwasher installed level -
Front → Rear,
Side → Side?
- ! - Hoses not kinked?



14 - Switch on water and electric



If during initial use the machine does not fill / empty.
Check hoses,
see 'Dishwasher connections'.



Run a programme cycle to confirm successful installation and that there are no leaks.



Product serial number
(Place sticker here)

LAMONA

Product information correct at the time of publication in October 2023
The company has a policy of continuous product development and reserves the right to change any products and specifications given in this manual. Subject to the Terms and Conditions of Trading, a copy of the Howdens Terms and Conditions is available upon request.
Copyright © 2023 Howden Joinery Ltd. All rights reserved.