

LAMONA

at the heart of the kitchen

Lamona tall integrated larder fridge Lamona tall integrated frost free freezer

LAM6703

LAM6803



Generic instructions, (To be used in conjunction with User Instructions).

- Please read this Installation Manual to ensure safe fitting and use of the appliance.
- The appliance should be fitted by a suitably competent and qualified person.
- Please keep these instructions in a safe place for future reference.
- Danger of suffocation keep packaging material away from children.

Installation Instructions

ISSUE v1.2 091123

Register 
my appliance

www.howdens.com/appliance-registration

Safety Information



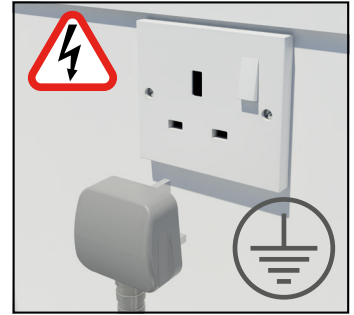
Two person lift.



Appliance must be fixed securely and level.



Do not install a damaged appliance.



WARNING!

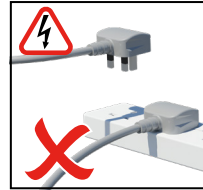
This appliance must be earthed. The electric socket must be accessible after fitting.



NOTE: If the electricity cable is damaged it must be replaced by a competent person.

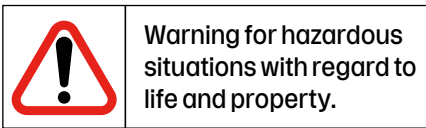


Risk of injury: Beware of metal edges. Use gloves when handling.

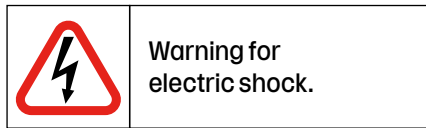


WARNING! **Do not** use extension cables / adapters.

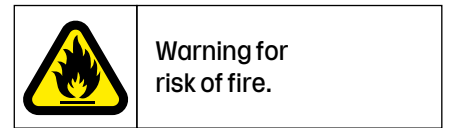
Throughout this manual the following symbols are used.



Warning for hazardous situations with regard to life and property.

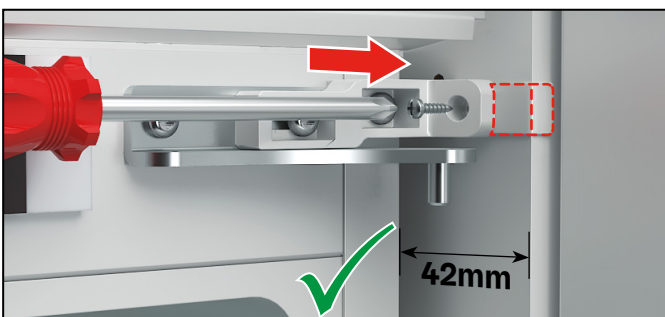
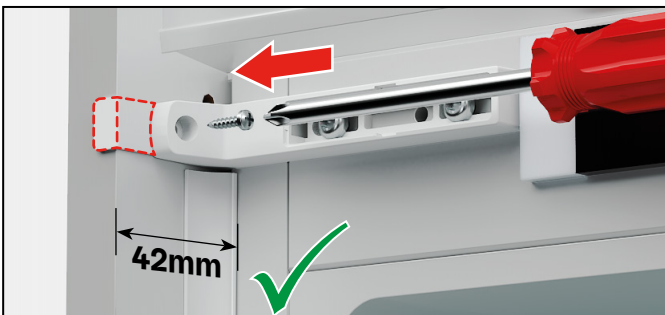


Warning for electric shock.



Warning for risk of fire.

Installation overview guide



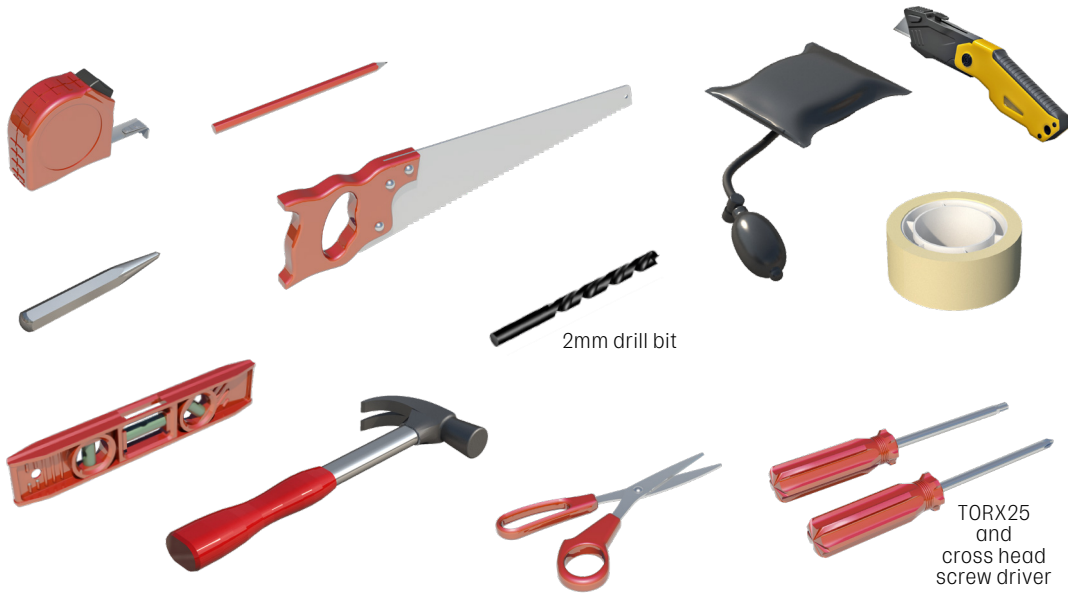
Please use brackets with tabs to ensure appliance install depth is 42mm.
(Use front feet adjustment to assist)

If installed deeper than 42mm (at either side) the appliance door may not close fully causing issues such as:-

THE LIGHT WILL STAY ON
THE ALARM WILL SOUND (*Frost free models)
THE APPLIANCE WILL NOT WORK CORRECTLY
(Not cooling, icing-up, water leaking etc.)

1. Establish power socket location, (must be accessible after installation)
2. Prepare cabinet, (remove back panels, fit upper shelf, fit plinth vent) p.4
3. Fit and adjust decor doors p.4
4. Reverse appliance door if necessary p.11
5. Fit side seal trim to appliance p.5
6. Fit top trim to appliance p.5
7. Protect cabinet edges with masking tape..... p.6
8. Lift appliance into cabinet..... p.6
9. Remove appliance door.
Level and align appliance using front adjustable feet and spacer brackets p.7
10. Fix spacer brackets to appliance and when in correct position screw to cabinet sides p.8-9
11. Make any final feet adjustments to align appliance to brackets and ensure correct spacing depths..... p.8-9
12. Tighten appliance brackets to appliance, (**DO NOT** over tighten).
Refit appliance door..... p.8-9
13. Attach door sliders.
Remove bracket spacer tabs p.10
14. Install cover caps and trims p.10

Tools required



DO NOT use high speed impact power tools.

Installation

Parts supplied - PLEASE RETAIN, DO NOT THROW AWAY!



Remove parts bag from appliance drawer.

BAG 1

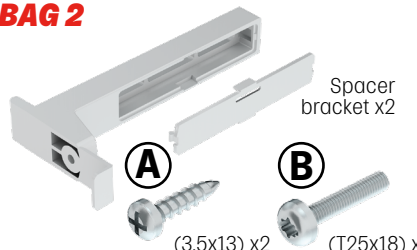
Top trim x1



BAG 2

Spacer bracket x2

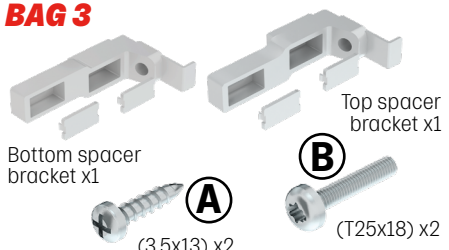
(A) (3.5x13) x2 (B) (T25x18) x4



BAG 3

Bottom spacer bracket x1 (A) (3.5x13) x2

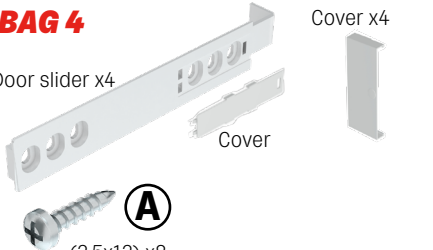
Top spacer bracket x1 (B) (T25x18) x2



BAG 4

Door slider x4 (A) (3.5x13) x8

Cover x4



BAG 5

LH Hinge cover x1

RH Hinge cover x1



BAG 6

Screw hole cover x2

Screw hole plug x4 (C) (3.9x13 FH) x2




Cabinet pre-build and airflow



THE CABINET WILL NEED MODIFYING BEFORE INSTALLING YOUR APPLIANCE.

1. Remove rear panels.
2. Attach feet.
3. Fit and align doors.
4. Fit upper shelf.

Ensure the cabinet is secure, level and true.

200cm² min

1789mm

70:30

555mm min

560mm min

200cm² min

(not supplied)

FRONT

20mm

70:30/50:50 decor door. Modify existing shelf as shown. Fit top shelf and rear up stand to the pre-drilled holes indicated.

If reversing the door, move retainers.

540mm

545mm

1783mm

If reversing door: see page 11.

50:50 decor door option

84.5mm

764mm

New door drilling required.

84.5mm

764mm

(not supplied)

IMPORTANT:
Good airflow around the appliance is essential for optimum performance and energy saving. Ventilation channels must be provided.

AIRFLOW

Plinth vent must be fitted under the cabinet.

Fit side seal trim

1 - Cut side seal to length, **1710mm**.



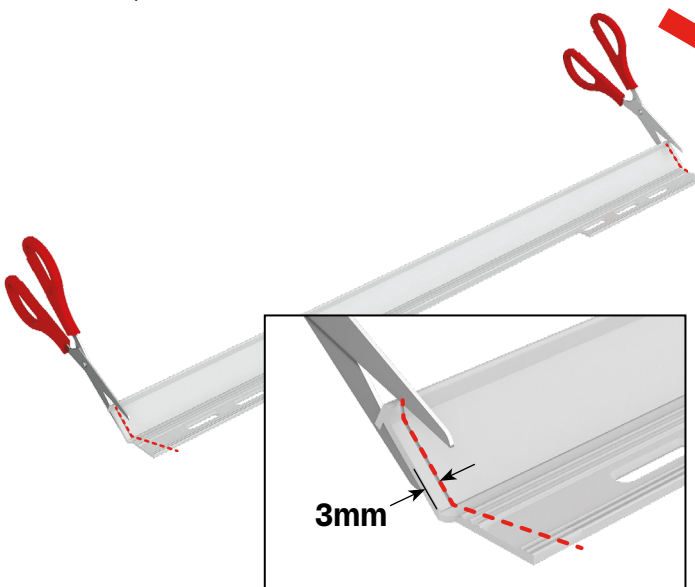
Side sealing strip x1

2 - Apply seal **30mm** from top edge of the appliance, removing backing tape as you progress.

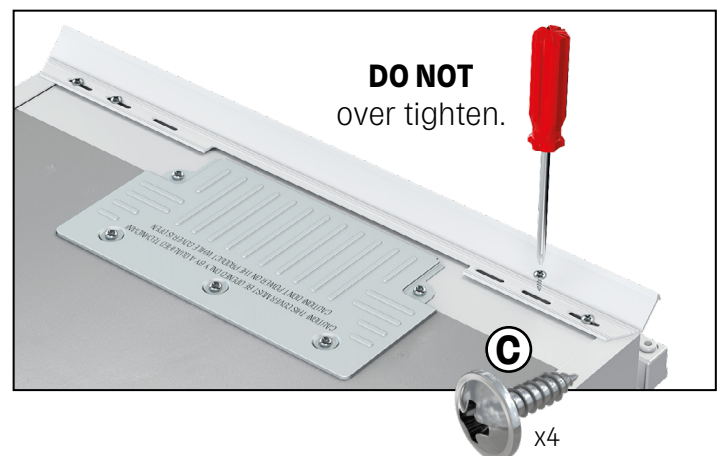


Fit top trim, **(BAG 1)**

1 - Cut indicated **3mm** off each end of the top trim and chamfer inwards.



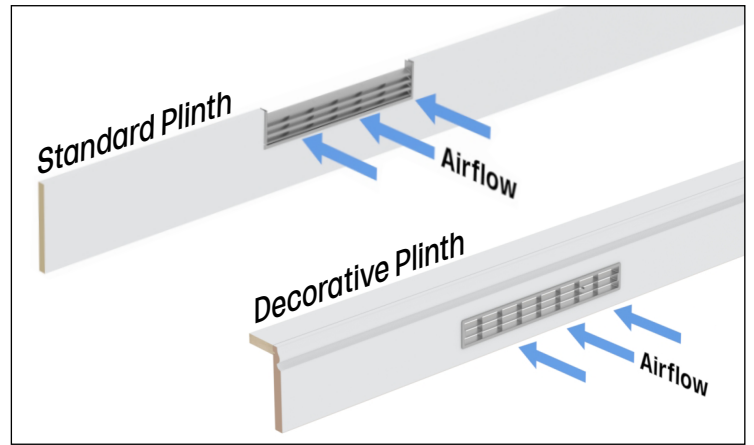
2 - Align the top trim to the non hinge side of the appliance and fix.



Inserting into cabinet



1 - Protect areas * with masking tape.



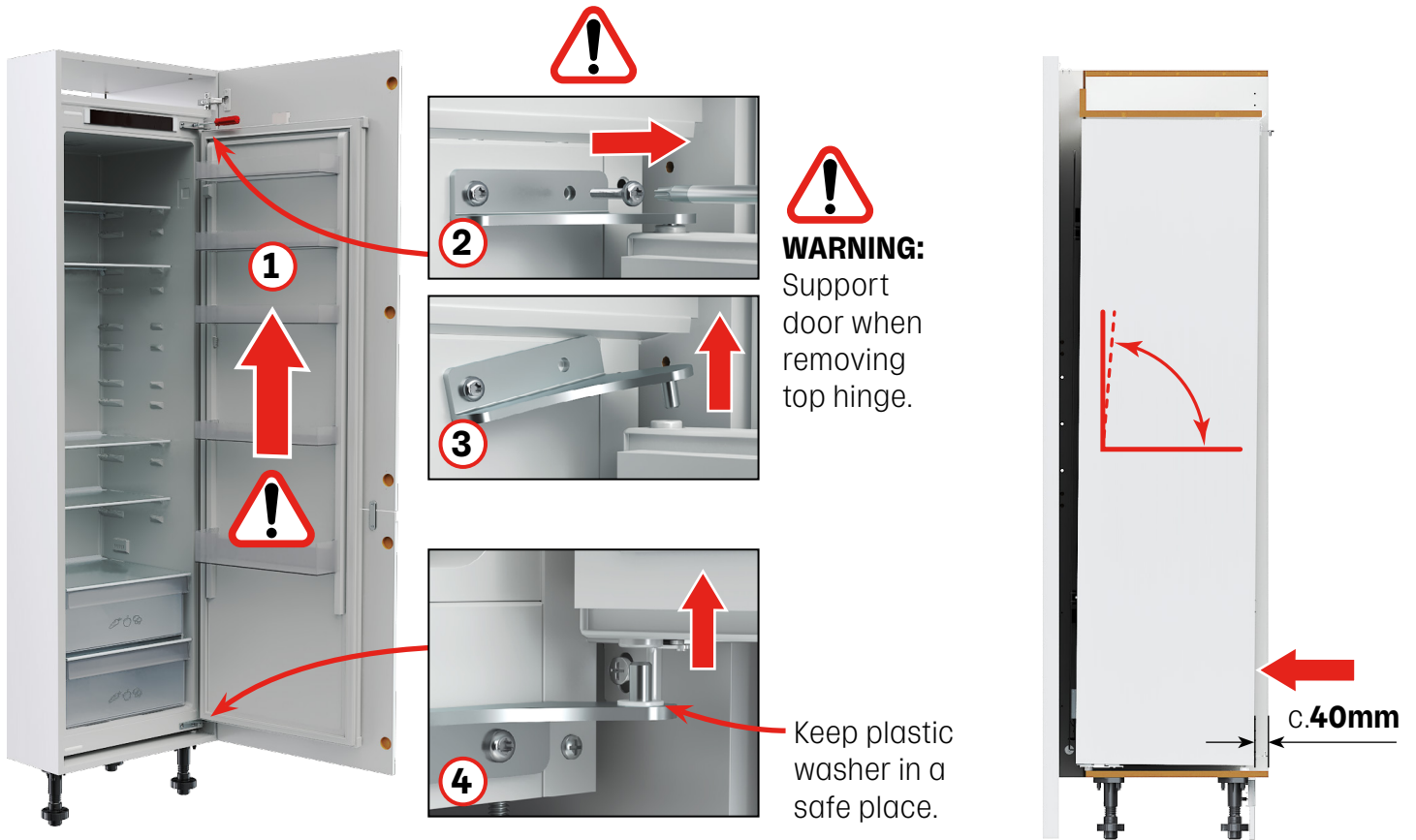
- 2 - Carefully lift the appliance.
- 3 - Place rear feet onto cabinet base.
- 4 - Level and gently slide into position.



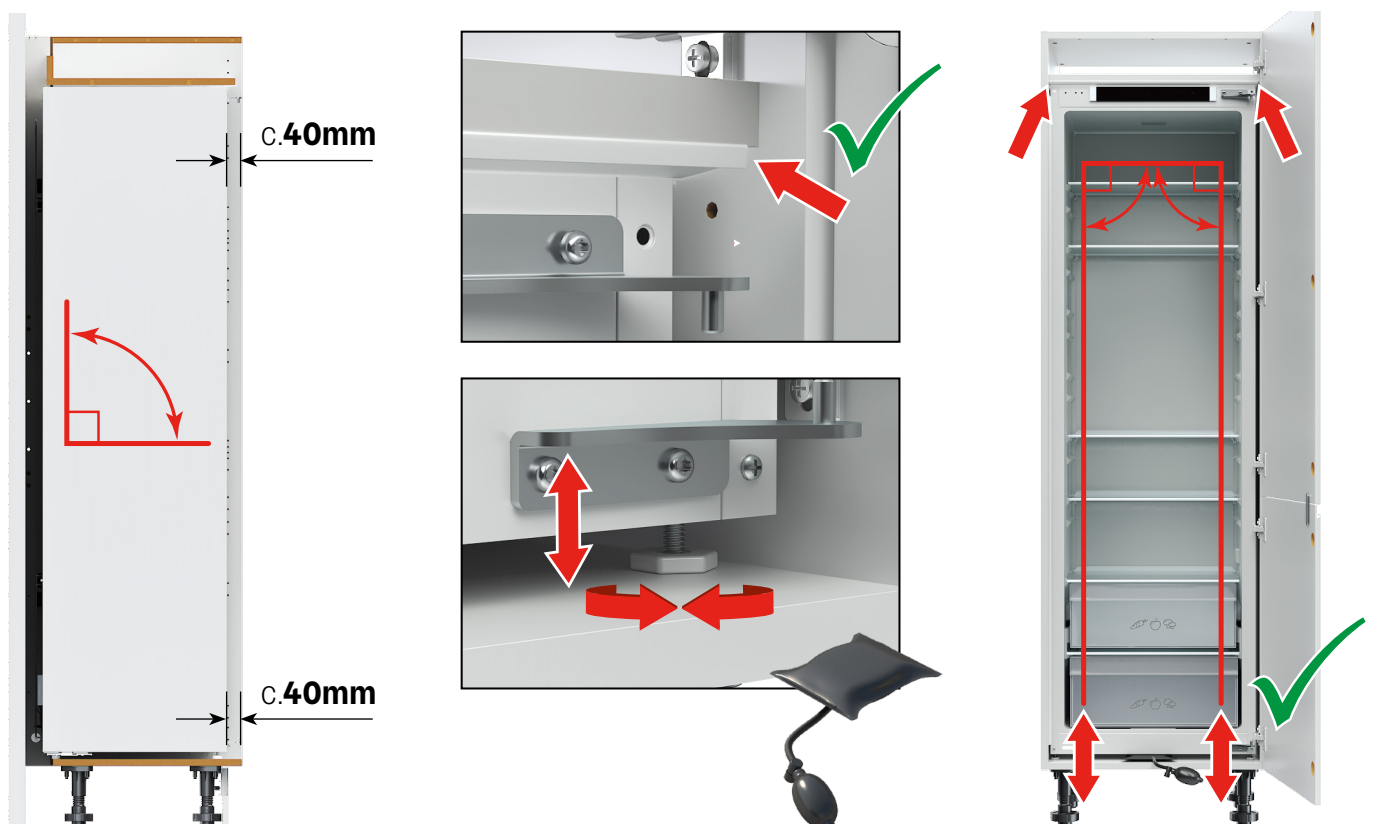
Remove appliance door and level

1 - Support door **1**, remove inner screw **2**, rotate hinge upward **3**, remove door **4**, (Careful not to damage door and fittings).

2 - Position the appliance c.40mm back from cabinet front edge.

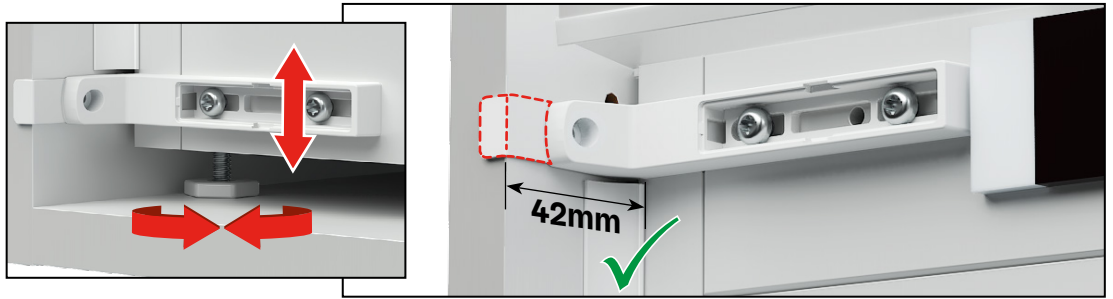


3 - Turn adjustable feet so that the appliance stands vertically true in the cabinet and the top trim aligns with the upper fascia infill.



Securing the appliance (Vertically true and level in cabinet.)

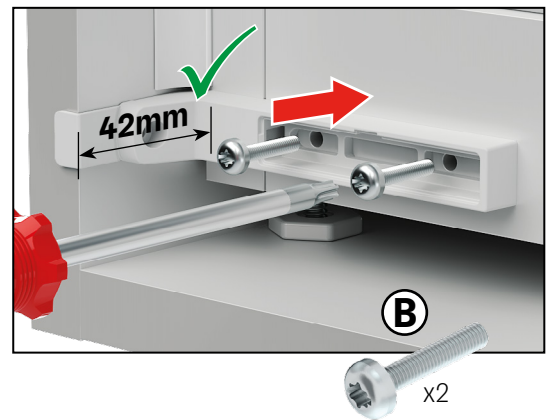
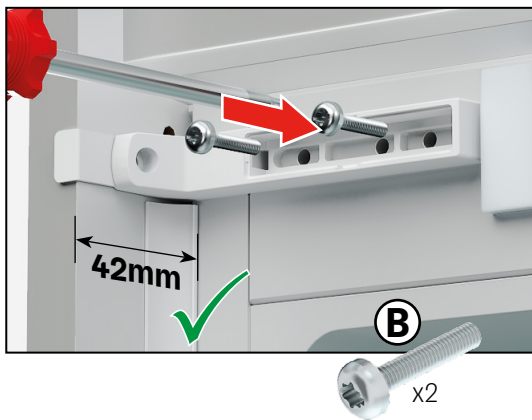
1 - Spacer brackets will set the appliance to the correct depth **42mm**.
Adjust feet and appliance to achieve correct alignment.



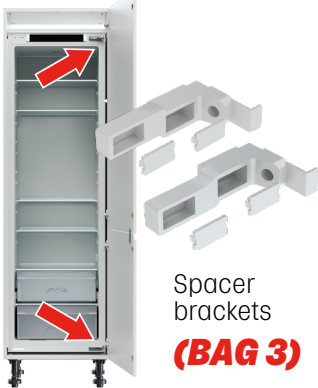
Non hinge side
(top and bottom),



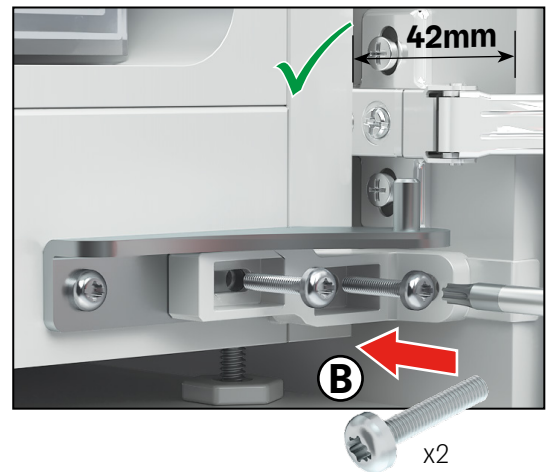
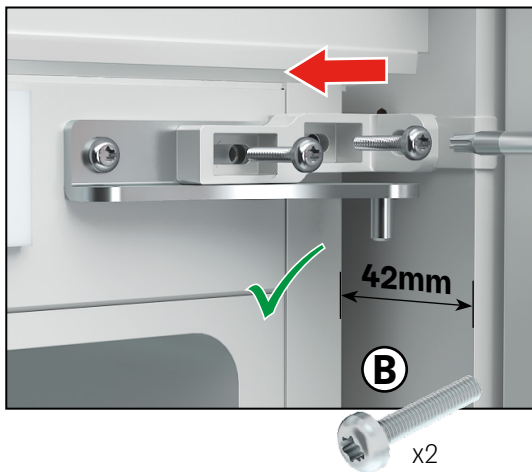
2 - Non hinge side spacer brackets, (top and bottom). **DO NOT** fully tighten.



Hinge side
(top and bottom),



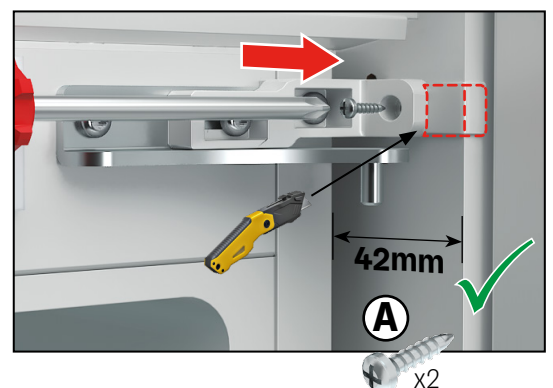
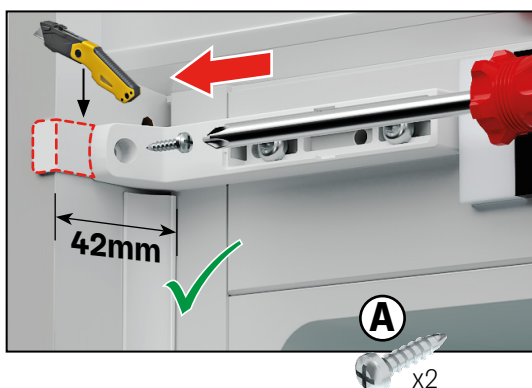
3 - Hinge side spacer brackets, (top and bottom). **DO NOT** fully tighten.



All spacer
positions correct.

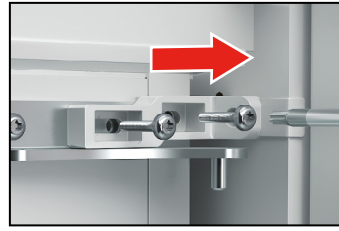
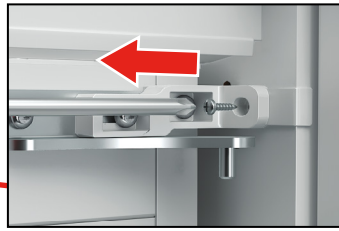


4 - Once spacing is correct at all four corners, fully secure brackets to cabinet sides. Carefully snap off the distance spacing tabs, (use knife to trim or pre-score).

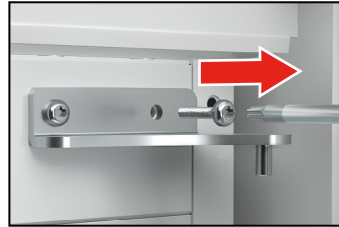


Refit appliance door (Take care not to damage the appliance.)

1 - Remove top hinge side spacer bracket. Keep in a safe place.



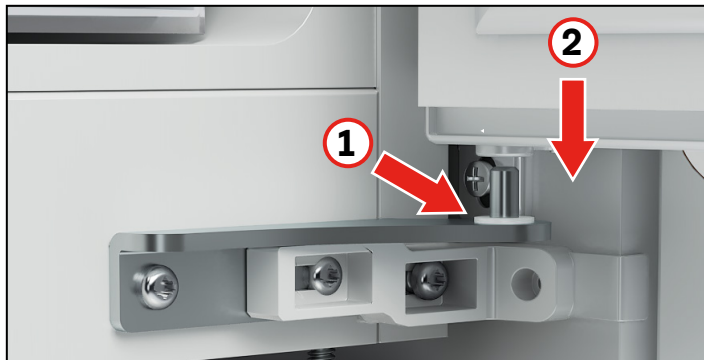
2 - Remove inner screw from the top hinge.



3 - Rotate hinge upwards.



4 - Replace the plastic washer **1**, appliance door **2**. Refit the top hinge and spacer bracket **3**.

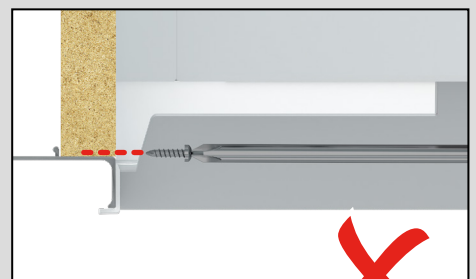
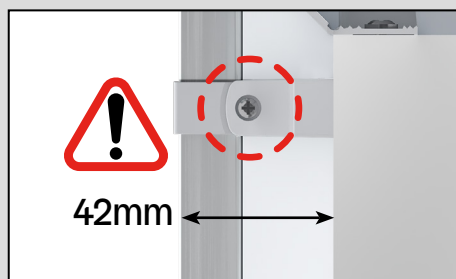


WARNING:
Support door when fitting top hinge.

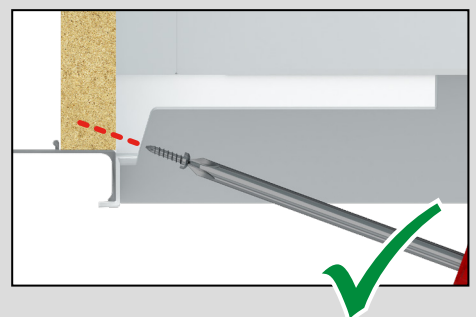
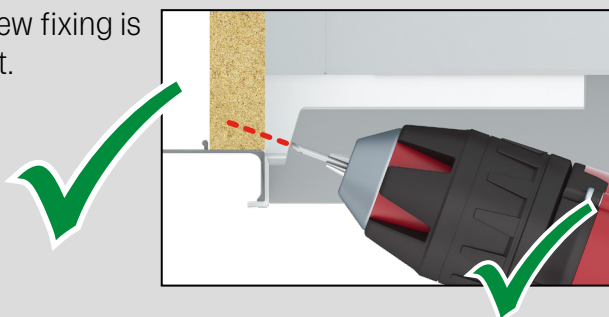


Profile Kitchen - Bracket modification

1 - Position appliance 42mm from front edge of cabinet.



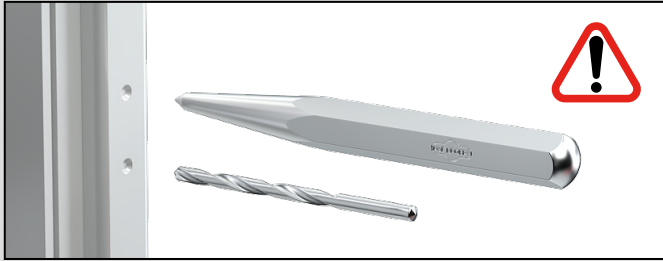
2 - Drill bracket so screw fixing is angled into cabinet.



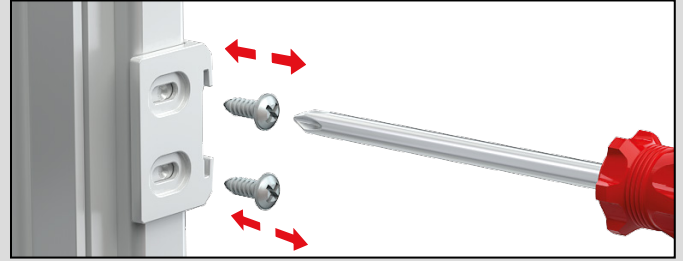
Door slider fitting, **(BAG 4)**

Door reversal and slider fixing: When reversing the doors go to page 11.

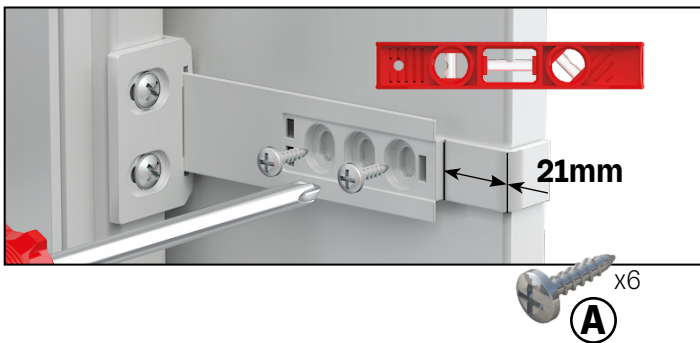
A - Punch or pilot drill the pre-marked holes on the fridge freezer door.



B - Remove and fix the slider retainers to opposite side of the doors.



1 - Locate slider and align with decor door edge, (the tab on the slider gives the correct distance of **21mm**). **2** - Mark, pilot and fix slider to decor door.



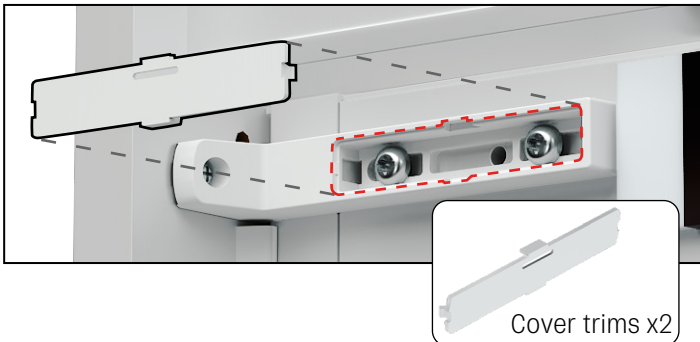
3 - Carefully snap off distance spacing tabs. Add cover trims, (use knife to trim or pre-score).



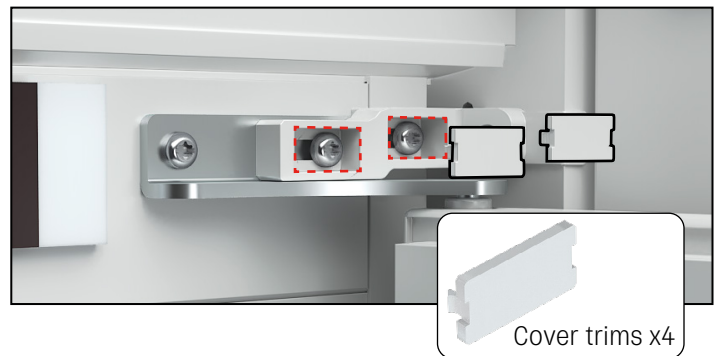
Note: If refrigerator door doesn't close fully a spacer will need to be placed behind the decor door slider to ensure correct closure.

Bracket trims

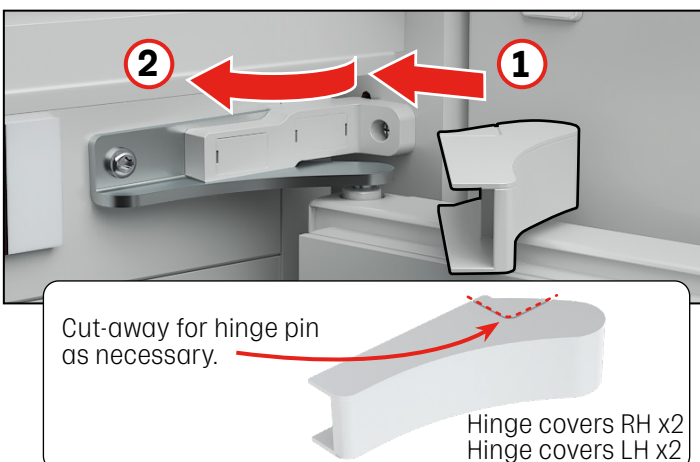
1 - Insert cover trims over screw holes, **(BAG 2)**. Clip centre in first then the ends.



2 - Insert cover trims over screw holes, **(BAG 3)**.

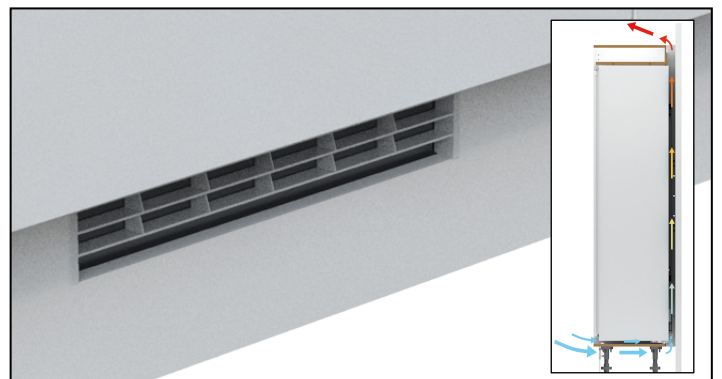


3 - Present hinge covers at 45°, then rotate to fit over the appliance door hinges, **(BAG 5)**.



Plinth vent

Fit a plinth vent for good airflow, see **Kitchen Installation Manual** for fitting instructions.

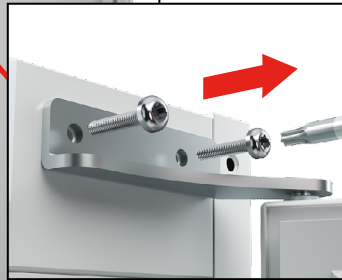


1 - Remove plastic cover caps and plug. (DO NOT remove magnet from top of door).



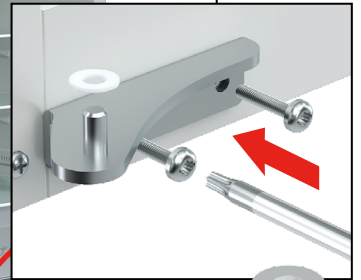
Keep in safe place for future use.

2 - Remove hinge **1**, door **2** and hinge **3**.



WARNING: Support door when removing hinge **1**.

3 - Fit hinge **1** in new position **4** and place washer.



Plastic washer x1

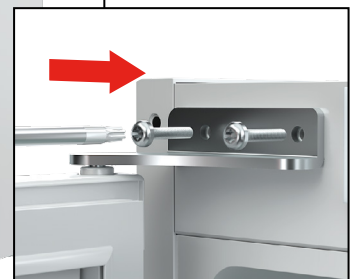
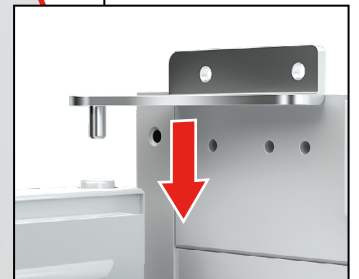
4 - Fit door **2**.



5 - Fit hinge **3** in new position **5**.



WARNING: Support door when fitting top hinge.





Product serial number
(Place sticker here)

LAMONA



Product information correct at the time of publication in November 2023.
The company has a policy of continuous product development and reserves the right to change any products and specifications given in this manual.
Subject to the Terms and Conditions of Trading, a copy of the Howdens Terms and Conditions is available upon request.
Copyright © 2023 Howden Joinery Ltd. All rights reserved.

Howden Joinery Ltd.
Thorpe Road, Howden, East Yorkshire. DN14 7PA England
Howdens Cuisines SAS. Z.A. du Bois Rigault Nord,
1 Rue Calmette, 62880 Vendin-le-Vieil, Cedex, France