

# LAMONA

at the heart of the kitchen

## 50:50 Integrated Fridge Freezer

LAM6202 / LAM6252



**Generic instructions, (To be used in conjunction with User Instructions).**

- Please read this Installation Manual to ensure safe fitting and use of the appliance.
- The appliance should be fitted by a suitably competent and qualified person.
- Please keep these instructions in a safe place for future reference.
- Danger of suffocation keep packaging material away from children.

## Installation Instructions

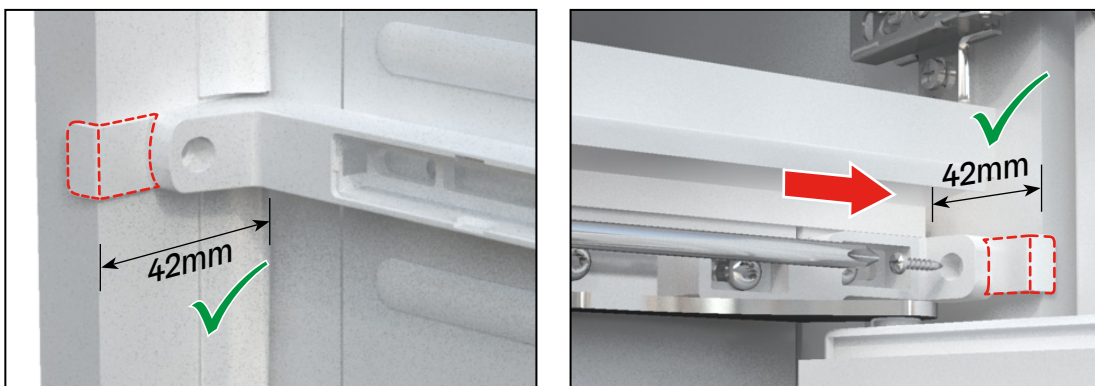
ISSUE v1.2 091123

Register   
my appliance

[www.howdens.com/appliance-registration](http://www.howdens.com/appliance-registration)

# Installation overview guide

1. Establish power socket location, (must be accessible after installation)
2. Prepare cabinet, (remove back panels, fit upper fascia infill, fit plinth vent) . . . . . p.5
3. Fit and adjust décor doors . . . . . p.5
4. Reverse fridge freezer doors if necessary . . . . . p.14-15
5. Fit tall feet to fridge freezer. . . . . p.6
6. Fit top trim to fridge freezer . . . . . p.7
7. Fit side seal trim to fridge freezer. . . . . p.8
8. Protect cabinet edges with masking tape . . . . . p.9
9. Lift fridge freezer into cabinet . . . . . p.9
10. Level and align fridge freezer using front adjustable feet and spacer brackets . . . . . p.9
11. Fix spacer brackets to fridge freezer and when in correct position screw to cabinet sides, (mid brackets then upper brackets). . . . . p.10-11
12. Make any final feet adjustments to align fridge freezer to brackets and ensure correct spacing depths . . . . . p.12-13
13. Tighten brackets to fridge freezer, (**DO NOT** overtighten) . . . . . p.12-13
14. Attach door sliders . . . . . p.12
15. Remove bracket spacer tabs, install screw cover caps, fix grille . . . p.12-13



Please use brackets with tabs to ensure fridge freezer install depth is 42mm. (Use front feet adjustment to assist)

If installed deeper than 42mm (at either side) the fridge freezer doors may not close fully causing issues such as:-

- THE LIGHT WILL STAY ON**
- THE ALARM WILL SOUND** (\*Frost free models)
- THE FRIDGE FREEZER WILL NOT WORK CORRECTLY**  
(Not cooling, icing-up, water leaking etc.)

# Safety Information



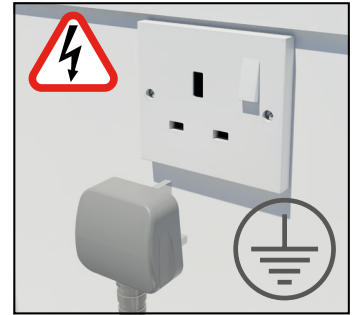
Two person lift.



Fridge freezer must be fixed securely and level.



**Do not** install a damaged appliance.



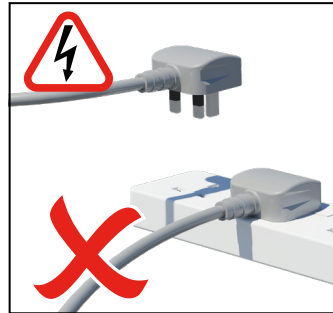
**WARNING!**  
This appliance must be earthed. The electric socket must be accessible after fitting.



**NOTE:** If the electricity cable is damaged it must be replaced by a competent person.



Risk of injury: Beware of metal edges. Use gloves when handling.



**WARNING!**  
**Do not** use extension cables / adapters.

Throughout this manual the following symbols are used.

	<p>Warning for electric shock.</p>		<p>Warning for injury or property damage risk.</p>
--	------------------------------------	--	--

# Installation

Tools required



**DO NOT** use high speed impact power tools.

# Installation

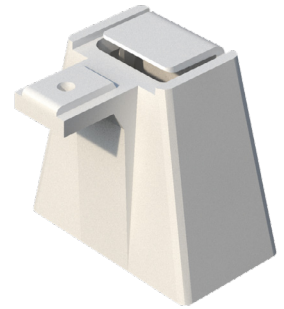
Parts supplied - PLEASE RETAIN, DO NOT THROW AWAY!



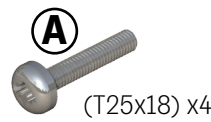
## BAG A



Front foot assembly x2

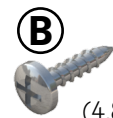


Rear foot x2



**A**

(T25x18) x4



**B**

(4.8x16) x2

## BAG 1

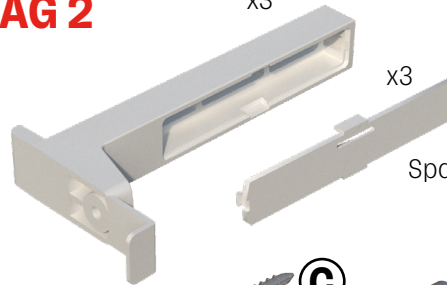
Top trim x1



Top trim adhesive strip x1  
(not digital control models)

## BAG 2

x3



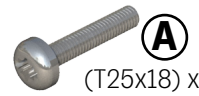
x3

Spacer bracket x3



**C**

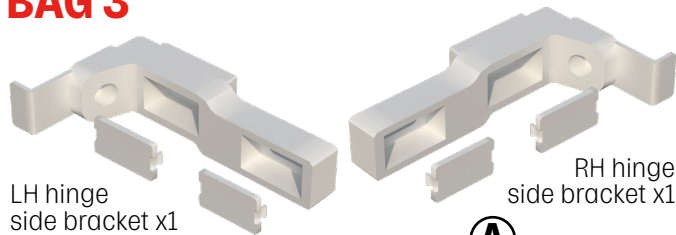
(3.5x13) x3



**A**

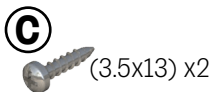
(T25x18) x6

## BAG 3



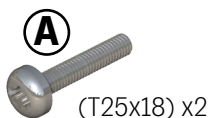
LH hinge side bracket x1

RH hinge side bracket x1



**C**

(3.5x13) x2



**A**

(T25x18) x2

## BAG 4

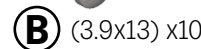
Door slider x5



2 x5



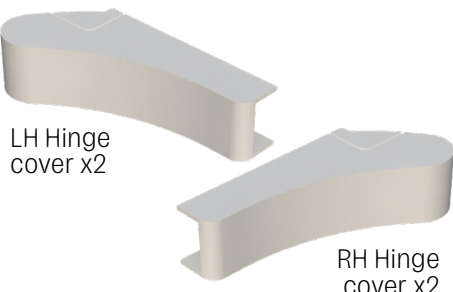
Covers x5



**B**

(3.9x13) x10

## BAG 5



LH Hinge cover x2

RH Hinge cover x2

## BAG 6



**D**

(3.9x13 FH) x2



Screw hole plug x4



Screw hole cover x2



Plastic washer x2



Side sealing strip x1

# Cabinet pre-build and airflow



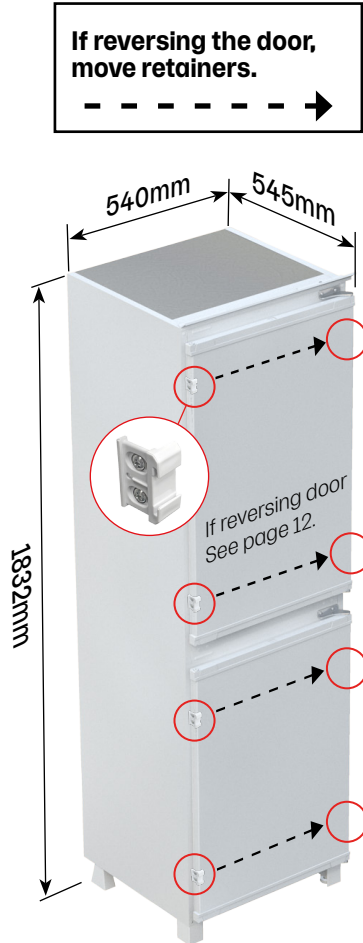
THE CABINET WILL NEED MODIFYING BEFORE INSTALLING YOUR FRIDGE FREEZER.

1. Remove rear panels.
2. Attach feet.
3. Fit and align doors.
4. Fit upper fascia infill.

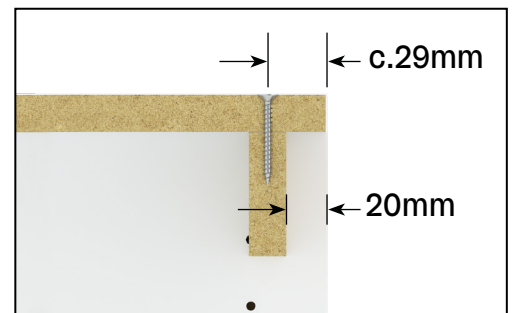
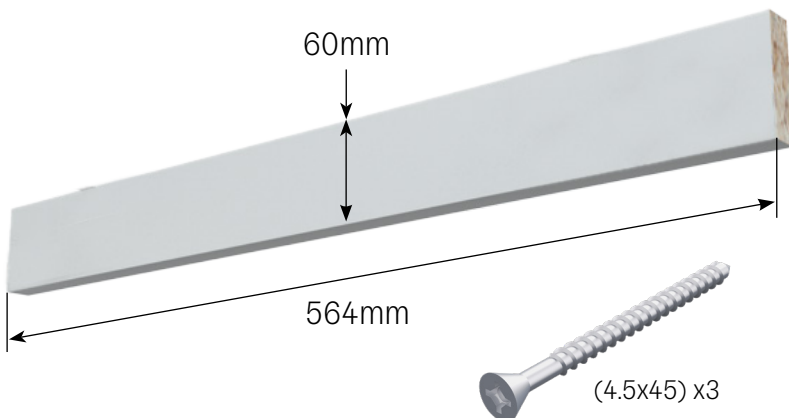
**IMPORTANT:** Good airflow around the fridge freezer is essential for optimum performance and energy saving. Ventilation channels must be provided.



Ensure the cabinet is secure, level and true.



Plinth vent must be fitted under the cabinet.



Using 60mm x 564mm fascia rail fit **20mm** from front edge of the cabinet.  
Measure **c.29mm** from front edge. Drill holes and screw down from top of cabinet.

# Tall feet, (BAG A)



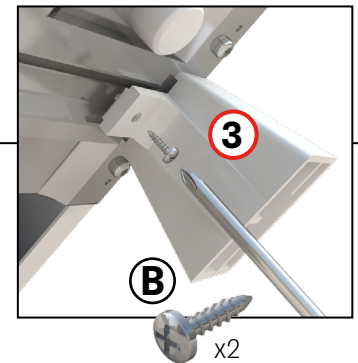
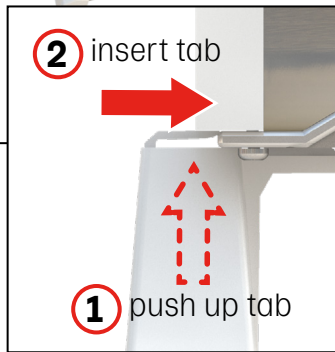
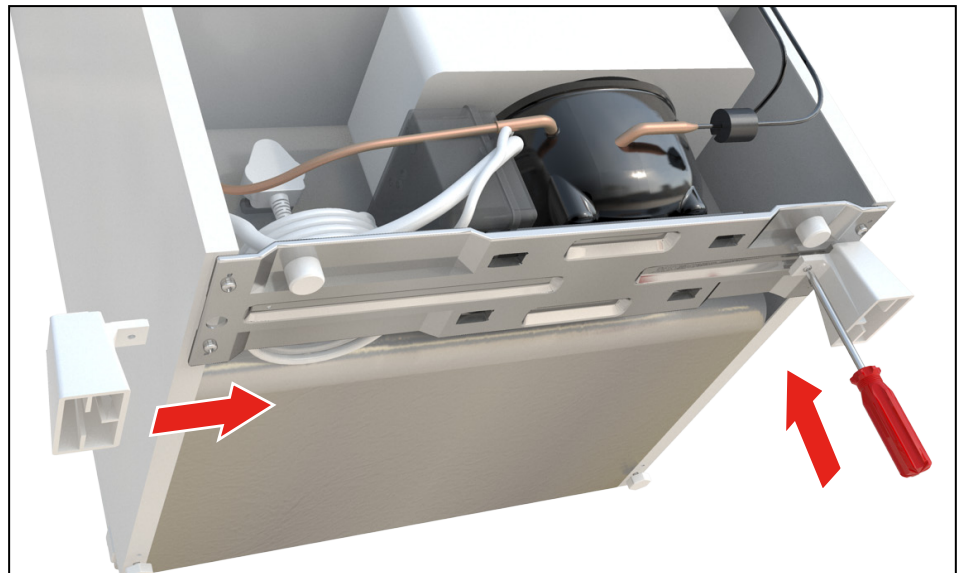
(Tall feet need adding so décor doors align correctly.)

1 - Do not remove the shelf packing from within the fridge freezer. Secure the doors by using masking tape. Carefully lean the fridge freezer forwards and support.

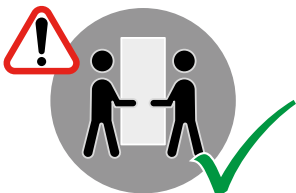
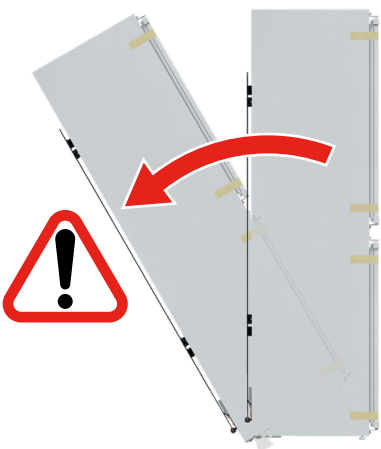


Two persons.

2 - Fit rear feet.

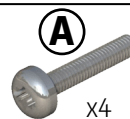
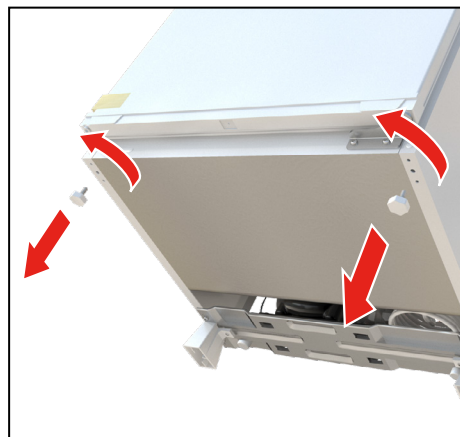


3 - Carefully bring the fridge freezer to the upright and then lean backwards and support.

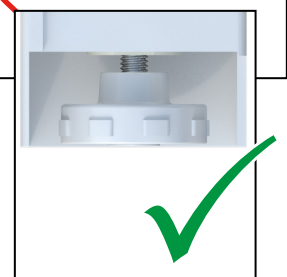
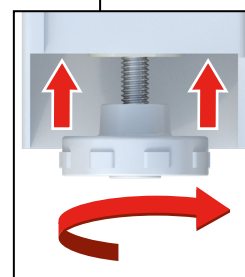
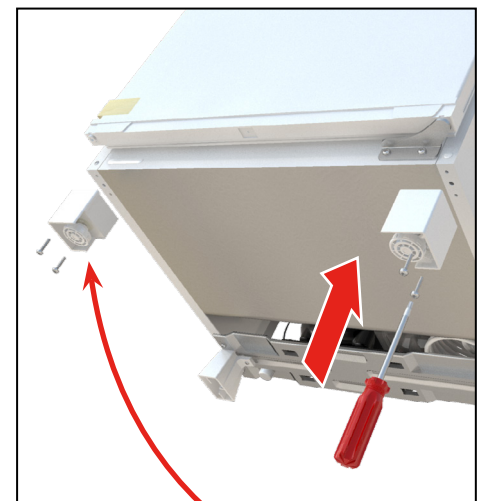


Two persons.

4 - Remove existing front feet.

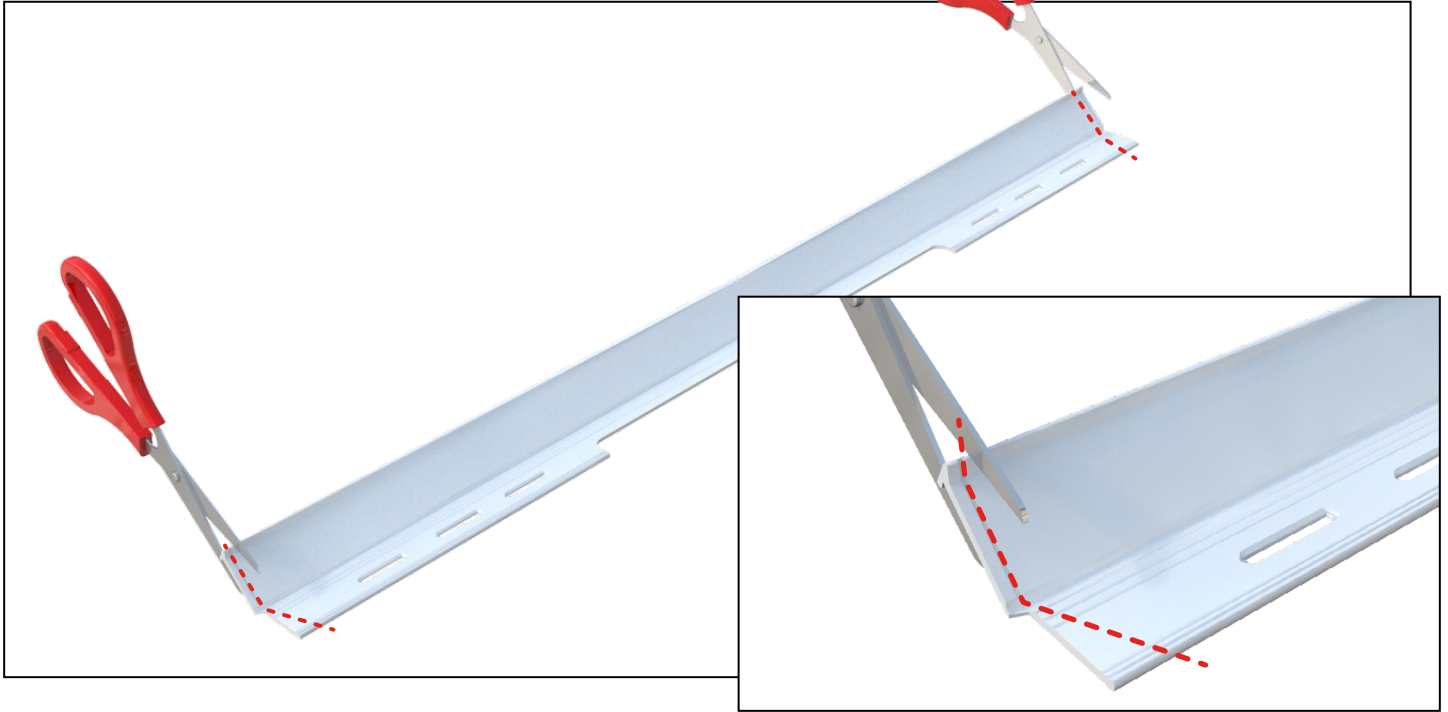


5 - Fit adjustable feet. Adjust so that foot is level with the foot body.

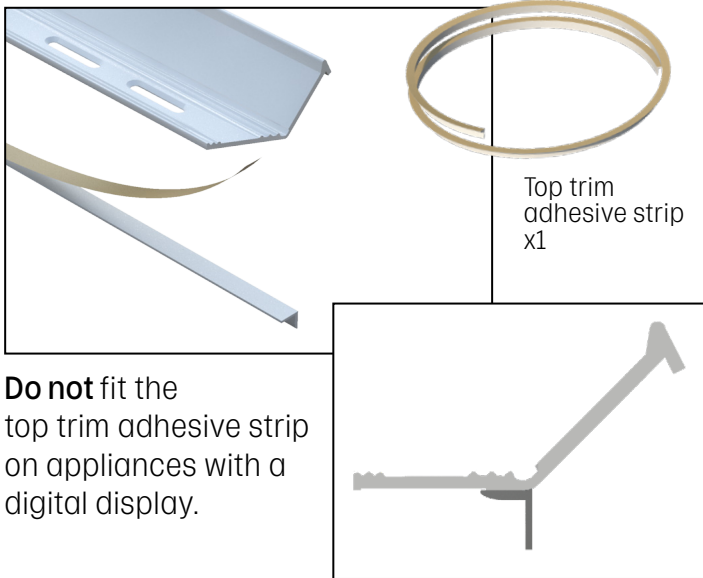


## Fit top trim, (BAG 1) (BAG 6 - Screws)

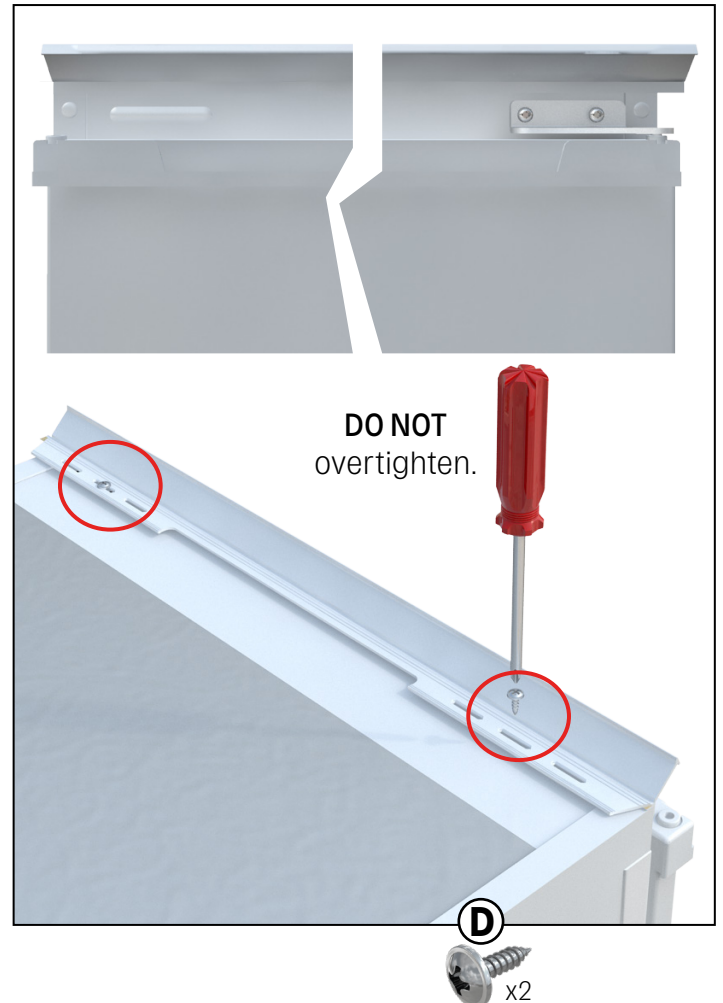
1 - Cut indicated **3mm** off each end of the top trim and chamfer inwards.



2 - Apply the self adhesive strip to the underside of the top trim and cut to length.

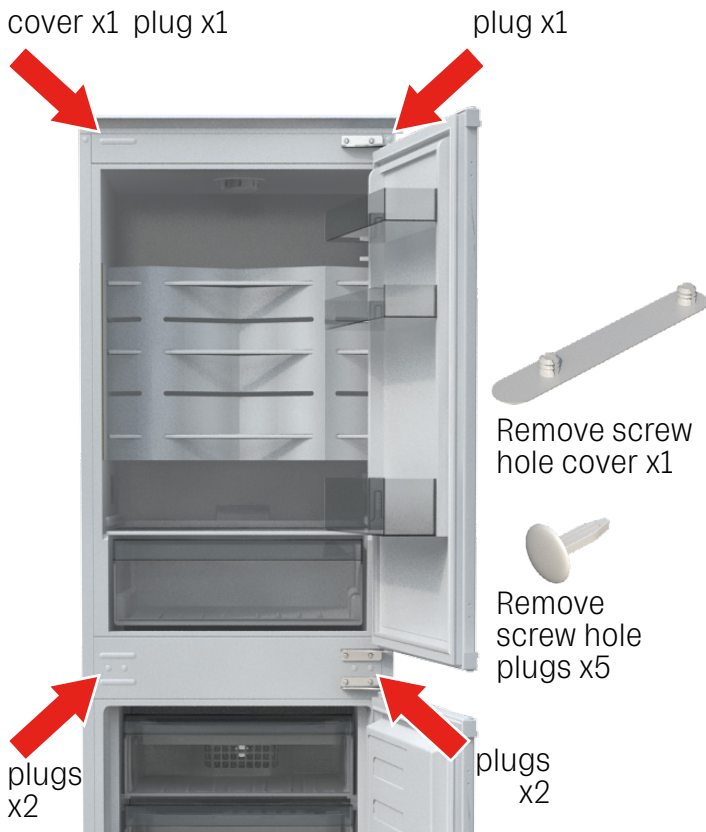


3 - Align the top trim to the non hinge side of the fridge freezer and fix.

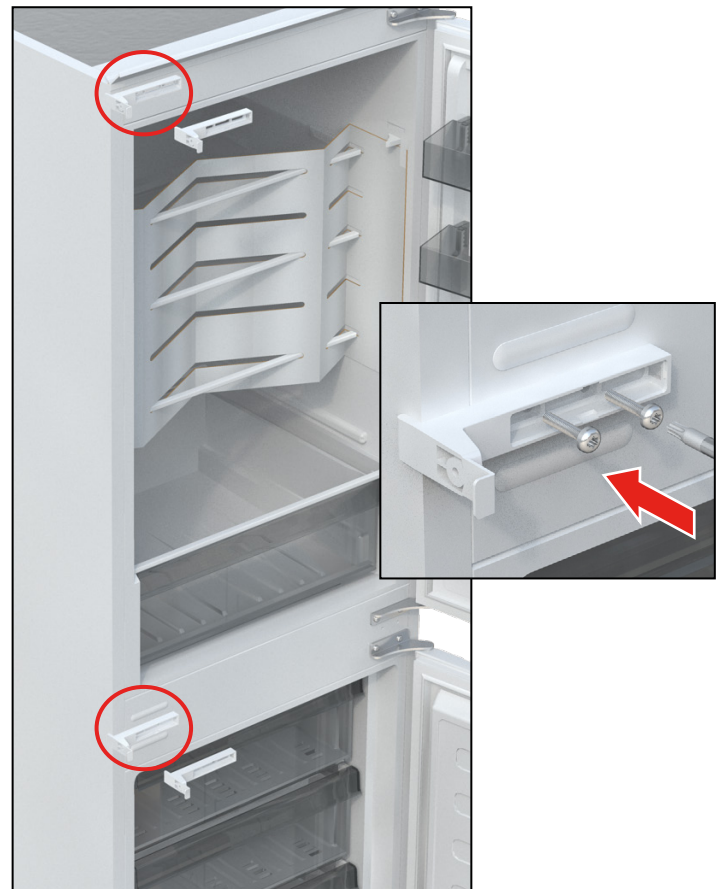


## Fit side seal trim

1 - Remove the following screw hole covers and plugs and keep in safe place for future use.



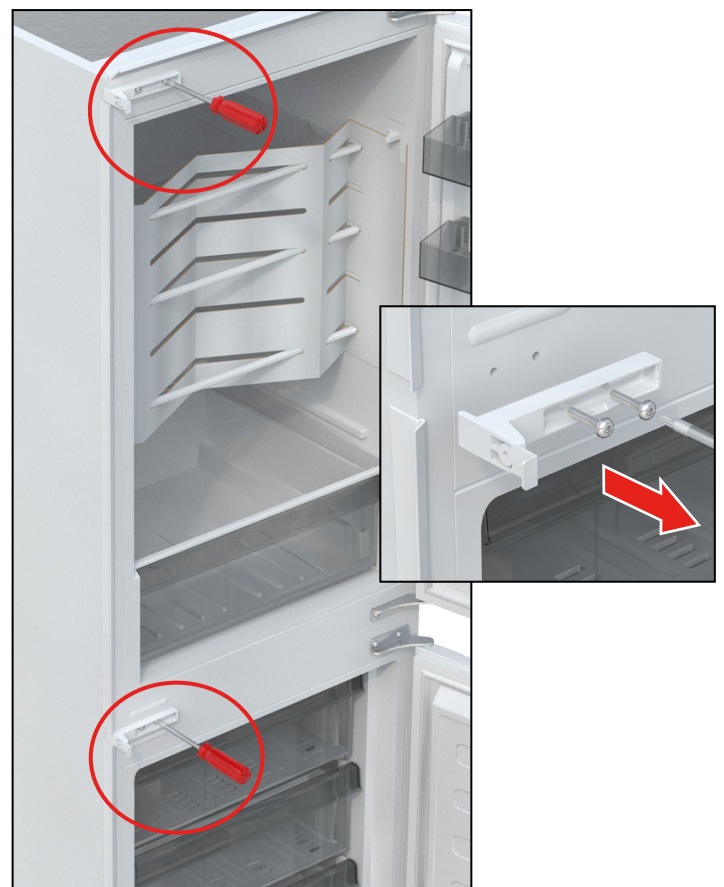
2 - Loosely attach two spacer brackets.



3 - Do not remove tape backing.  
Trim side seal to fit between brackets.



4 - Remove the spacer brackets





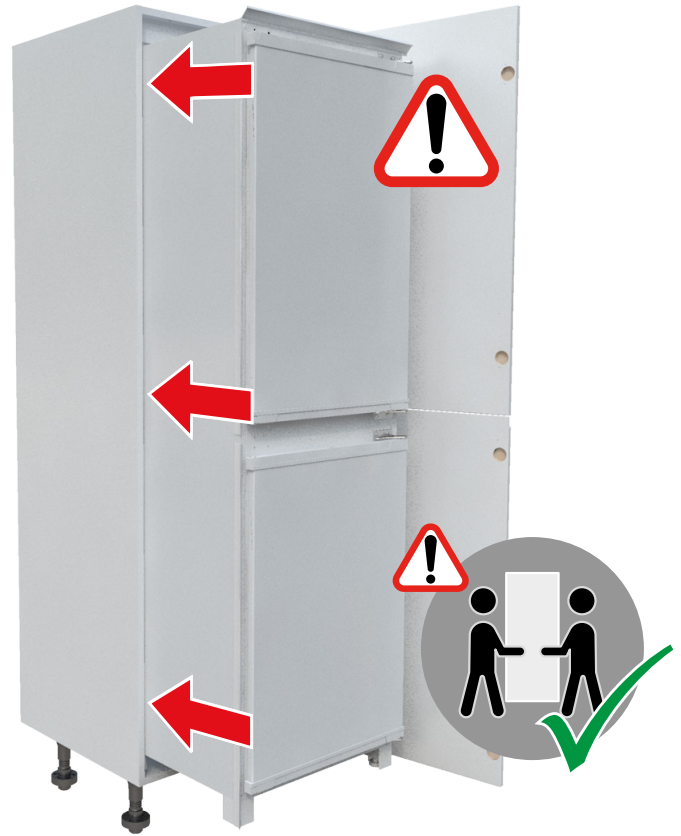
# Inserting into cabinet



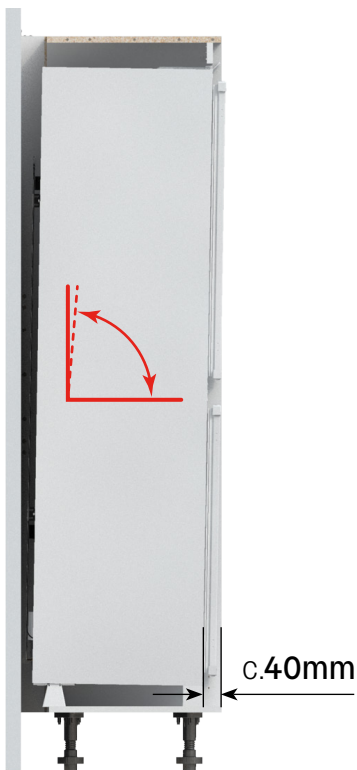
1 - Protect areas\* with masking tape.



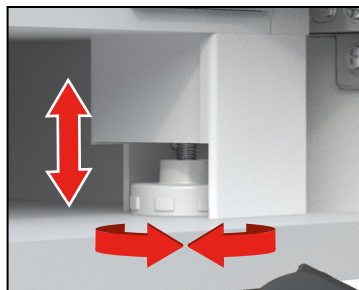
2 - Carefully lift the fridge freezer into the cabinet; rear feet onto base, level and gently slide into position.



3 - Upon installation the fridge freezer should be leaning slightly forward, this is quite normal. Place the fridge freezer c.40mm back from front edge.

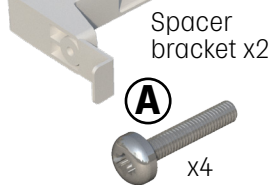


4 - Open doors, turn adjustable feet so that the fridge freezer stands vertically true in the cabinet and the top trim aligns with the upper fascia infill.

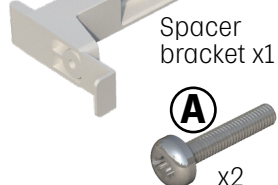


Securing the fridge freezer  (Vertically true and level.), **(BAG 2 & BAG 3)**

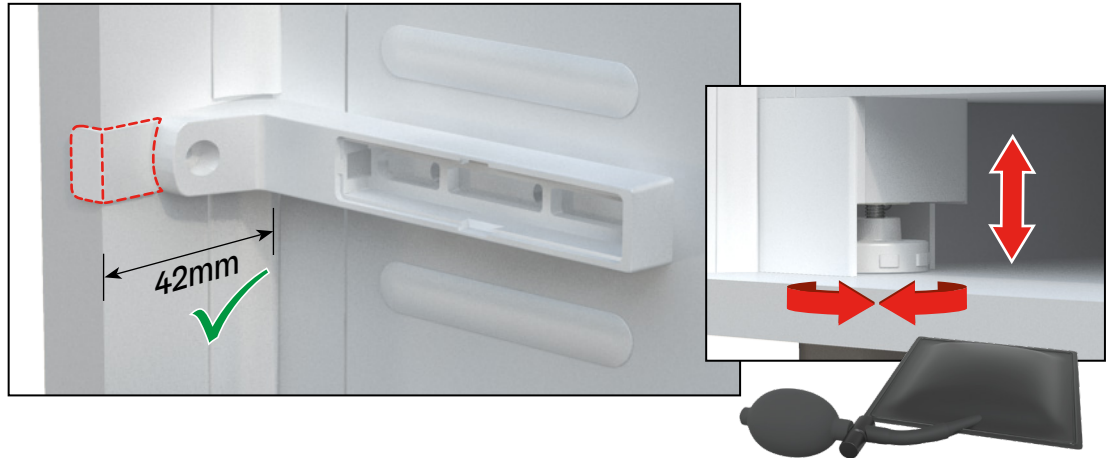
**Mid spacer bracket fitting, (BAG 2)**



**Upper spacer bracket fitting (non hinge side), (BAG 2)**



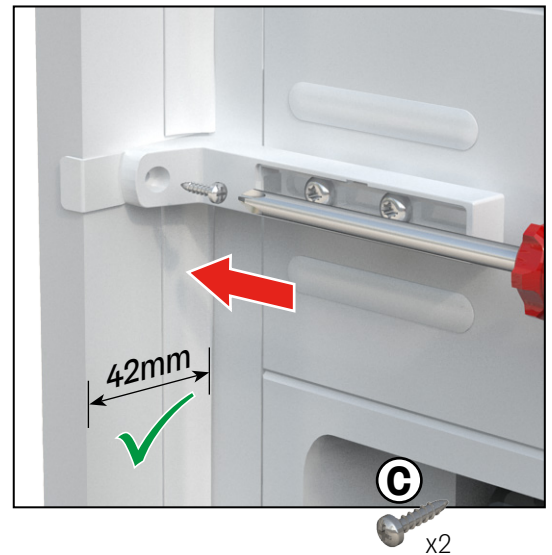
1 - The fridge freezer should be set back **42mm** from the front edge of the cabinet, the spacer brackets will set the appliance to the correct depth. Carefully move appliance and adjust feet to obtain the correct alignment.



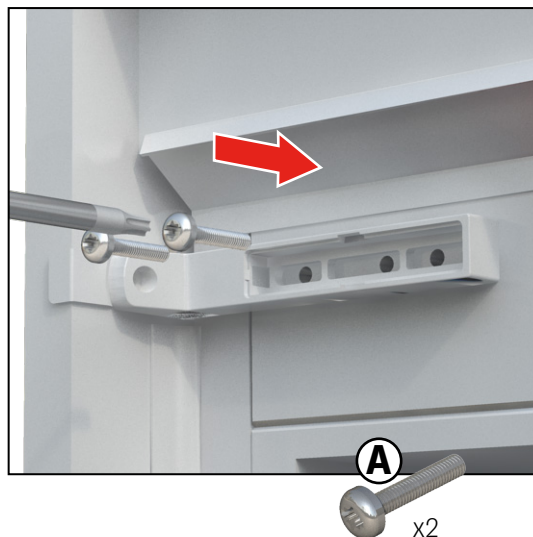
2 - Fit mid spacer brackets. **DO NOT** fully tighten at this stage.



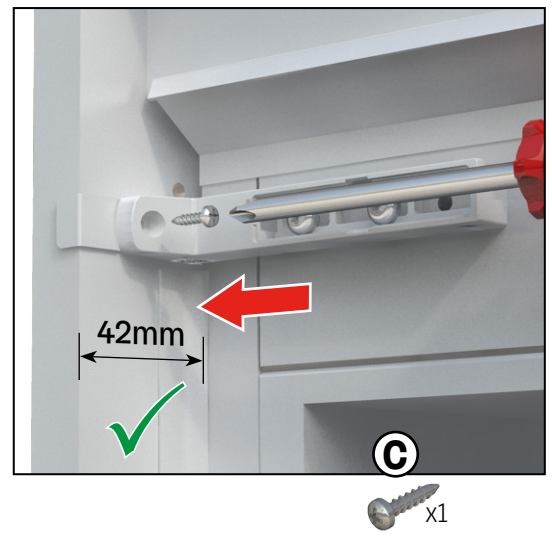
3 - Once spacing is correct, attach to the cabinet sides.



4 - Fit upper spacer bracket. **DO NOT** fully tighten at this stage.



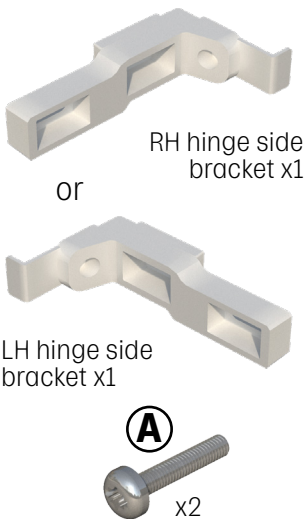
5 - Once spacing is correct, attach to the cabinet side.



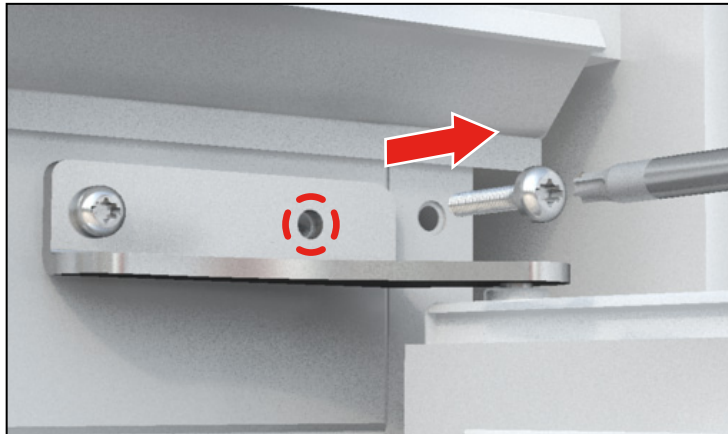
**Top hinge side bracket, (BAG 3)**



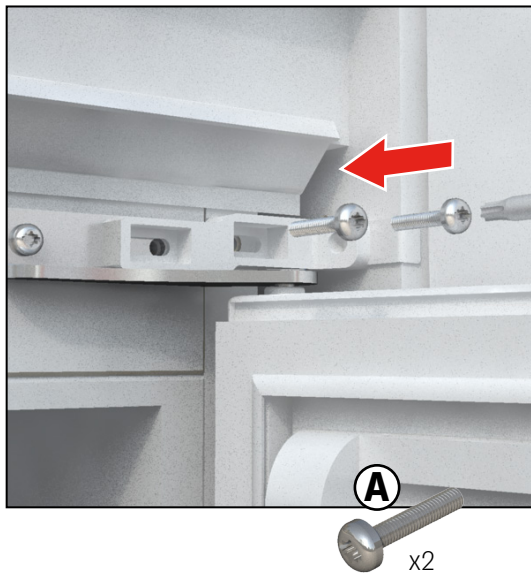
Select the correct hinge side bracket.



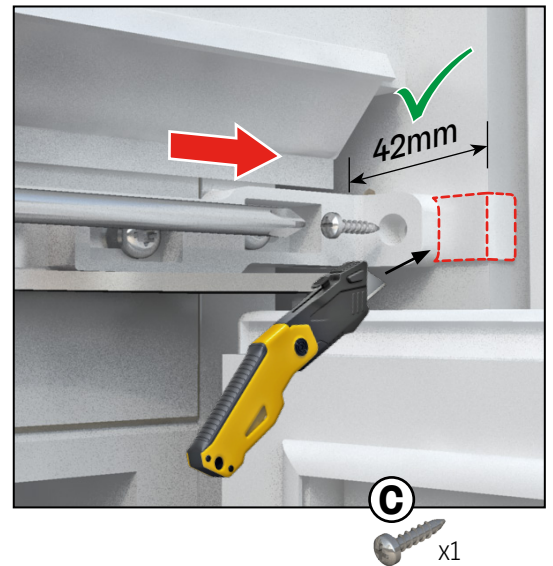
**6** - Remove screw and retain.  
(RH hinge side bracket illustrated.)



**7** - Fit top hinge side bracket.  
**DO NOT** fully tighten at this stage.

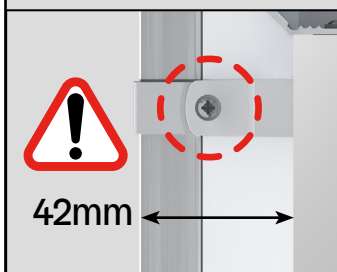


**8** - Once spacing is correct, attach to the cabinet side.

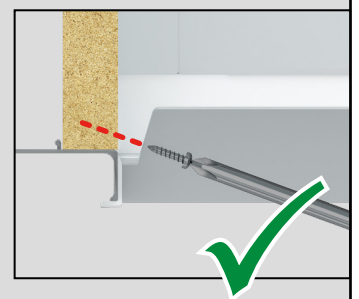
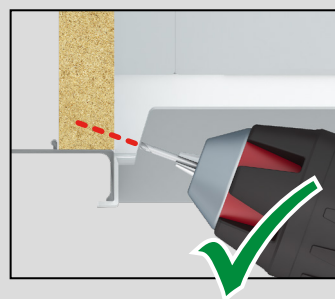
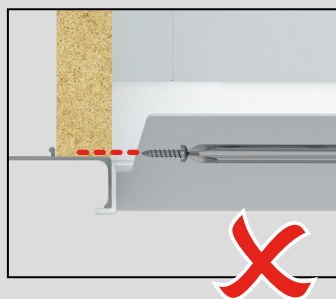


**Profile Kitchen - Bracket modification**

**1** - Position appliance **42mm** from front edge of cabinet.



**2** - Drill bracket so screw fixing is angled into cabinet.



## Door slider fitting, (BAG 4)



1 - Locate slider into the retainer and align with décor door edge, (the tab on the slider gives the correct distance of **21mm**).



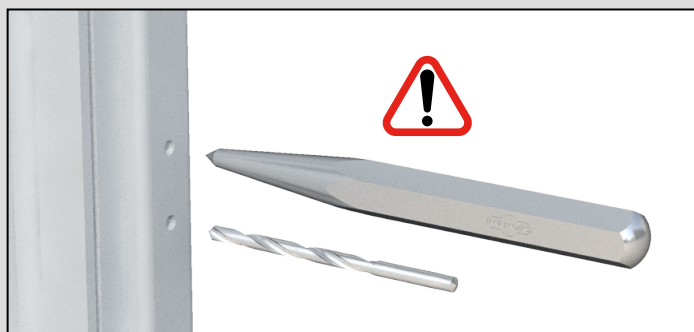
3 - Carefully snap off the distance spacing tabs.



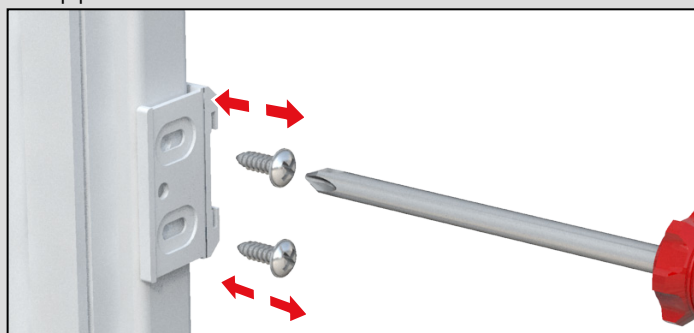
### Door reversal and slider fixing

When reversing the doors go to page 14.

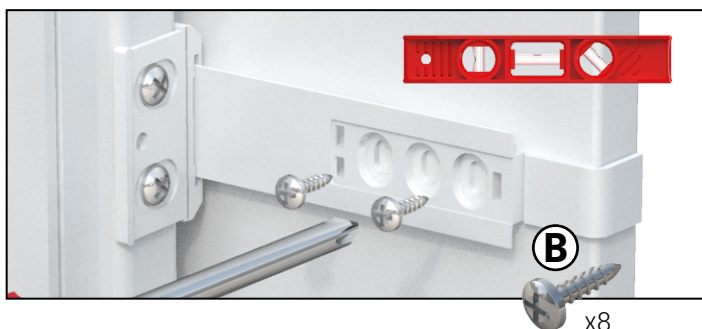
A - Punch or pilot drill the pre-marked holes on the fridge freezer doors.



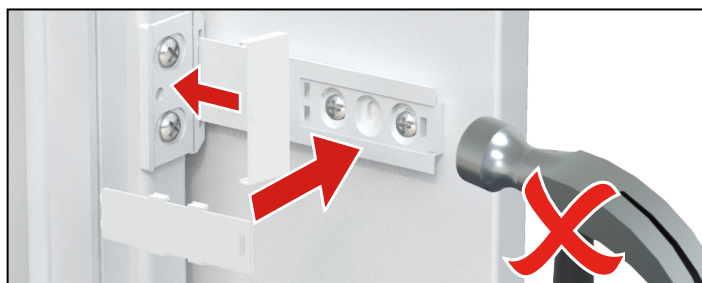
B - Remove and fix the slider retainers to the opposite side of the doors.



2 - Mark, pilot and fix slider to décor door.



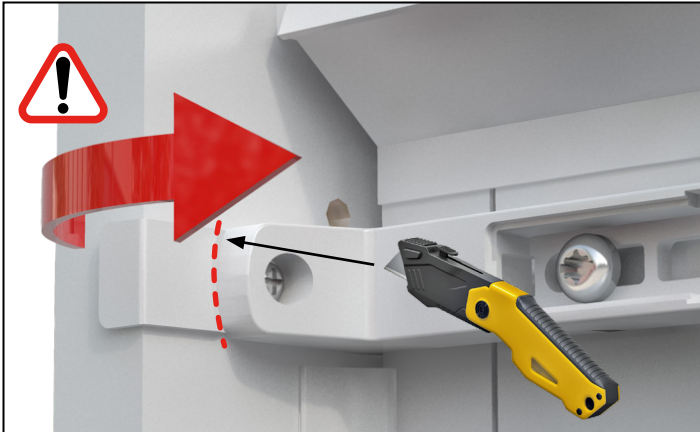
4 - Open / close doors checking for correct function, (if any cabinet hinge adjustment is necessary sliders may need to be re-fixed). Add cover trims.



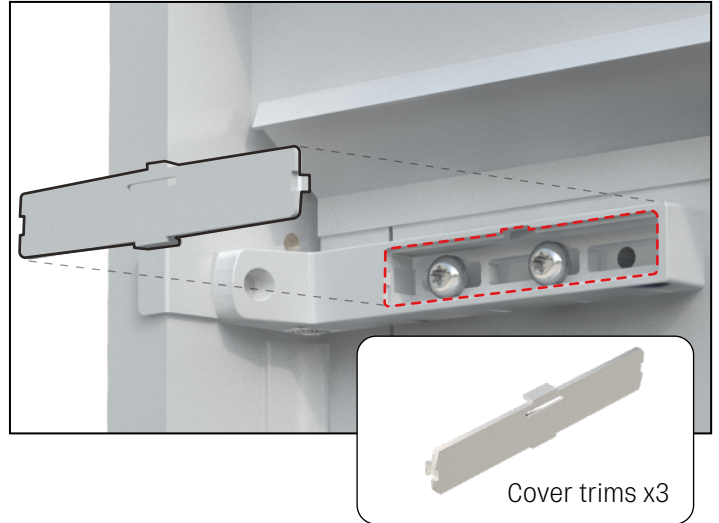
Note: If refrigerator door doesn't close fully a spacer will need to be placed behind the décor door slider to ensure correct closure.

## Fixing bracket trims

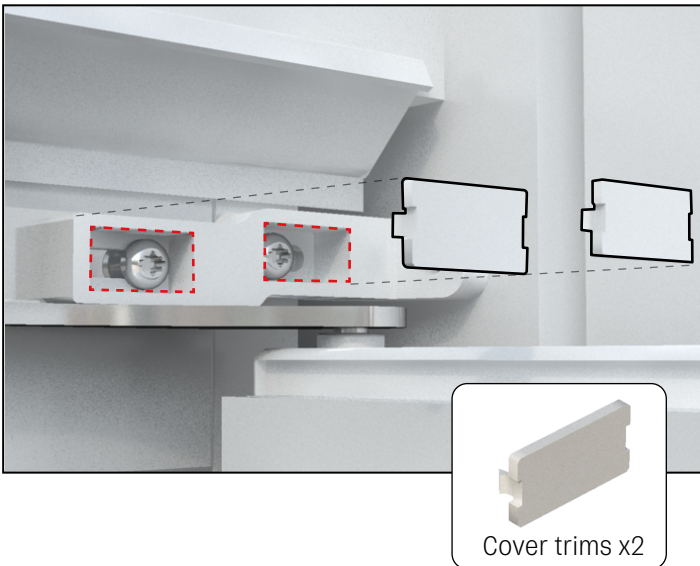
- 1 - Carefully snap off the distance spacing tabs, (if necessary for finish; remove bracket and trim).



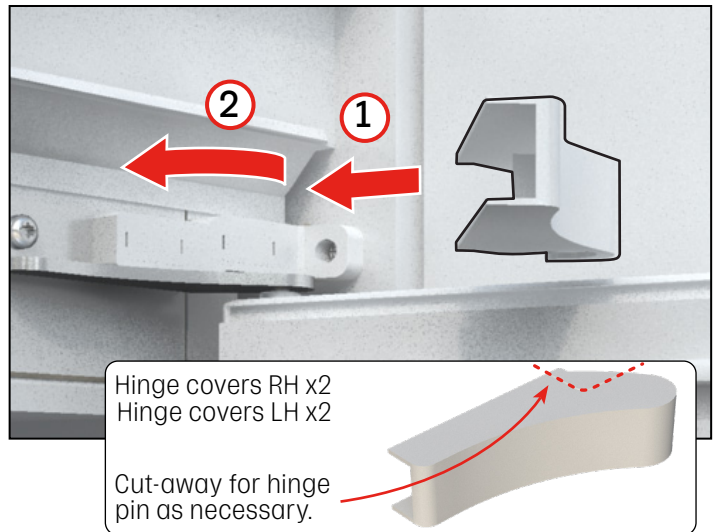
- 2 - Insert cover trims over screw holes, (**BAG 2**). Clip centre in first then the ends.



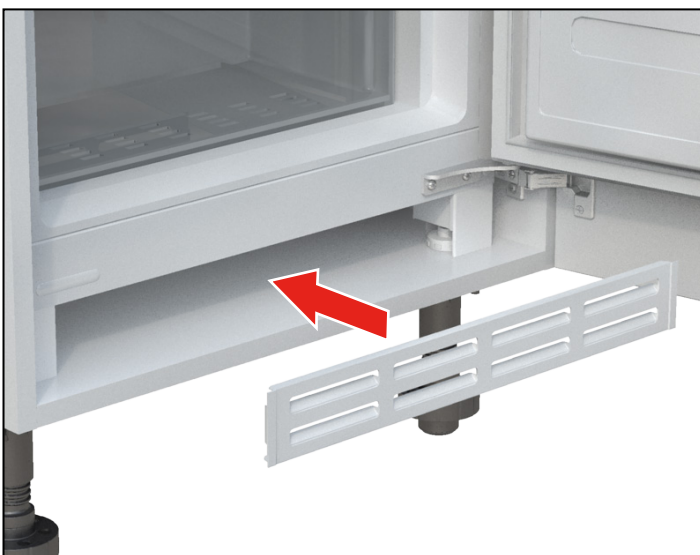
- 3 - Insert cover trims over screw holes, (**BAG 3**).



- 4 - Present hinge covers at 45°, then rotate to fit over the fridge freezer door hinges, (**BAG 5**).

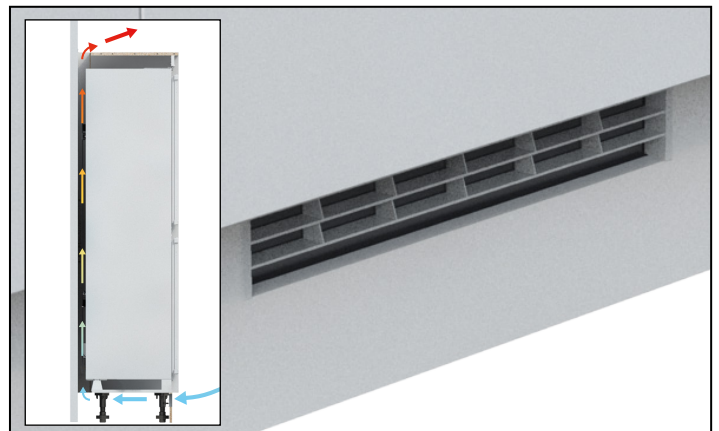


## Clip in front grille



## Plinth vent

Fit a plinth vent for good airflow around the fridge freezer, see **Kitchen Installation Manual** for fitting instructions.





# Reversing door opening

Also see top of page 12

1 - Remove plastic cover caps. Remove door fittings, (lift upwards and away).



Remove x4  
Keep in safe place for future use.

2 - Remove hinge ①, door ② and lower hinge ③.



**WARNING:**  
Support door when removing hinge ①.

3 - Fit hinge ① in new position and place washer.



Plastic washer x1

4 - Remove hinge ④, door ⑤ and lower hinge ⑥.



**WARNING:**  
Support door when removing hinge ④.

5 - Fit hinge ④ in new position and place washer.

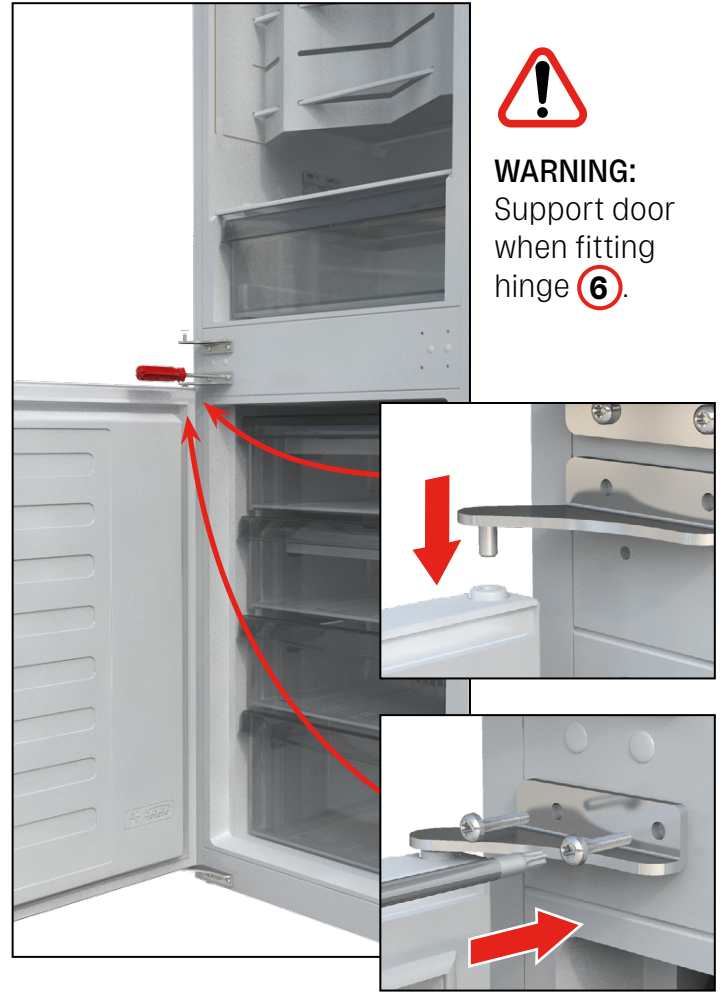


Plastic washer x1

6 - Fit door ⑤.



7 - Fit hinge ⑥ in new position.



8 - Fit door ②.



9 - Fit hinge ③ in new position.



10 - Replace plastic cover caps. Replace door fittings.





Product serial number  
(Place sticker here)

# LAMONA



Product information correct at the time of publication in November 2023.  
The company has a policy of continuous product development and reserves the right to change any products and specifications given in this manual. Subject to the Terms and Conditions of Trading, a copy of the Howdens Terms and Conditions is available upon request.  
Copyright © 2023 Howden Joinery Ltd. All rights reserved.

Howden Joinery Ltd.  
Thorpe Road, Howden, East Yorkshire. DN14 7PA England  
Howdens Cuisines SAS. Z.A. du Bois Rigault Nord,  
1 Rue Calmette, 62880 Vendin-le-Vieil, Cedex, France