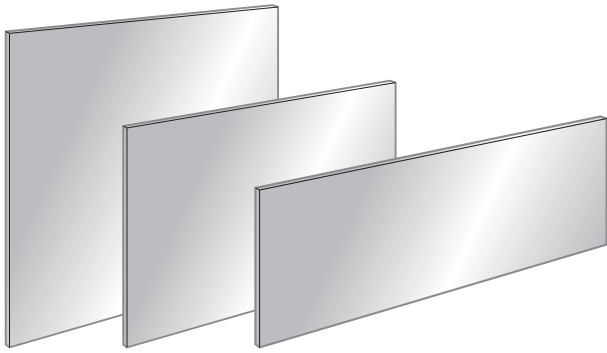


# Glass Splash-back

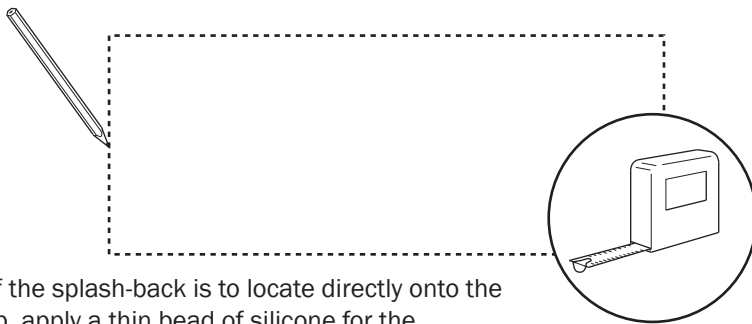


NOTE: Ensure packaging is disposed of in a safe environmentally friendly way

## Assembly

1

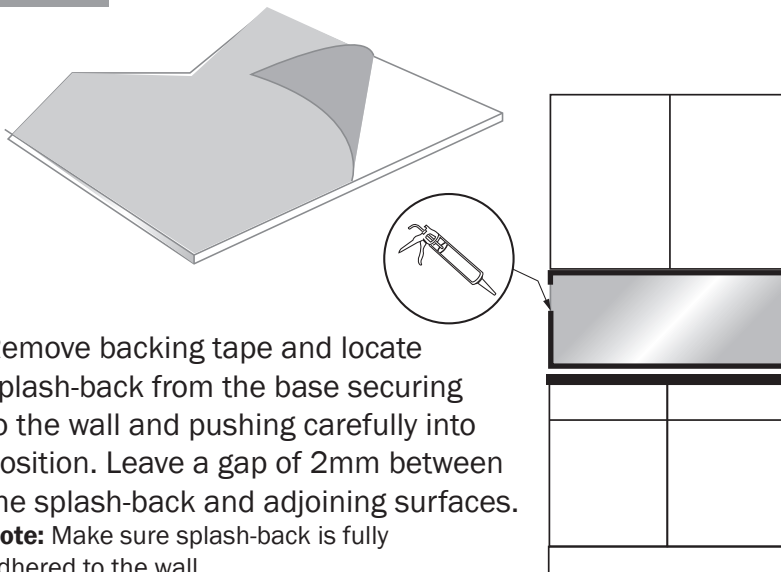
Measure and mark location



**Note:** If the splash-back is to locate directly onto the worktop, apply a thin bead of silicone for the splash-back to sit on. If located just above the worktop ensure level before final fixing.

2

Place the splash-back to the wall to ensure correct location before removing backing tape.



Remove backing tape and locate splash-back from the base securing to the wall and pushing carefully into position. Leave a gap of 2mm between the splash-back and adjoining surfaces.

**Note:** Make sure splash-back is fully adhered to the wall.

We recommend the use of a sanitary or contract silicone sealant around the edges of the worktop.

**Follow your installation manual for all other aspects of Kitchen installation**

## Important Notes

1. Ensure the surface of the wall is sound, properly sealed and free from dust, dirt and grease. Also ensure it is flat, level and suitable for fixing the glass splash-back.
2. Any gap between the worktop and the wall must be sealed to exclude moisture.
3. Once fitted leave the glass in to cure for 24 hours before exposing the splash-back to the heat from the oven/hob.
4. Seal the exposed edges / gaps with a sanitary or contract silicone sealant.
5. Gently clean the glass with a proprietary glass cleaner, and dry the edges.