

LAMONA

Microwave Oven

LAM7300



Instructions and Installation

Register
my appliance

www.howdens.com/appliances-registration

ISSUE v3.1 130522



Free 3 year guarantee

Call now¹

Within the UK:

0333 010 0009

Within Republic of Ireland:

01525 5752

Alternatively, visit www.howdens.com/appliance-registration

LAMONA

3 year guarantee available.

Register your appliance within 90 days²

By registering your appliance and creating an account, we will keep you up to date with the latest product information and notify you immediately of any important product updates

¹Lines are open Monday to Friday 9am to 5pm. Calls will be charged at your local rate and may be recorded and monitored for training and quality purposes.

²So that in the event of an important product update, or recall, we can contact you.

Register ✓
my appliance

Contents

Safety information	4
Children safety	4
General safety	4-6
Safety in use	7
Microwave mode	8-9
Materials you can use	10
Materials to be avoided	10
Contents description	11
Control panel	12
Cleaning	13
Installation safety instructions	14
Installation	14
Electrical connections	14
Installation instructions	16
Built-in furniture	17
Installing the oven	18
Specification	19
Troubleshooting	20
Guarantee details	21

Dear Customer,

Congratulations on your choice of microwave.

This user manual will help you use your product quickly and safely.

- Please read this user manual before installing and using the microwave.
- Always follow the safety instructions.
- Keep this user manual within easy reach for future reference.
- Please read any other documents supplied with the product.

This appliance is intended to be used in household and similar applications - See guarantee page for detailed definition.

Product information correct at the time of publication in February 2018. The company has a policy of continuous product development and reserves the right to change any products and specifications given in this manual.



The appliance is marked according to the European Directive 2012/19/EU on waste Electrical and Electronic Equipment (WEEE). By ensuring this product is disposed of correctly you will help prevent potential negative consequences for the environment and human health. The symbol on this product indicates that this product may not be treated as household waste. Instead it should be handed over to the applicable collection point for recycling of electronic equipment. Disposal must be carried out in accordance with local environmental regulations for waste disposal. For more detailed information please contact your local council household waste site. This product complies with EU RoHS Directive (2011/65/EU) it does not contain harmful and prohibited materials specified in the Directive.

Safety information

Before the installation and use of the appliance, carefully read the supplied instructions. The manufacturer is not responsible for any injuries or damages that are the result of incorrect installation or usage. Always keep the instructions in a safe and accessible location for future reference.

Children and vulnerable people safety

- This appliance can be used by children aged from 8 years and above and persons with reduced physical, sensory or mental capabilities or lack of experience and knowledge if they have been given supervision or instruction concerning the use of the appliance in a safe way and understand the hazards involved.
- Do not let children play with the appliance.
- Keep all packaging away from children and dispose of it appropriately.
- Keep children and pets away from the appliance when it operates or when it cools down. Accessible parts are hot.
- If the appliance has a child safety device, this should be activated.
- Children shall not carry out cleaning and user maintenance of the appliance without supervision.
- Children aged 3 years and under must be kept away from this appliance when it is in operation at all times.

General Safety

- Only a suitably qualified person must install this appliance or replace the mains cable.
- **WARNING:** The appliance and its accessible parts become hot during use.
- Children less than 8 years of age shall be kept away unless continuously supervised.
- Always use oven gloves to remove or put in accessories or oven-ware.


- Before carrying out any maintenance, disconnect the appliance from the power supply.
- Ensure that the appliance is switched off before replacing the lamp to avoid the possibility of electric shock.
- Do not use a steam cleaner to clean the appliance.
- Do not use harsh abrasive cleaners or sharp metal scrapers to clean the glass door since they can scratch the surface, which may result in shattering of the glass.
- If the mains power supply cable is damaged, it must be replaced by the manufacturer, Authorised Service Centre or similarly qualified persons to avoid an electrical hazard.
- Do not activate the appliance when it is empty. Metal parts inside the cavity can create electric arcing.
- Metallic containers for food and beverages are not allowed during microwave cooking. (This requirement is not applicable if the manufacturer specifies size and shape of metallic containers suitable for microwave cooking).
- If the door or door seals are damaged, the appliance must not be operated until it has been repaired by a qualified person.
- Only a qualified person can carry out any service or repair operation that involves the removal of a cover giving protection against exposure to microwave energy.
- Do not heat liquids and other foods in sealed containers. They are liable to explode.
- Only use utensils that are suitable for use in microwave ovens.
- When heating food in plastic or paper containers, monitor the appliance due to the possibility of ignition.
- The appliance is intended for heating food and beverages only.
- Drying of food or clothing and heating of warming pads, slippers, sponges, damp cloth and similar may lead to risk of injury, ignition or fire.
- If smoke is emitted, switch off or unplug the appliance and keep the door closed in order to stifle any flames.

- Microwave heating of beverages can result in delayed eruptive boiling. Care must be taken when handling the liquid's container.
- The contents of feeding bottles and baby food jars shall be stirred or shaken and the temperature checked before consumption, in order to avoid burns.
- Eggs in their shell and whole hard-boiled eggs should not be heated in the appliance since they may explode, even after microwave heating has ended.
- The appliance should be cleaned regularly and any food deposits removed immediately after cooking.

Precautions to avoid possible exposure to excessive microwave energy

Do not attempt to operate this oven with the door open since this can result in harmful exposure to microwave energy. It is important not to break or tamper with safety interlocks.

Do not place any object between the oven front face and door or allow soiling or cleaning residue to accumulate on these closing, sealing surfaces.

 **WARNING:** If the door or door seals are damaged, the oven must not be operated until it has been repaired by a competent person.

If the apparatus is not maintained in a good state of cleanliness, its surface could be degraded and affect the lifespan of the product and lead to a malfunction.

Safety in use



WARNING! Risk of injury, burns and electrical shock or explosion.

- This appliance is for household use only.
- Do not change the specification of this appliance.
- Make sure that the ventilation openings are not blocked.
- Do not leave the appliance unattended during operation.
- Deactivate the appliance after each use.
- Be careful when you open the appliance door while the appliance is in operation. Hot air / steam may be released.
- Do not operate the appliance with wet hands or when it has been in contact with water.
- Do not apply pressure on the open door.
- Open the appliance door carefully. The use of ingredients with alcohol can cause a mixture of alcohol and air, and possible ignition.
- Do not let sparks or open flames come in contact with the appliance when you open the door.
- Do not put flammable products or items that are wet with flammable products in, near, or on the appliance.
- Do not use microwave function to preheat the oven.
- If microwave is mounted at height take care when removing hot cookware, especially with liquids.



WARNING! Risk of damage to the appliance.

- Do not put aluminium foil directly on the bottom of cavity of the appliance.
- Do not put water directly into the hot appliance.
- Do not keep moist dishes and food in the appliance after you finish the cooking.
- Be careful when you remove or install the accessories.

- Discolouration of the enamel or stainless steel has no effect on the performance of the appliance.
- Use a deep pan for moist cakes. Fruit juices cause stains that can be permanent.

Microwave mode



CAUTION! Do not let the appliance operate when there is no food in it.

- After you deactivate the appliance, let the food stand for some minutes. Refer to the microwave cooking tables: standing time.
- Remove the aluminium foil packaging, metal containers, etc. before you prepare the food for heating.
- Put the food on a plate on the turn table if not specified differently.
- If possible, always stir the food during and before serving.

Cooking:

- If possible, cook food covered with material suitable for use in the microwave. Only cook food without a cover if you want to keep a crust.
- Do not overcook the dishes by setting the power and time too high. The food can dry out, burn or catch fire in some cases.
- Do not use the appliance to cook eggs in their shells, because they can burst. With fried eggs, pierce the yolks first.
- Pierce skin or peel potatoes, tomatoes, sausages and similar types of food with a fork, several times before cooking so that the food does not burst open.
- For chilled / frozen food, set a longer cooking time at a lower power.
- Dishes containing sauce must be stirred from time to time.
- Turn larger pieces of food over after half the cooking time.

- If possible, cut vegetables into similar-sized pieces.
- Use flat, wide dishes.
- Do not use cookware made of porcelain, ceramic or earthenware with unglazed bottoms, or small holes, e.g. on handles. Moisture going into the holes can cause the cookware to crack and get very hot when it is cooked.

Defrosting meat, poultry, fish:

- Put the frozen, unwrapped food on a small upturned plate with a container below it, or on a defrosting rack or plastic sieve so that the defrosting liquid can run off.
- Turn the food after half the defrosting time. If possible, divide and then remove the pieces that have started to defrost.

Defrosting butter, portions of gâteau:

- Do not fully defrost in the appliance, but let them defrost completely at room temperature. This gives a more even result. Remove all metal or aluminium packaging or parts before defrosting.

Defrosting fruit, vegetables:

- If fruit and vegetables are not to be cooked completely, do not defrost them fully in the appliance but let them defrost completely at room temperature.
- To cook fruit and vegetables without defrosting them first, you can use a high microwave power.

Ready Meals:

- Ready meals in metal packaging or plastic trays with metal covers can only be defrosted or heated in the microwave if they are expressly designated as suitable for use in the microwave.
- You must follow the manufacturer's instructions printed on the packaging (e.g. remove cover / pierce the plastic film).

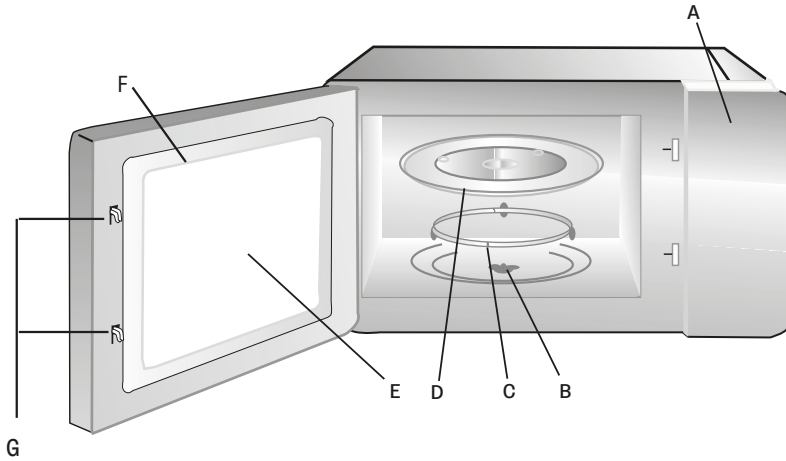
Materials you can use in a microwave oven

Utensils	Remarks
Browning dish	Follow manufacturer's instructions. The bottom of browning dish must be at least 3/16 inch (5mm) above the turntable. Incorrect usage may cause the turntable to break.
Dinnerware	Microwave-safe only. Follow manufacture's instructions. Do not use cracked or chipped dishes.
Glass jars	Always remove lid. Use only to heat food until just warm. Most glass jars are not heat resistant and may break.
Glassware	Heat-resistant oven glassware only. Make sure there is no metallic trim. Do not use cracked or chipped dishes.
Oven cooking bags	Follow manufacturer's instructions. Do not close with metal tie. Make slits to allow steam to escape.
Paper plates and cups	Use for short-term cooking/warming only. Do not leave oven unattended while cooking.
Paper towels	Use to cover food for reheating and absorbing fat. Use with supervision for a short-term cooking only.
Parchment paper	Use as a cover to prevent splattering or a wrap for steaming.
Plastic	Microwave-safe only. Follow the manufacturer's instructions. Should be labelled "Microwave Safe". Some plastic containers soften, as the food inside gets hot. "Boiling bags" and tightly closed plastic bags should be slit, pierced or vented as directed by package.
Plastic wrap	Microwave-safe only. Use to cover food during cooking to retain moisture. Do not allow plastic wrap to touch food.
Thermometers	Microwave-safe only.
Wax paper	Use as a cover to prevent splattering and retain moisture.

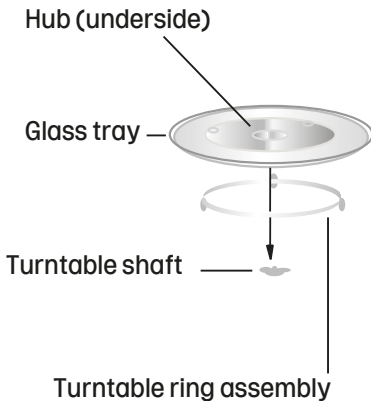
Materials to be avoided in a microwave oven

Utensils	Remarks
Aluminium tray / Foil	May cause arcing. Transfer food into microwave-safe dish.
Food carton with metal handle	May cause arcing. Transfer food into microwave-safe dish.
Metal or metal-trimmed utensils	Metal shields the food from microwave energy. Metal trim may cause arcing.
Metal twist ties	May cause arcing and could cause a fire in the oven.
Paper bags	May cause a fire in the oven.
Plastic foam	Plastic foam may melt or contaminate the liquid inside when exposed to high temperature.
Wood	Wood will dry out when used in the microwave oven and may split or crack.

Contents description



Turntable Installation



- A) Control panel
- B) Turntable shaft
- C) Turntable ring assembly
- D) Glass tray
- E) Observation window
- F) Door assembly
- G) Safety interlock system

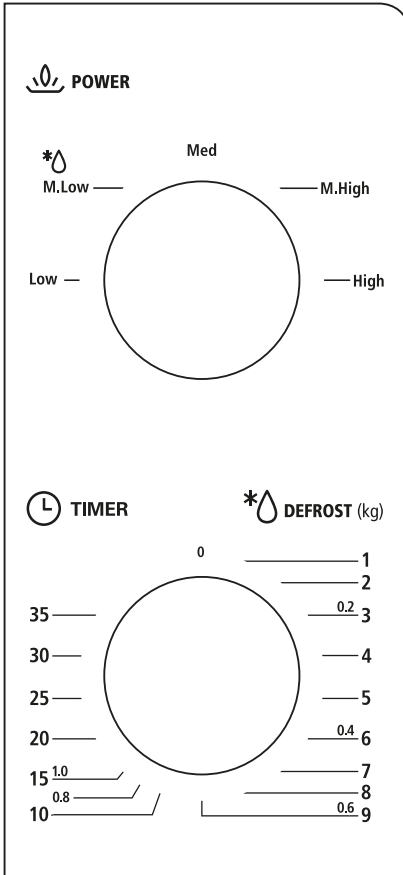
A. Never place the glass tray upside down. The glass tray should never be restricted.

B. Both glass tray and turntable ring assembly must always be used during cooking.

C. All food and containers of food are always placed on the glass tray for cooking.

D. If glass tray or turn-able ring assembly cracks or breaks, contact your nearest authorised service centre.

Control panel



Function	Output	Application
Low	17%	Soften ice cream
M. Low (Defrost)	33%	Soup stew, soften butter or defrost
Med	55%	Stew, fish
M.High	77%	Rice, fish, chicken ground meat
High	100%	Reheat, milk, drinks boil water, veg

Notice: When removing food from the oven, please ensure that the oven power is switched off by turning the timer switch to 0 (zero). Failure to do so, and operating the microwave oven without food in it, can result in overheating and damage to the magnetron.

1. To set cooking power by turning the power knob to the desired level.
2. To set the time of cooking by turning the timer knob to desired time per your food cooking guide.
3. The microwave oven will automatically start cooking after the power level and time are set.
4. After the cooking time is up, the unit will sound to stop.
5. If the unit is not in use, always set to 0.

Cleaning

Be sure to disconnect / unplug the appliance from the power supply beforehand.

1. Clean the cavity of the oven after use with a slightly damp cloth.
2. Clean the accessories in the usual way in soapy water.
3. The door frame seal and neighbouring parts must be cleaned carefully with a damp cloth when they are dirty.
4. Do not use harsh abrasive cleaners or sharp metal scrapers to clean the oven door glass since they can scratch the surface, which may result in shattering of the glass.
5. Cleaning tip - For easier cleaning of the cavity walls that the food cooked can touch: Place half a lemon in a bowl, add 300ml (1/2 pint) water and heat on 100% microwave power for 10 minutes. Wipe the oven clean using a soft, dry cloth.

See the instructions on "Materials you can use in microwave oven microwave oven or to be avoided in microwave oven." There may be certain non-metallic utensils that are not safe to use for microwaving. If in doubt, you can test the utensil in question following the procedure below.

Utensil Test:

1. Fill microwave-safe container with 1 cup of cold water (250ml) along with the utensil in question.
2. Cook on maximum power for 1 minute.
3. Carefully feel the utensil. If the empty utensil is warm, do not use it for microwave cooking.
4. Do not exceed 1 minute cooking time.

Installation safety instructions

Installation



WARNING! Only a suitably competent / qualified person must install this appliance.

- Remove all the packaging.
- Do not install or use a damaged appliance.
- Follow the installation instruction supplied.
- Always take care when moving the appliance as it is heavy.
- Always use safety gloves and enclosed footwear.
- Do not pull or lift appliance by the door.
- Keep the minimum distance from the other appliances and units.
- Make sure that the appliance is installed below and adjacent safe structures.
- The sides of the appliance must stay adjacent to appliances or to units with the same with the same height.
- The appliance is equipped with an electric cooling system. Do not power off immediately after cooking.

Electrical connections



WARNING! Risk of fire and electrical shock.

- The electrical connection must be made by a suitably qualified person. The product must be installed in accordance with all local regulations.
- The appliance must be earthed.
- Make sure that the parameters on the rating plate are compatible with the electrical ratings of the mains power supply.
- Always use a correctly installed socket.
- Do not use multi-plug adapters and extension cables.
- Do not let mains cables touch or come near the appliance.

- Make sure not to cause damage to the mains plug and to the mains cable. Should the mains cable need to be replaced, this must be carried out by our Authorised Service Centre or suitably qualified person.
- The shock protection outer cabinet of live and insulated parts must never be removed.
- Connect the mains plug to the mains socket only at the end of the installation. Make sure that there is access to the mains plug after the installation.
- If the mains socket is loose, do not connect the mains plug.
- Do not pull the mains cable to disconnect the appliance. Always pull the mains plug.
- Use only correct isolation devices: line protecting cut-outs, fuses earth leakage trips and contactors.
- The electrical installation must have an isolation device which lets you disconnect the appliance from the mains at all poles. The isolation device must have a contact opening width of minimum 3 mm.
- This appliance complies with the E.E.C. Directives.

Installation instructions

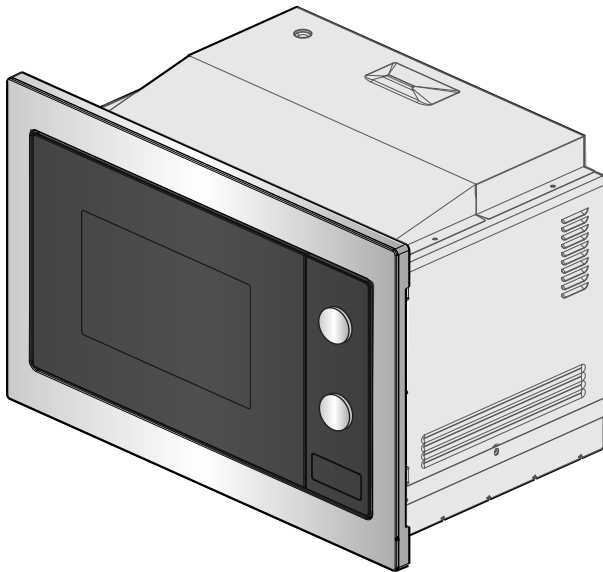
The cabinet must have the rear panel removed behind the microwave and the service void must be maintained for ventilation.

Specific sized gap could be referenced by the diagrams:

Minimum installation height: 850mm

DO NOT COVER VENTILATION SLOTS.

NOTE: DO NOT TRAP OR BEND THE POWER CABLE.



Parts included:



Screw A



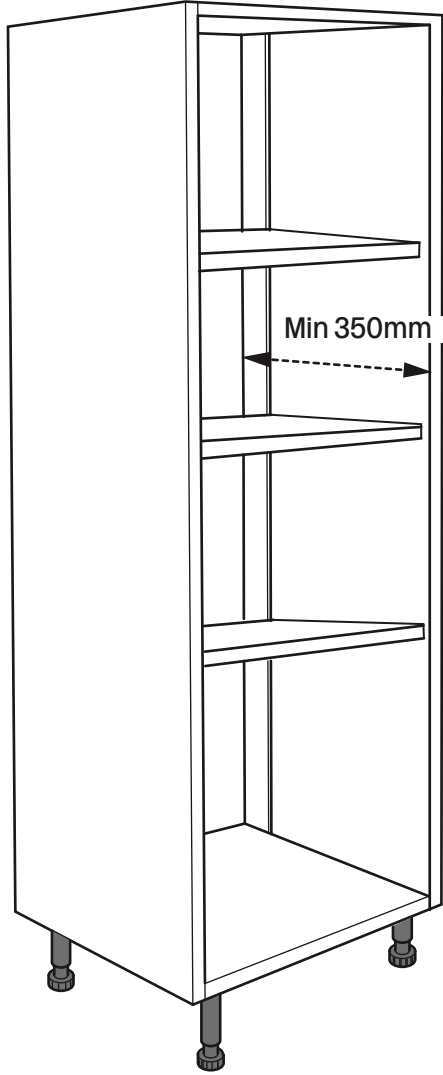
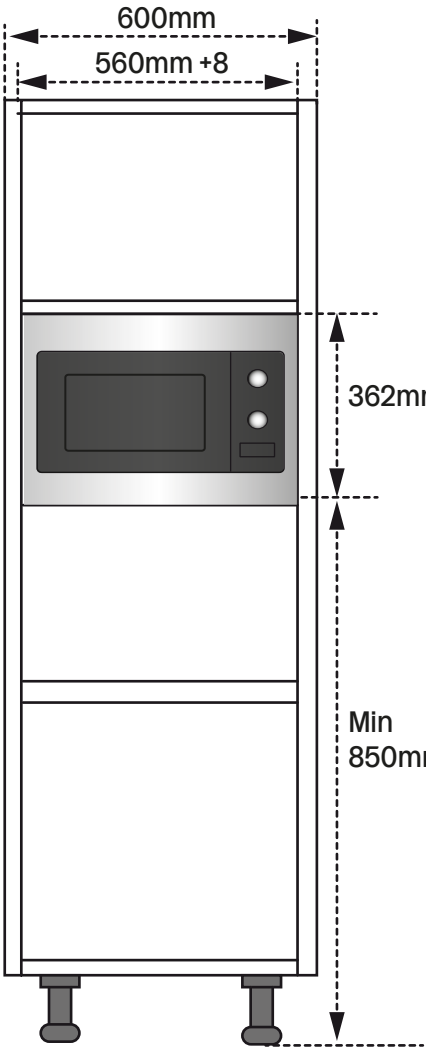
Screw B



Trim kit plastic cover

Built-in furniture

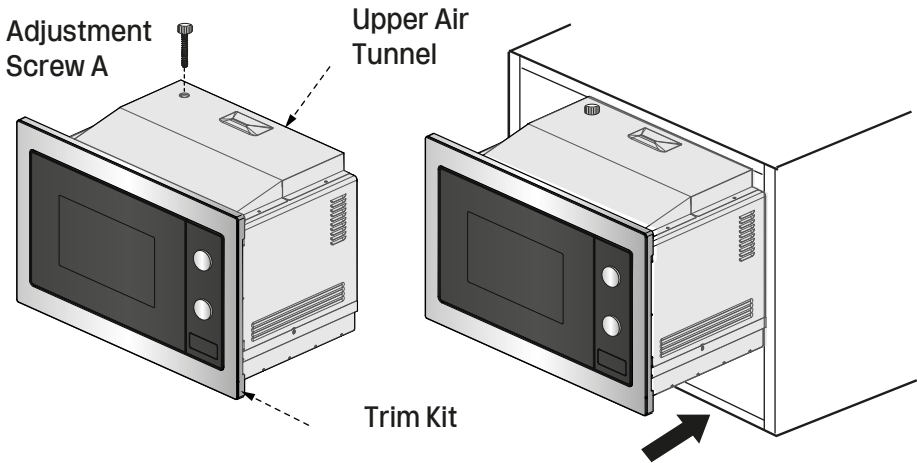
* Depending upon the installation and any other appliance (e.g oven) fitted the microwave may need to be raised on the shelf slightly to avoid fascia clash.



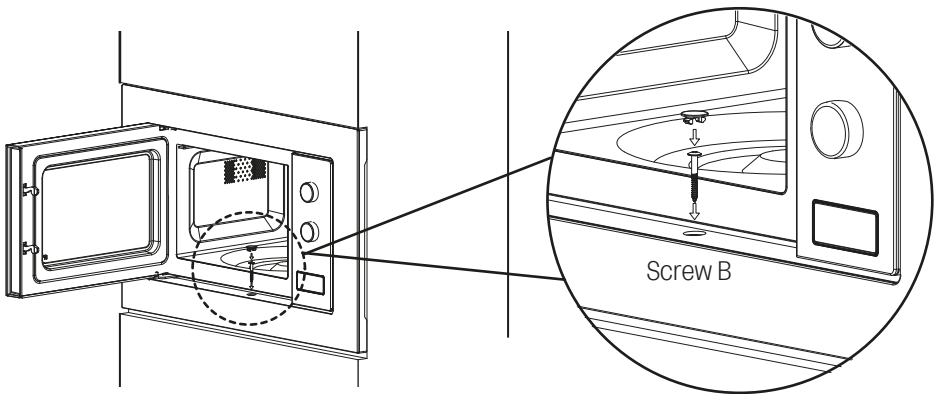
Installing the oven

Fix the adjustment screw A on the upper air tunnel of the oven, and then install the oven into the cabinet.

- Adjust the height of the adjust screw A to keep a 1mm gap between the adjust screw A and the top of the cabinet.
- Do not trap or kink the power cord.
- Make sure that the oven is installed in the center of the cabinet.



Open the door, fix the oven to the cabinet with screw B, via the installation hole. Then fix the trim kit plastic cover to the installation hole. Take care to insert screw vertically to avoid piercing front shelf edge.




NOTE: Any existing screws in this area should be removed and screw B should be used.

Specification

Model	LAM7300
Rated Voltage	230V~50Hz
Total Input Power	1250W
Fuse:	13A
Rated Output Power (Microwave)	800W
Oven Capacity	20L
Turntable Diameter	Ø245mm
External Dimensions	594x344x382mm
Net Weight	Approx15kg

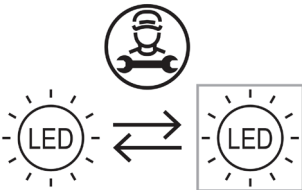
Troubleshooting

 **WARNING!** Refer to Safety chapters.

What to do if...

Problem	Possible cause	Remedy
The oven does not heat up.	The oven is deactivated.	Activate the oven.
The oven does not heat up.	The necessary settings are not set.	Make sure that the settings are correct.
The oven does not heat up.	The door is not closed correctly.	Fully close the door.
The oven does not heat up.	A fuse has operated.	Make sure that the fuse is the cause of the malfunction. If the fuse releases again and again, contact the service line.
The lamp does not operate.	The lamp is defective.	Call service line.
Steam and condensation settled on the food and in the cavity of the oven.	You left the dish in the oven for too long.	Do not leave the dishes in the oven for longer than 15 - 20 minutes after the cooking process ends.
Steam and condensation settled on the food and in the cavity of the oven.	Dish was not covered allowing steam to escape.	Cover the dish with microwaveable cling film and pierce as required.

LED lighting replacement



LED lighting source replaceable by professional

Warning: the LED light must not be replaced by the user! If the LED light is damaged, contact an authorised service representative for repair.

The lamp used in this product is not suitable for use in the lighting of a room.

The purpose of this lamp is to provide illumination for using the product.

Product Guarantee Details (UK & Republic of Ireland ONLY)

Your appliance has the benefit of a comprehensive manufacturer's guarantee which covers the cost of breakdown repairs. (Details of which are shown on your Proof of Purchase Document).

- Any claim during the period of the guarantee **MUST BE ACCOMPANIED BY THE PROOF OF PURCHASE.**
- The product must be correctly installed and operated in accordance with the manufacturer's instructions and used for normal domestic purposes.
- This guarantee does not cover accidental damage, misuse or alterations which are likely to affect the product.
- The guarantee is invalid if the product is tampered with, or repaired by any unauthorised person. *(The guarantee in no way affects your statutory or legal rights).*

What to do if you need to report a problem

Please ensure you have ready:

- The product's model and serial numbers.
- Howdens Proof of Purchase Document.
- Your full contact details.

Call the Depot number on your Proof of Purchase Document supplied with the product/kitchen.

or

Call the LAMONA Service Line on:

Within the UK: 0344 460 0006

Within Republic of Ireland: 01525 5703

- Product installed within a domestic kitchen or a non-domestic kitchen where 8 or fewer people are using the appliance.

Where to find model and serial number on your appliance.	On the rear of the oven.
--	--------------------------

Spare Parts availability – 10 years

Only fit Genuine Spare Parts

www.lamonaspares.co.uk (UK only)



Product serial number
(Place sticker here)

LAMONA

at the heart of the kitchen



Points de collecte sur www.quefairedemesdechets.fr
Privilégiez la réparation ou le don de votre appareil!

Howden Joinery Ltd, Thorpe Road, Howden, East Yorkshire, DN14 7PA

Imported in EU by: Houdan Cuisines SAS, Z.A. du Bois Rigault Nord,
1 Rue Calmette, 62880 Vendin-le-Vieil, Cedex, France.

Product information correct at the time of publication in March 2022.
The company has a policy of continuous product development and reserves the right to change any products and specifications given in this manual. Subject to the Terms and Conditions of Trading, a copy of the Howdens Terms and Conditions is available upon request.

Copyright © 2022 Howden Joinery Ltd. All rights reserved.