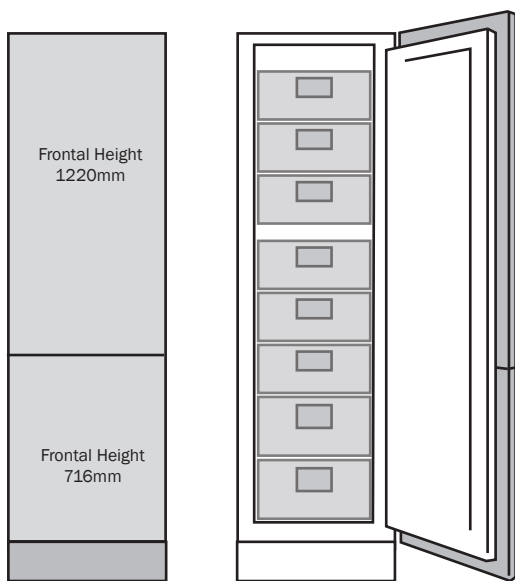


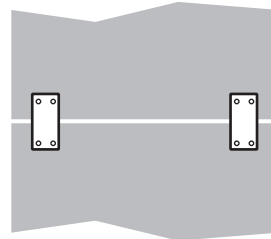
# Full Height Refrigeration 70/30 Door Application



Follow the instructions below for fitting the 70/30 Tower Cabinet doors to a Full Height Fridge or Freezer.

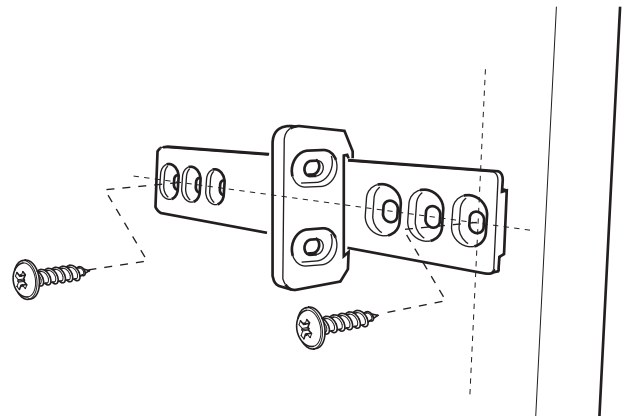
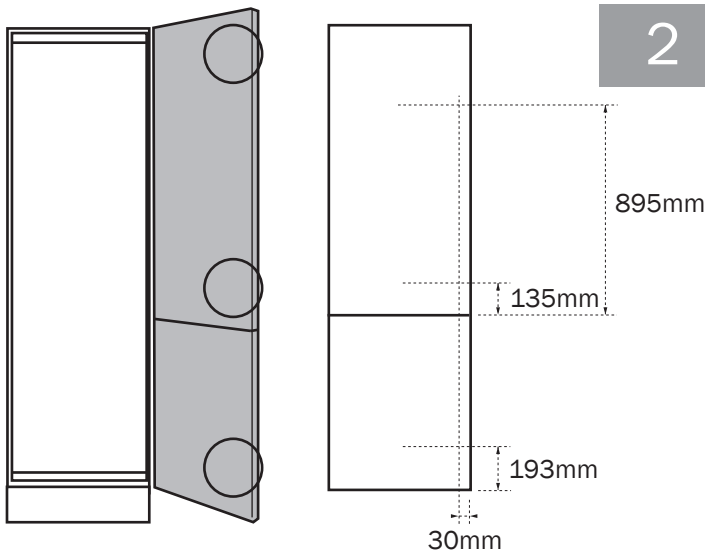
1

Hang the doors to the cabinet as shown in the Kitchen installation manual and secure together with metal plates (see illustration below).



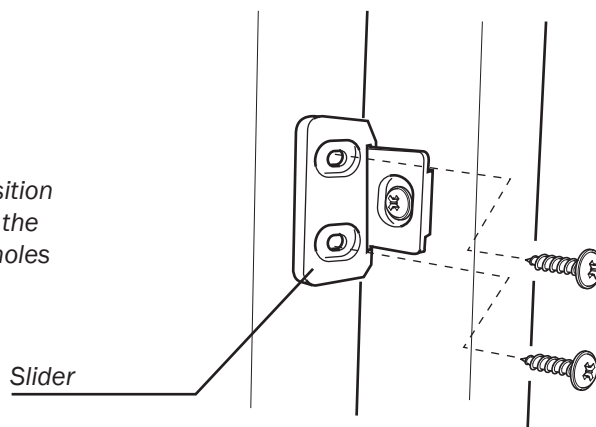
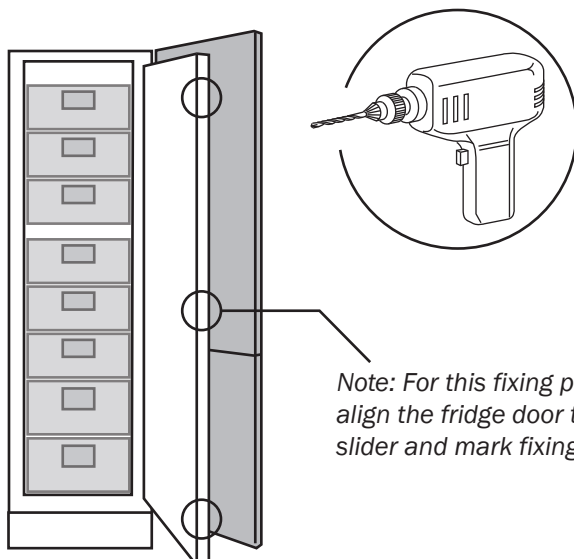
2

Measure, mark & fit brackets to doors.



3

Drill through the two sets of holes pre-marked into the edge of the appliance door. Secure the slider parts of the brackets to the appliance door.



Follow your installation manual for all other aspects of cabinet installation