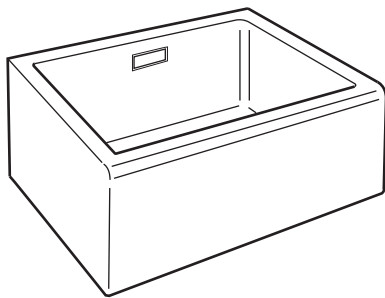


Stainless Steel Belfast Sink

SSBELFSNK10

Installation & Care Information



Important Notes:

Ensure packaging is disposed of in a safe environmentally friendly way

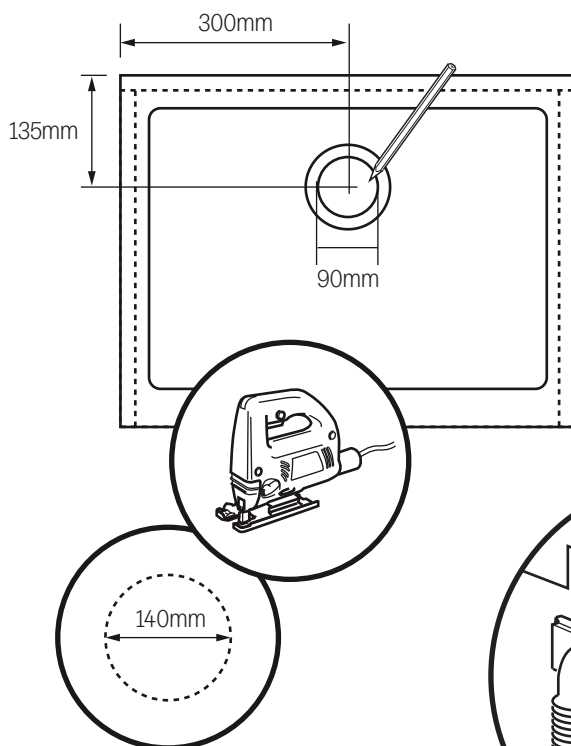
Belfast sink installation should be carried out once cabinets are fitted and level. Use the appropriate plumbing kits supplied

For use on 600mm base cabinets

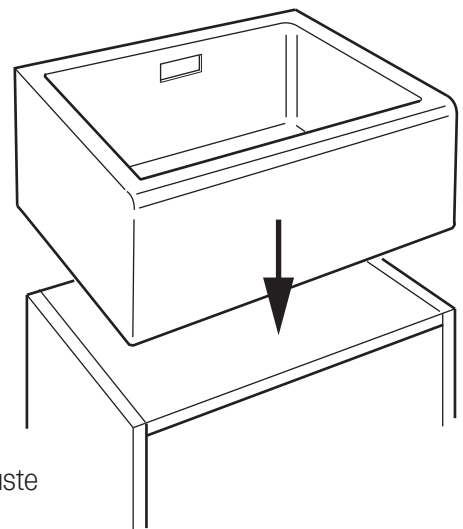
Overall product size: 600 x 465 x 254mm - Corner radius 3mm
Sink is suitable for Apron front/undermount fixing

Installation Overview

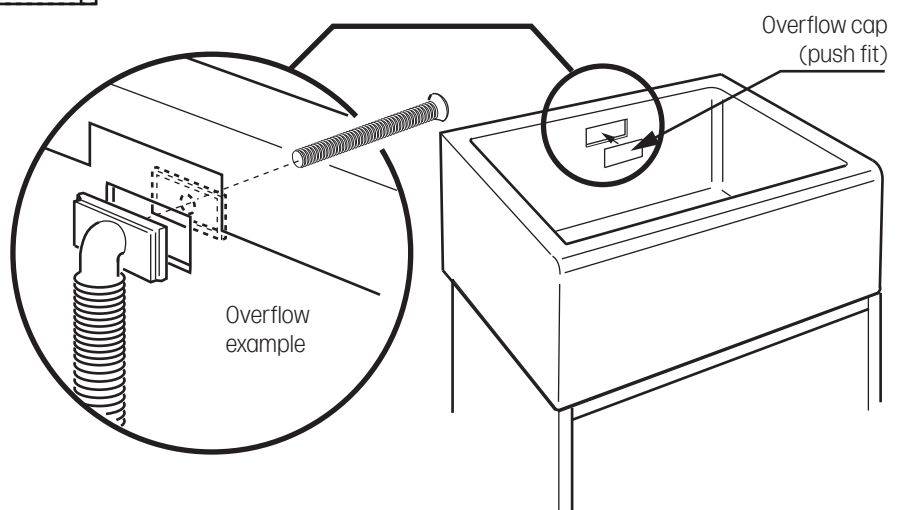
- 1 Position the sink and mark for waste pipe. Cut cabinet as required (140mm for the waste).



- 2 Fit the sink to the base cabinet.



- 3 Fit plumbing kits and waste (supplied).

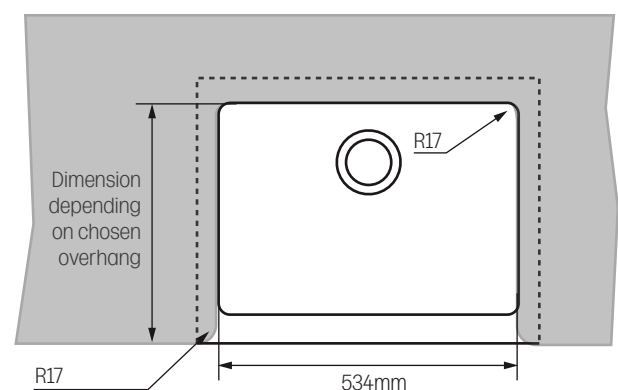
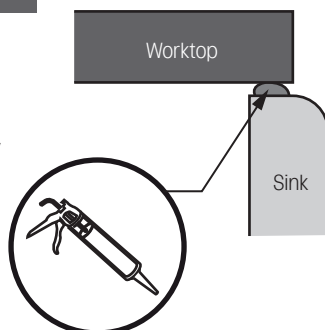


***Note:** The belfast sink base cabinet is designed to have a fascia rail above the fitted door. This fascia is secured using fixing blocks.

Installation Overview

Worktop cut out sizes should be to the outside edge of the bowl radius. See example shown. Please ensure all measurements are checked before any worktops are templated and cut.

A bead of silicone should be placed around the rim of the sink to seal the worktop.



Care & Maintenance

Most deposits can be removed with washing up liquid and hot water, followed by a clean water rinse. Dry the sink with a soft cloth to avoid a build up of lime-scale on the surface.

Any staining is generally caused by a build up of lime-scale or similar mineral deposit, particularly prevalent in hard water areas. Lime-scale readily absorbs staining agents such as tea, coffee, red wine, etc. Always rinse and dry your sink after use to avoid mineral deposits being left behind on the surface when the water evaporates.

To remove any lime-scale that has built up on your sink, use a proprietary lime-scale removing product. Alternatively, soak in a solution of one part vinegar to three parts water. This will loosen the scale, making it possible to clean away with a kitchen cleaner.

Note: Use of abrasives should be kept to a minimum in these instances.

Care points

