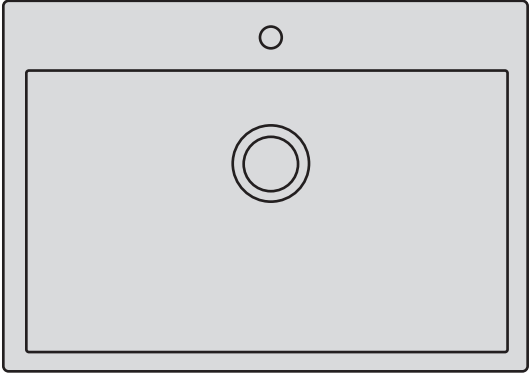
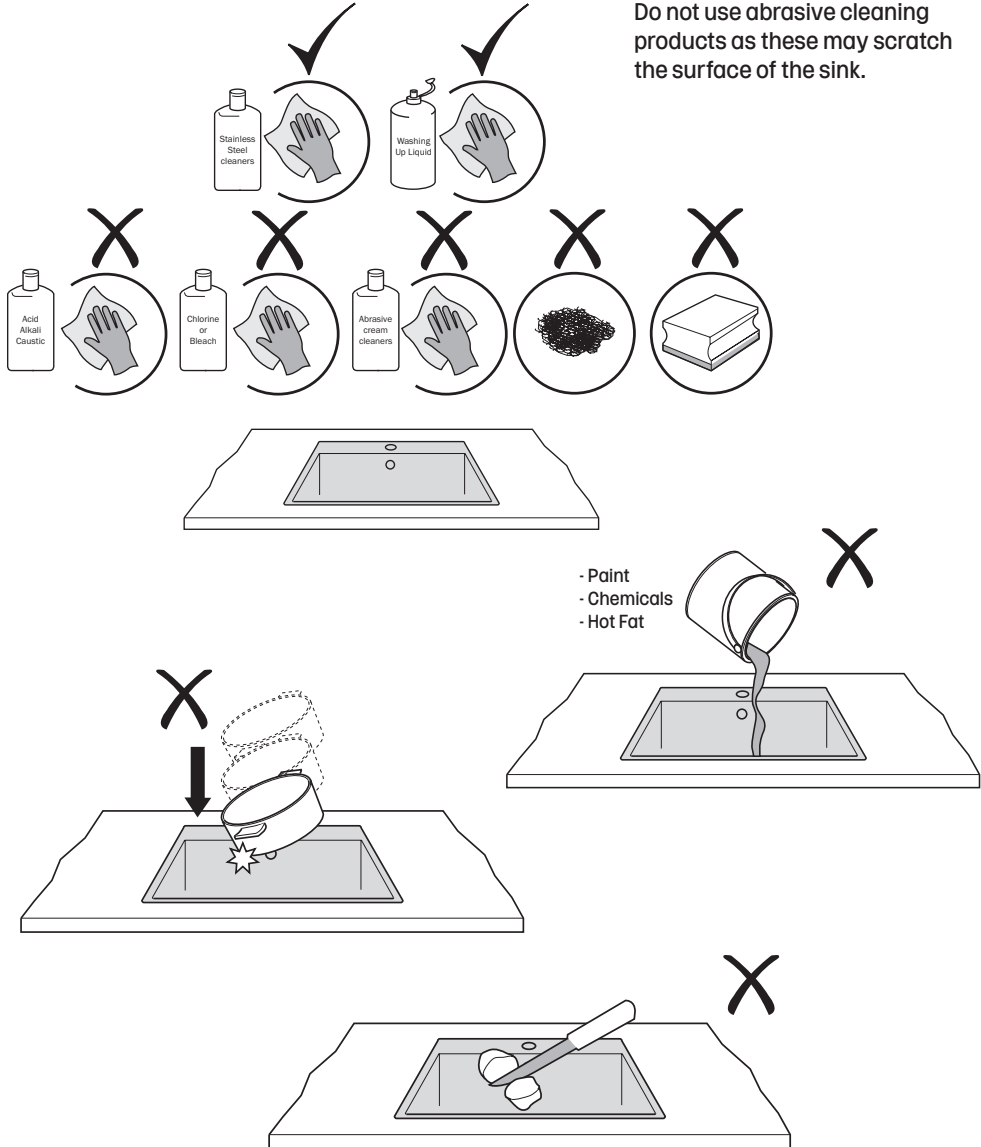


Care & Maintenance

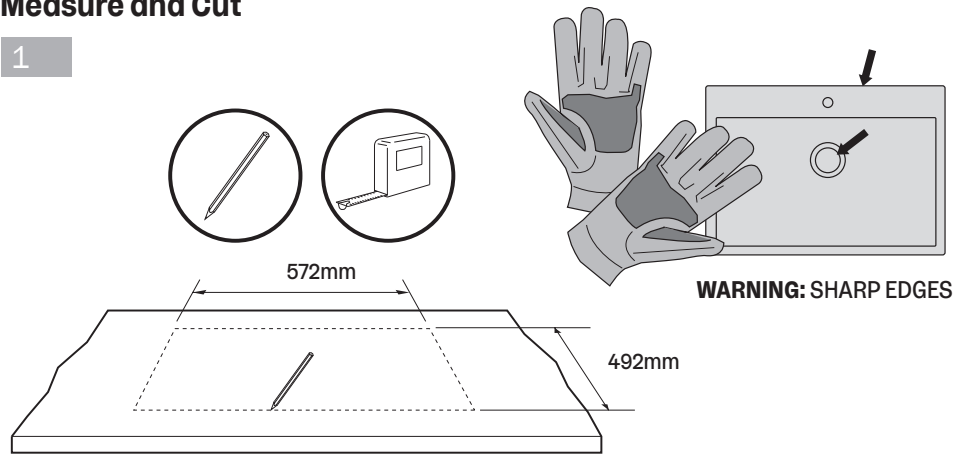
Do not use abrasive cleaning products as these may scratch the surface of the sink.



# Installation

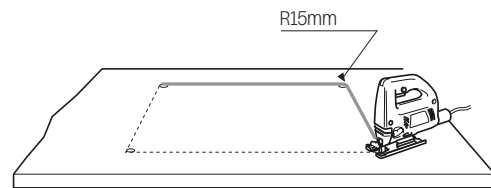
## Measure and Cut

1



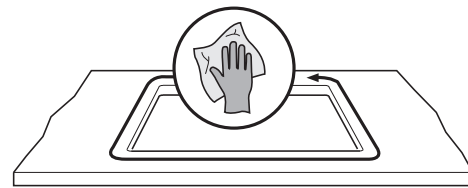
2

Drill a hole in each corner, then cut out the sink aperture.



3

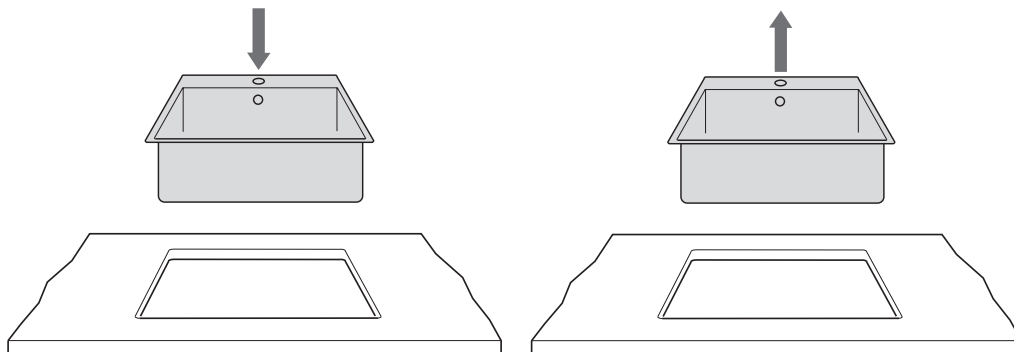
Wipe around the edge to remove dust.



## Fitting

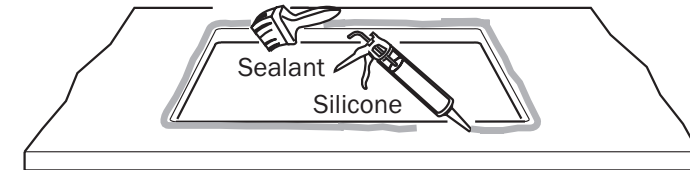
4

Dry fit the sink to ensure correct fit.



5

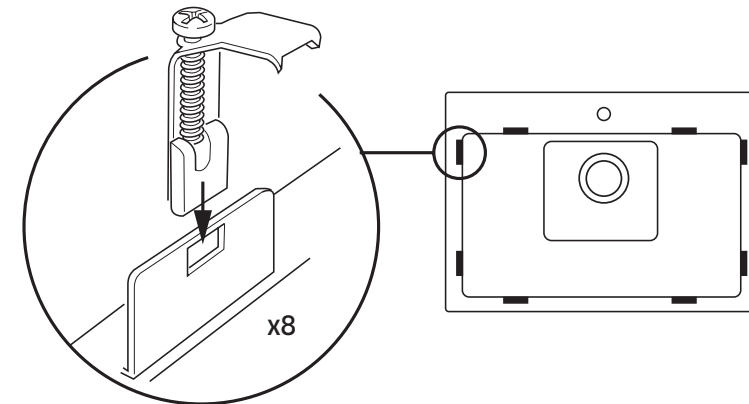
Seal cut edges of the worktop and apply a silicone bead around the edge.



6

Locate clips to the sink. **There are two types of clips supplied depending on the thickness of the worktop.**

**Note:** Recommended clip positions shown. Clips must be fitted at the back of the sink, each side of the tap hole.



7

Fit the sink and tighten clips.

