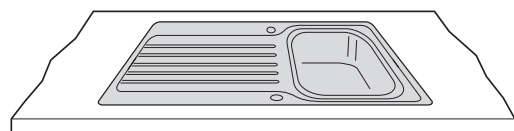
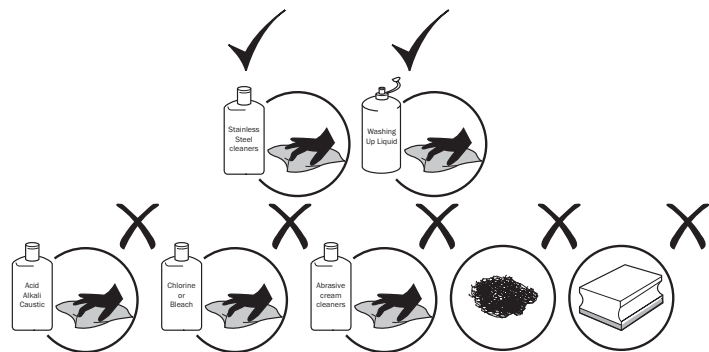


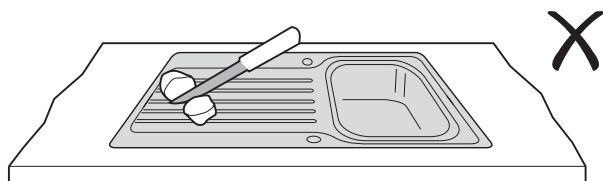
# Care and Maintenance

Inset Stainless Steel  
Single Bowl Sink  
1.5 Bowl Sink  
Double Bowl Sink

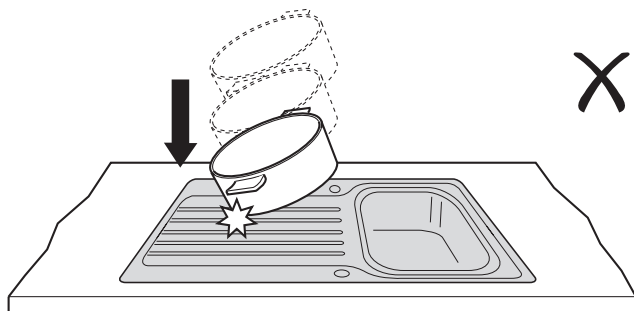
SNK5260, SNK5242, SNK5280  
SNK5265, SNK5247, SNK5285  
SNK5700



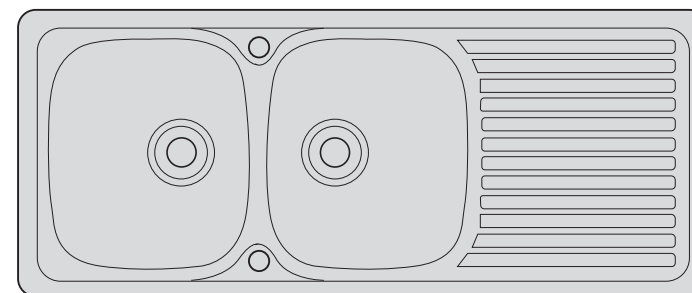
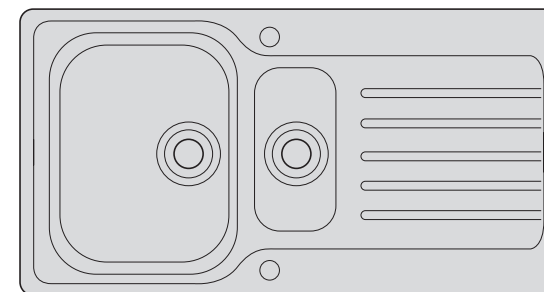
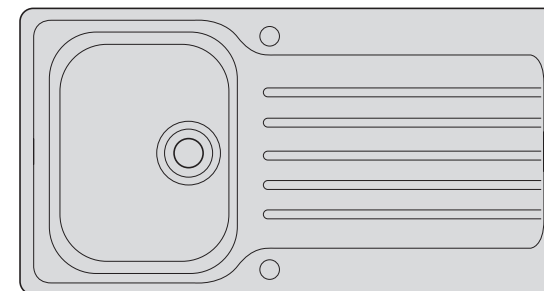
Do not use abrasive cleaning products as these may scratch the surface of the sink



Do not cut on or drag objects across the sink

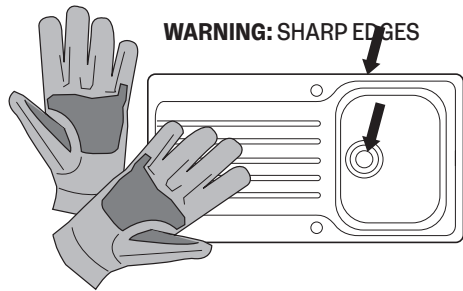


Do not drop heavy objects onto the sink

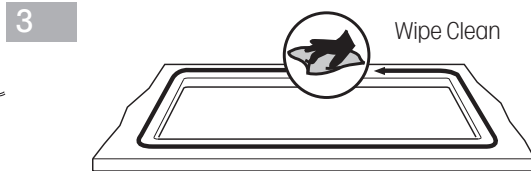
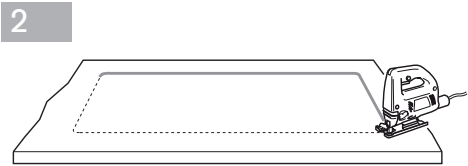
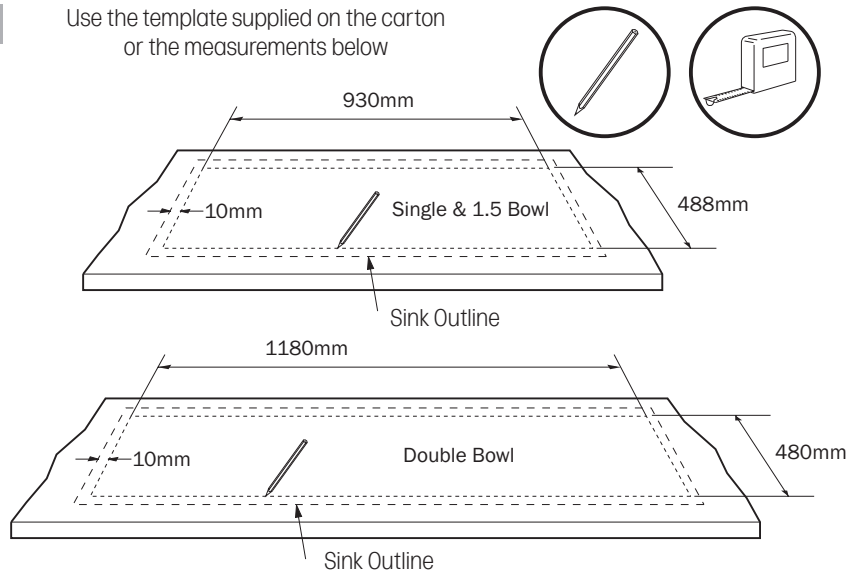


# Installation

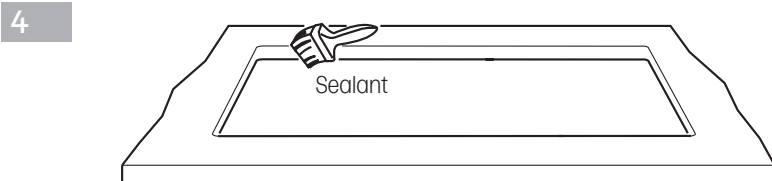
## Measure and Cut



**1** Use the template supplied on the carton or the measurements below

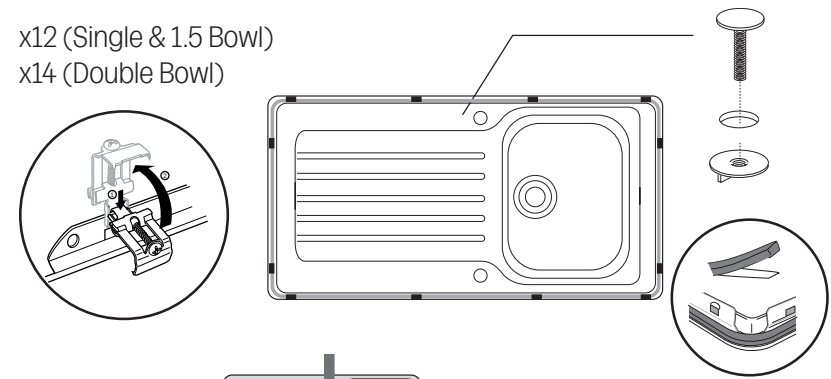


## Fitting

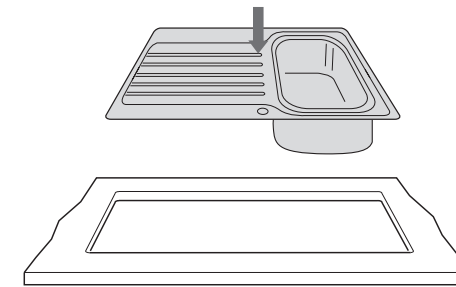


**5**

x12 (Single & 1.5 Bowl)  
x14 (Double Bowl)



**6**

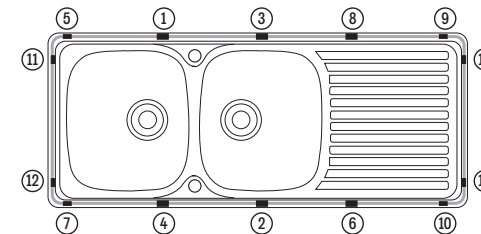
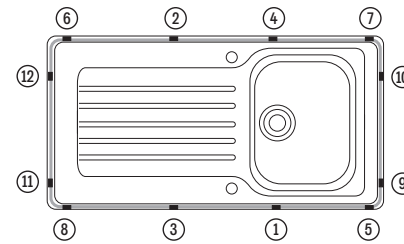


LH drainer fitting shown

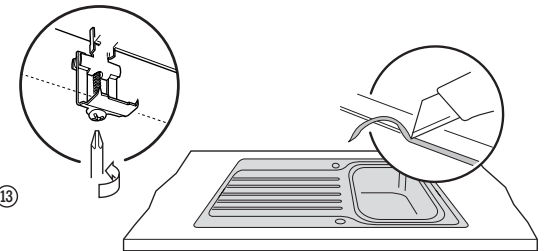
**7**

Clip locations and order of tightening with sink in position

Single & 1.5 Bowl



Double Bowl



**Note:** Remove excess foam strip, taking care not to damage the worktop.