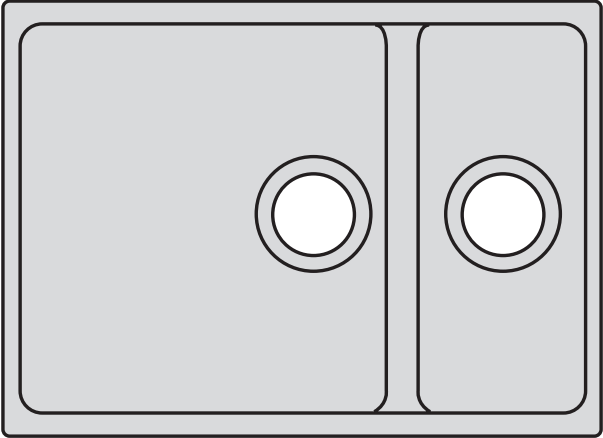


Care & Maintenance

The diagrams illustrate various care and maintenance scenarios for the sink:

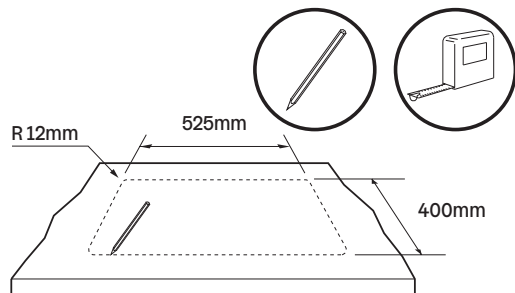
- Watermarks**: A hand is shown wiping a wet surface with a cloth, marked with a checkmark.
- Washing up Liquid**: A bottle of liquid is shown being poured into the sink, marked with a checkmark.
- Surface Scratches Paraffin**: A bottle of paraffin is shown with a checkmark, indicating its use for surface protection.
- Prohibited actions**: Two circular icons with 'X' marks show a pile of sand and a stack of sponges, indicating that abrasive materials should not be used.
- Prohibited liquids**: A list includes "- Paint", "- Chemicals", and "- Hot Fat". A diagram shows a bucket pouring liquid into the sink, marked with a large 'X'.
- Temperature limit**: A diagram shows a frying pan on the sink with the text "180°C max" and a checkmark, indicating the maximum safe temperature.
- Prohibited sharp objects**: A diagram shows a knife cutting into the sink surface, marked with a large 'X'.
- Disinfection**: A diagram shows a box of disinfectant being poured into the sink. A circular icon indicates a "2hrs (min)" contact time. The water temperature is labeled as "60°C".



Installation

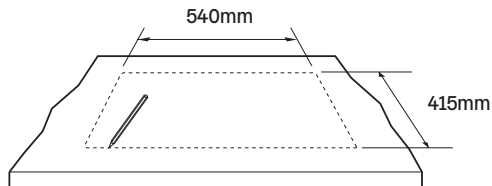
Measure and Cut

1 UNDERMOUNT

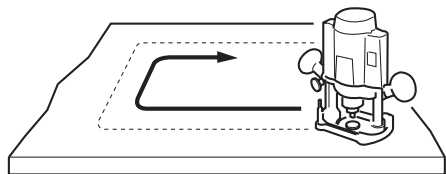


Note: Measure cut dimensions against the sink to ensure correct. Undermount sink dimensions can change, depending on the overhang preference.

INSET

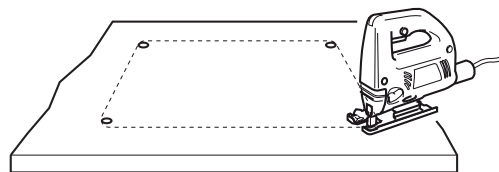


2 UNDERMOUNT



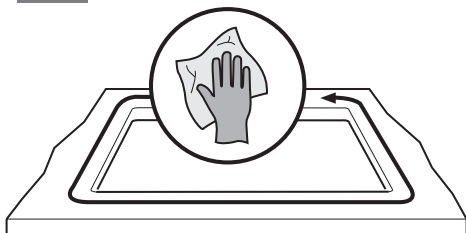
For undermount application, use a router to achieve a smooth finish around the cut-out area. Sand to a final finish.

INSET

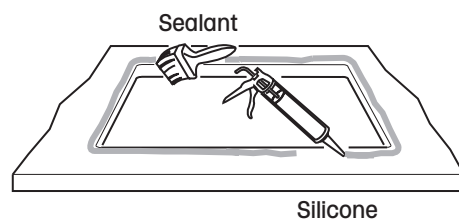


Drill four holes in the corner of the cut line before using the jigsaw.

3



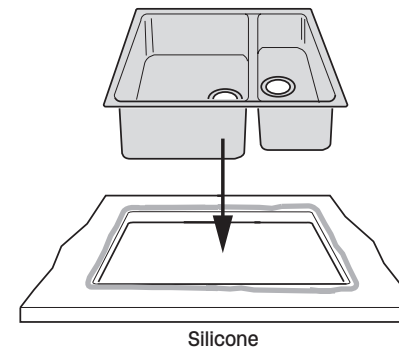
4 INSET



Fitting

5 INSET

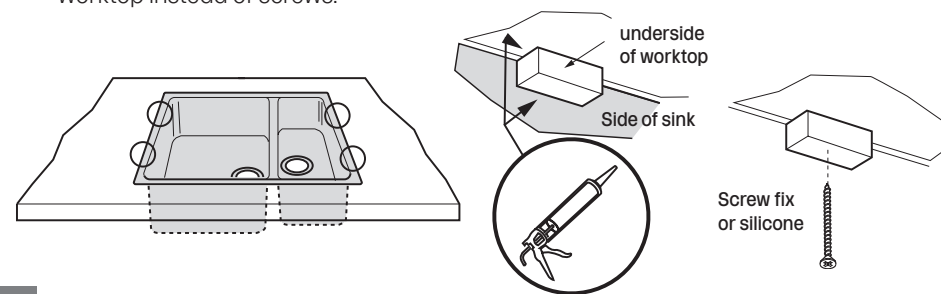
Fit the sink onto the silicone and push firmly to secure. Wipe away any excess silicone.



Alternative fixing

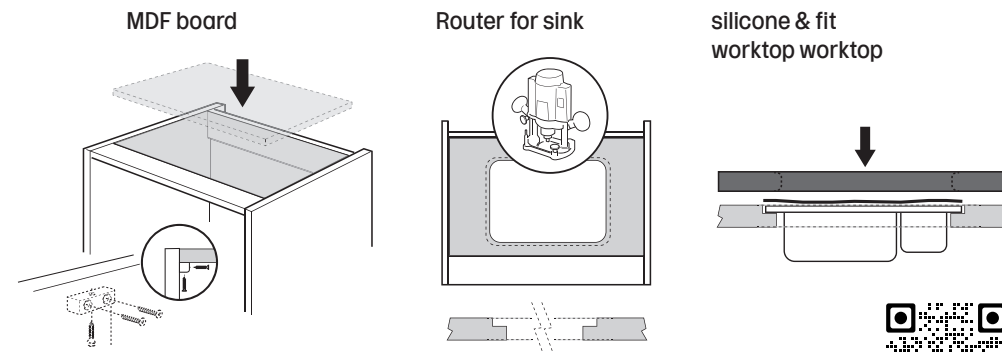
Secure small wooden blocks to the side of the sink using hot melt glue or instant grab adhesive. Screw up into the underside of the worktop.

Note: For solid surface worktops, use silicone to secure the wooden blocks to the worktop instead of screws.



6 UNDERMOUNT

Undermount application should use a 'cradle system' to hold the sink in position, see below. **Note:** Brackets and screws have been provided for securing to timber worktops as an alternative undermount fixing method.



Note: Sink cradle fixing can be found in the kitchen installation manual. (scan QR code for information)

