

SNK 8173/74/75/76/77/78/79/80

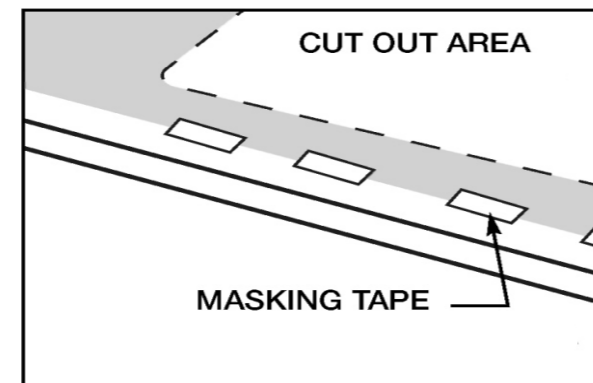
SNK 8170/71/72

SNK 8188/89/90/91

SNK 8184/85/86/87

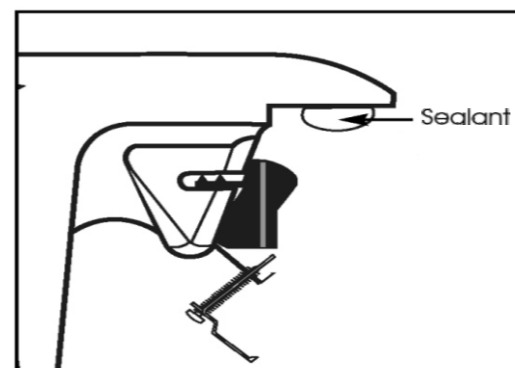
SNK 8181/82/83

Inset Kitchen Sink Installation Instructions and Templates

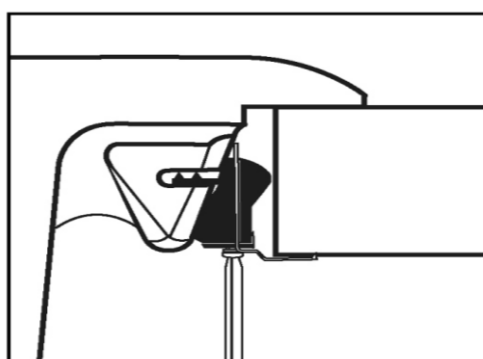
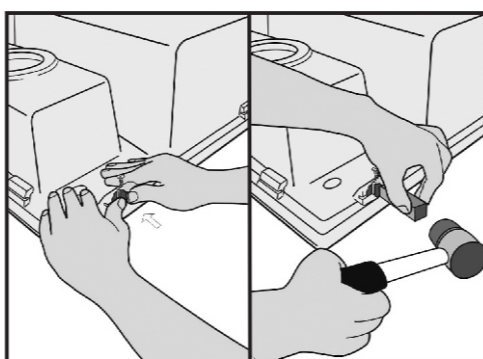


1. Identify the correct printed template outline for the sink you want to install. Carefully cut along the outline and discard the inner section of the template. Place the paper template on to the upper surface of your work top and position it carefully where you want the sink to fit. When positioning the template take note of cabinet panels and rails below as well as ensuring there will be enough access for tap connections. Fix the template in place with masking tape and carefully draw around the inside of the template with a pencil. Remove and discard the template.

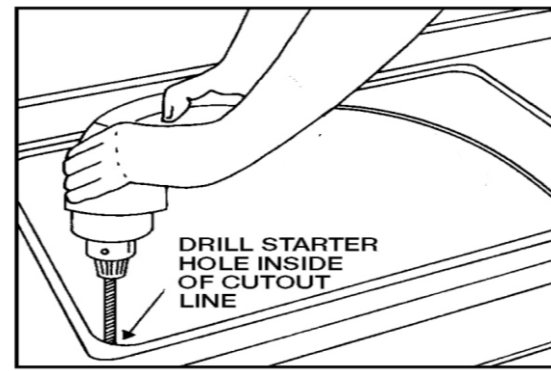
Or
Invert sink and position onto the counter-top. Locate sink front to rear and right to left so the bowl will not interfere with the cabinets below. Trace a pencil line around the outside edge of the sink and remove the sink from the counter top. Measure in 8 - 10mm from the initial sink outline and draw a second line inside the first.



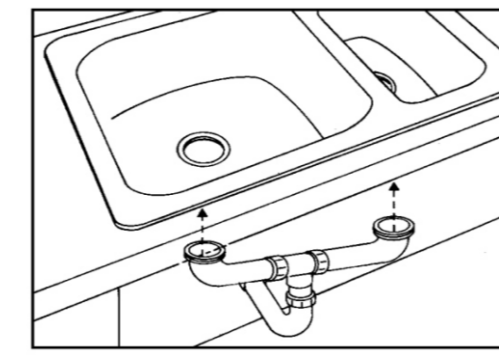
5. Apply a bead of "Silicone sealant" (not included) to the underside of the sink flange. For final fit, make sure each sink clip is pulled back as illustrated. Position the sink into the work top opening.



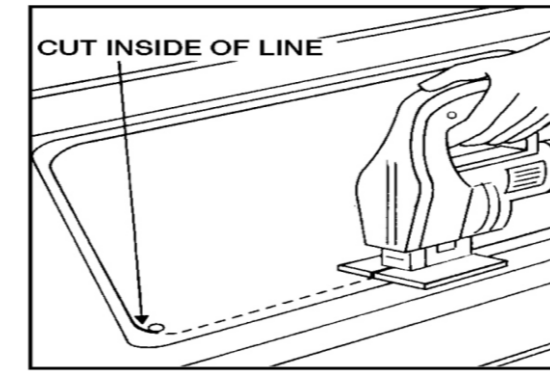
6. Secure the sink by pivoting the sink clips into the position illustrated and tighten screws in the front, then tighten rear and side screws.



2. Drill starter hole inside of cutout line.



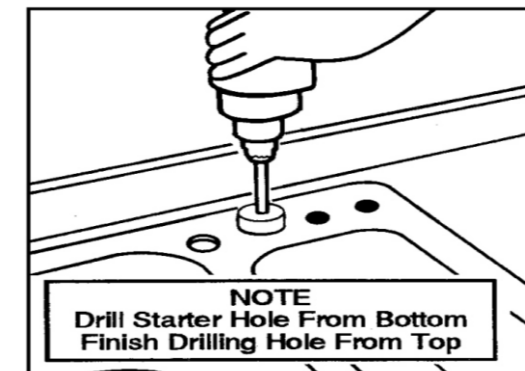
7. Make water and waste pipe connections as required.



3. Using a "Jigsaw", cut inside of cutout line. Trial fit sink to check proper fit.



8. Apply a uniform bead of silicone onto the underside of the rim of the sink, 1/4 inch from the outer edges of the rim.



4. Identify which pre marked tap hole(s) you will require. Using a hole saw, drill out the tap hole part way from the underside of the sink. Finish drilling the hole from the upper surface of the sink to ensure a clean hole. It may be necessary to cool the tip of the drill with water to prevent burning. For this reason we recommend the use of a rechargeable drill. Take special care if using a mains electric drill around water. Attach the tap, waste and overflow (where required) to the sink according to the manufacturer's

Granite Style Sink Care & Cleaning Instructions:

Everyday Cleaning:

Wash your sink using warm water, a soft cloth or non-abrasive woven nylon pad and a non-abrasive liquid cleaner or detergent. This can be done as often as the sink is used.

Metallic Abrasions or Heavy Stains:

Wipe the sink using a soft cloth or non-abrasive woven nylon pad and a liquid scouring product. Apply the liquid scouring product sparingly and rub lightly. Repeat as necessary until sink is clean.

Hard Water, Calcium and Lime Deposits:

Wipe with a non-abrasive woven nylon pad and white vinegar. Rinse after 20 minutes.

Do Not Use:

Abrasive cleansers, abrasive scrub pads or alkali cleaners such as ammonia.

Tools Required:

- Ruler/Tape Measure
- Masking Tape
- Kitchen Silicone Sealant
- Hammer
- Drill
- Pencil
- Safety Glasses
- Screwdriver
- 35mm Hole Saw (for cutting tap hole)
- Jigsaw & Suitable Blade (if work top cutout is required)

SINK CUTOUT MEASUREMENTS

Model	Length	Width
SNK8170/71/72	840mm	480mm
SNK8173/74/75/76/77/78/79/80	980mm	480mm
SNK8184/85/86/87	545mm	444mm
SNK8181/82/83	420mm	444mm
SNK8188/89/90/91	520mm	444mm

