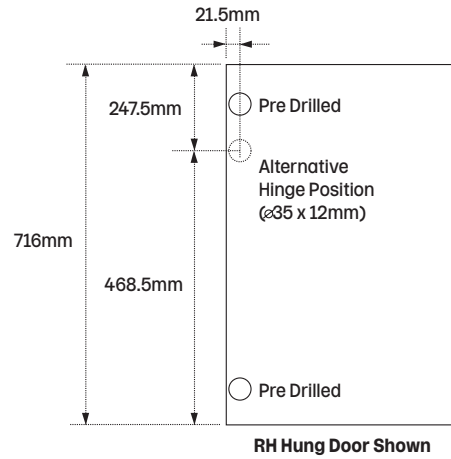
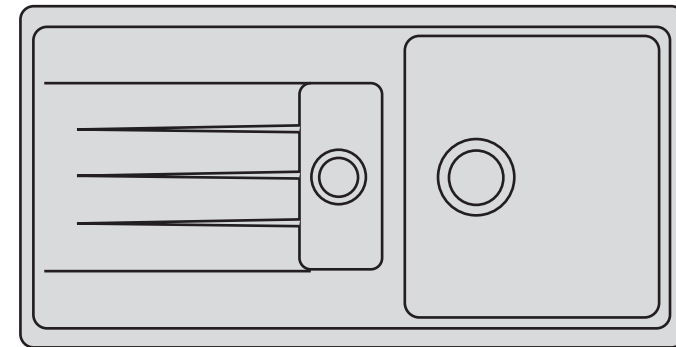
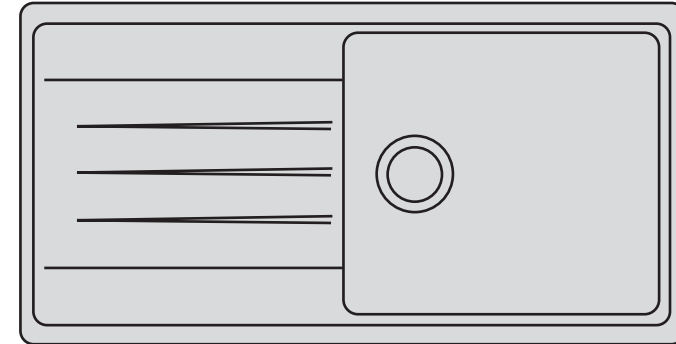
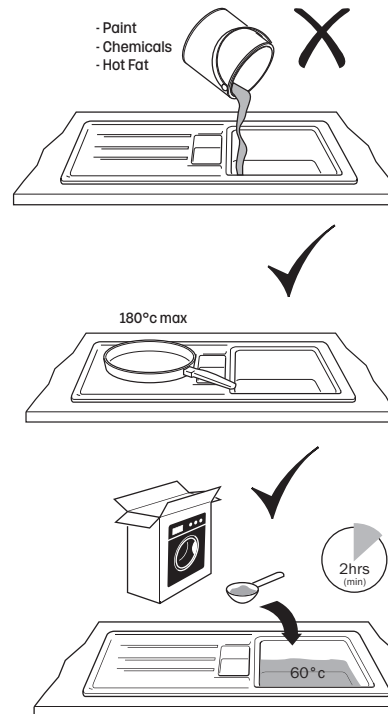
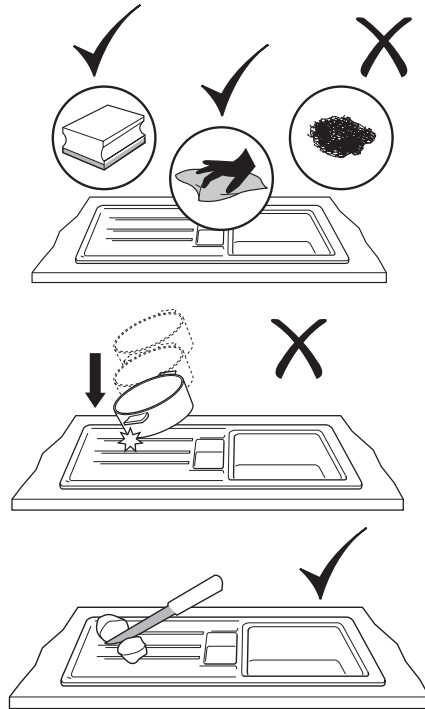


### Cabinet Door Fitting

When fitting a FH Door (716mm) to the housing cabinet an alternative top hinge position may need to be drilled (see right).



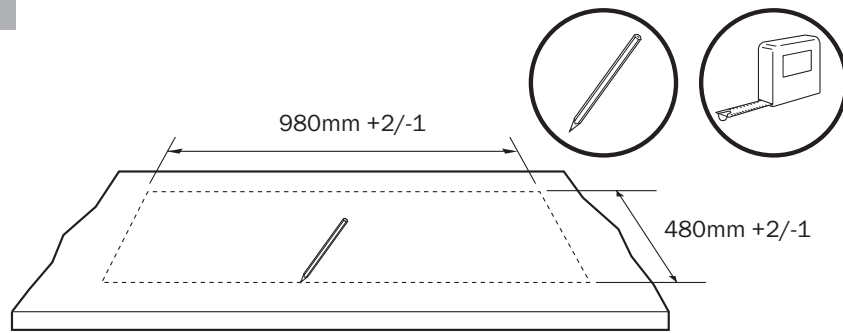
### Care & Maintenance



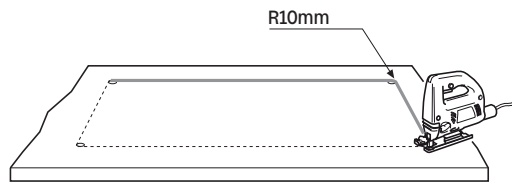
# Installation

## Measure and Cut

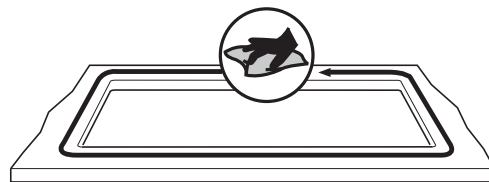
1



2

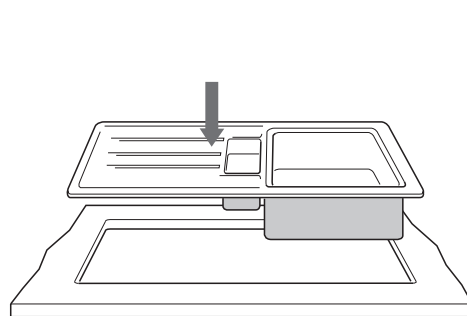


3

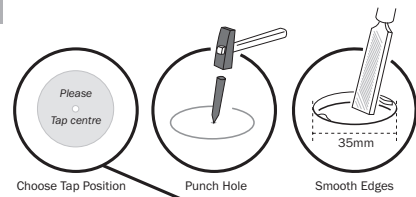


## Fitting

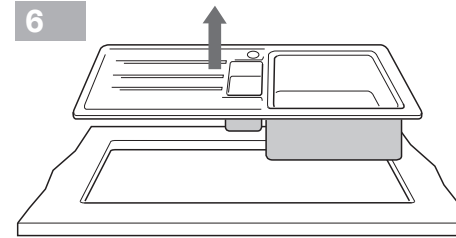
4



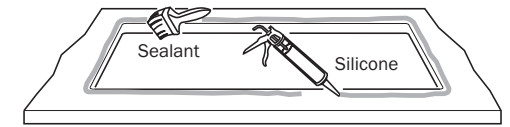
5



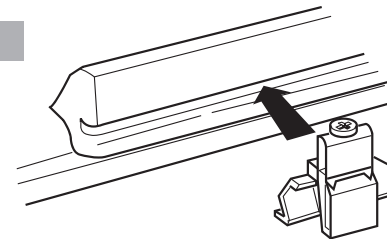
6



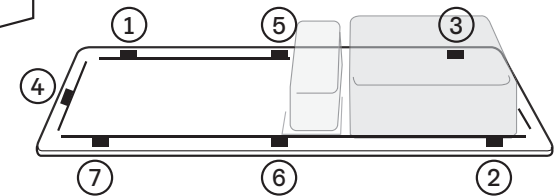
7



8



Slot clips into the groove.  
Guide to order of clip tightening  
shown below.



9

