

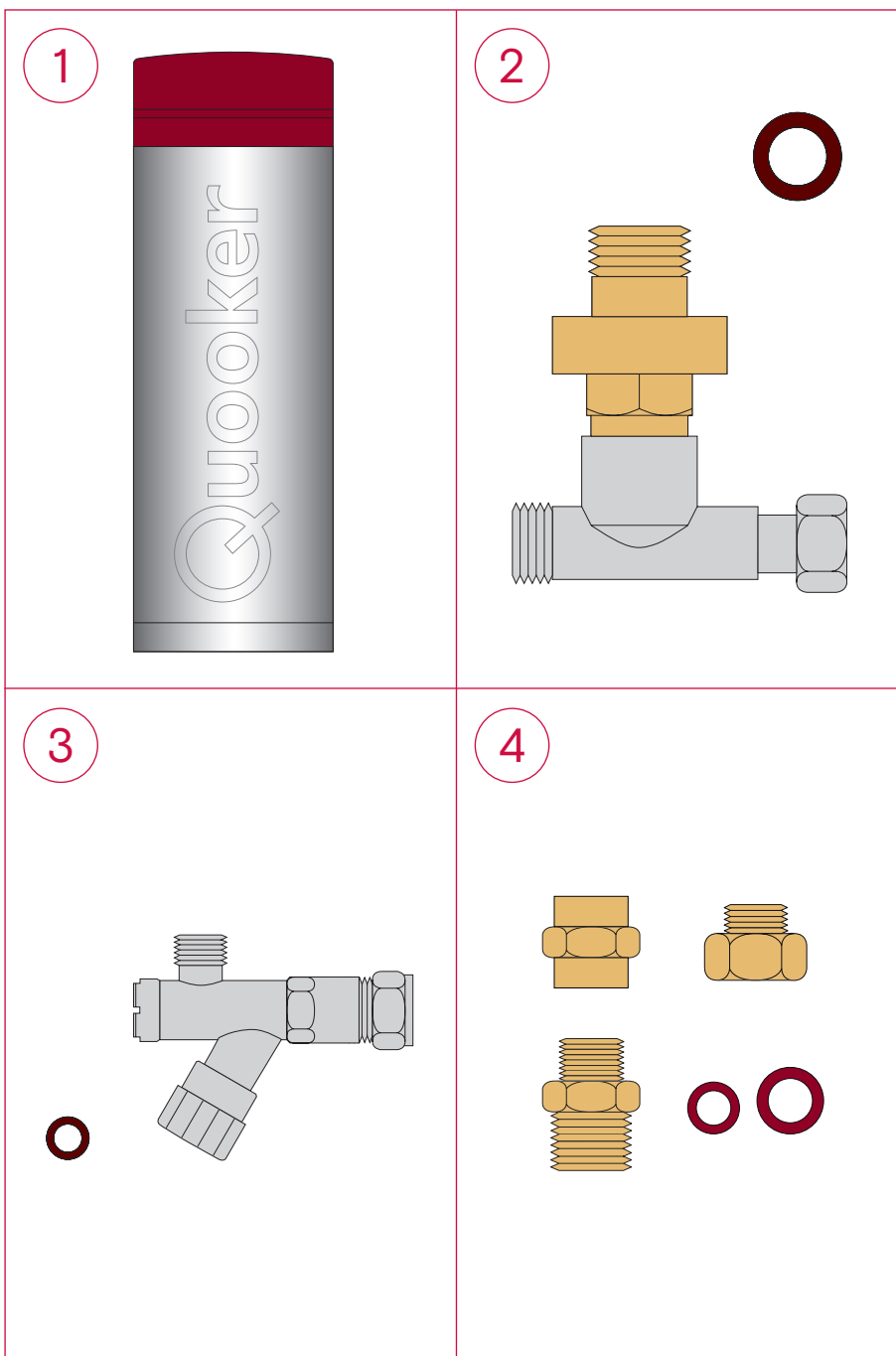
## Additional instruction guide PRO3

### Please note:

Your installation may look different from the one shown in this guide. This instruction replaces the “Contents of the pack” page and part C of the Installation guide if you have copper pipes.

### Contents of the pack

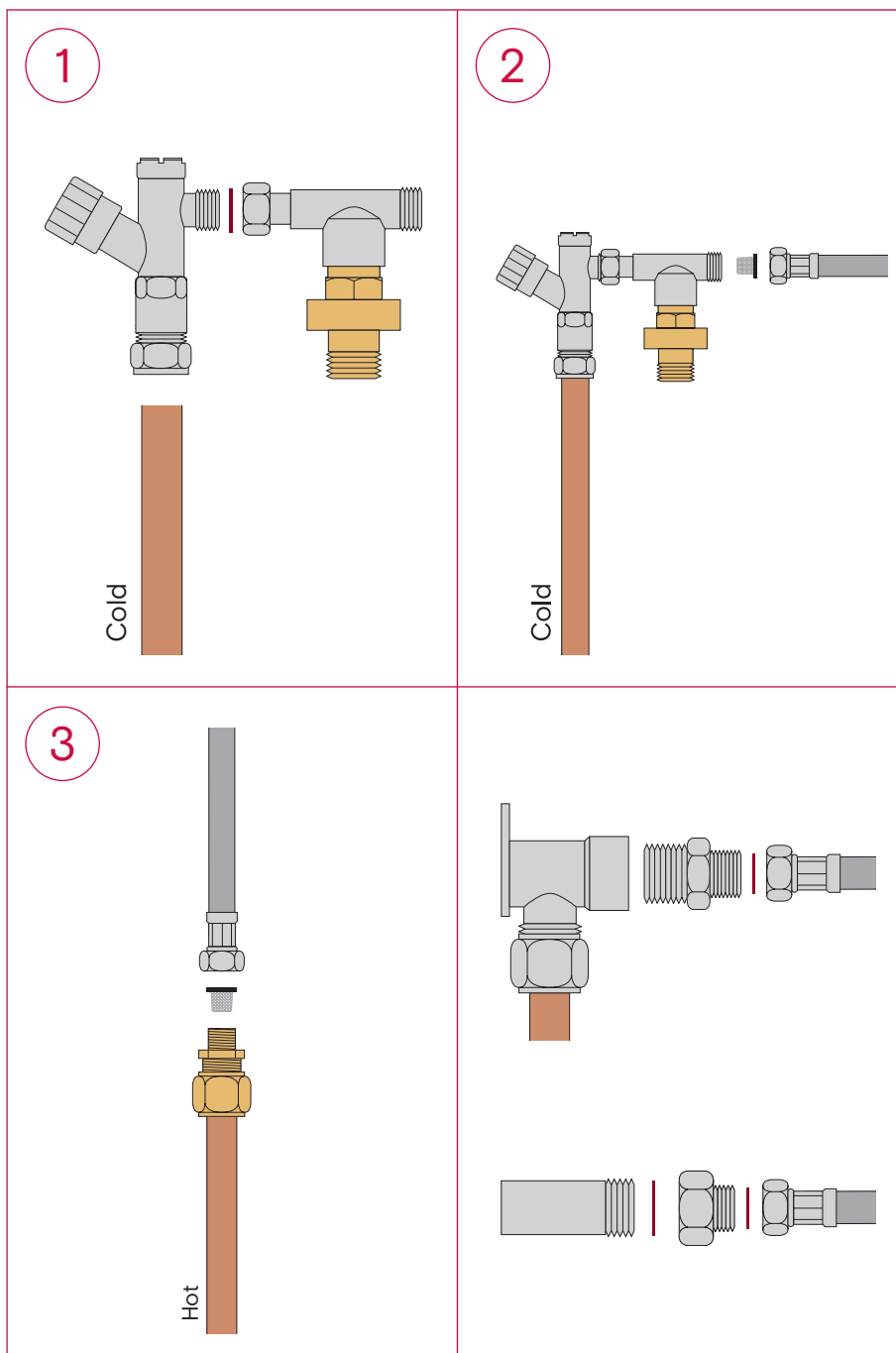
1. PRO3 tank
2. Inlet reducing valve with fibre washer
3. Isolation valve with filter and fibre washer
4. Inlet couplings and fibre washers



# C

## Connecting water

- The Quooker operates under mains water pressure and must always be fitted to the water pipe with the supplied inlet valve.
- The Nordic single tap, the Fusion tap or the Flex tap must be installed according to the locally applicable regulations.



### 1. Connect inlet valve

Close the main shut-off valve. Fit the supplied isolation valve. Connect the inlet valve to the isolation valve with the fibre washer.

### 2. Connect cold water hose

Connect the cold water hose with the hose screen to the inlet valve.

### 3. Connect hot water hose

Connect the hot water hose with the hose screen to the mains.

### If necessary

If only a G $\frac{1}{2}$ " connection is present, use one of the G $\frac{1}{2}$ " couplings with the supplied fibre washers.