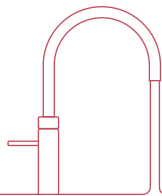


# Installation guide PRO3

Read this guide first before installing



**Quooker®**

## Introduction

### **The operation of the Quooker PRO3**

The Quooker system consists of a vacuum-insulated tank, which is connected to the cold water supply under the sink and to the Nordic single tap, the Fusion tap or the Flex tap. Both boiling water and mixer water can be dispensed from the Fusion and Flex tap.

Inside the tank the water is heated electrically to approx. 108°C and is kept at this temperature. The Quooker PRO3 has a capacity of 3 litres. Before water is dispensed, it is purified by the HiTAC® water filter.

The Nordic single tap, the Fusion tap and the Flex tap are fitted with a childproof double push-and-turn handle, which is clearly recognisable by its textured ring. The Nordic single tap is height adjustable to guarantee safe use. Both the Nordic single tap, the Fusion tap and the Flex tap are well insulated.

Despite all the safety features incorporated in the product, anyone using the Quooker system must keep in mind the risks of using boiling water in general. Incorrect use can lead to injury. Therefore, always read the manual carefully before use.

### **Installation, maintenance and warranty**

Installing the Quooker requires connections to the mains water supply and the electrical system. The Quooker is supplied with a handy connection kit (including the required Quooker inlet valve) for simple installation. For optimally purified Quooker boiling water, we recommend changing the HiTAC® filter cartridge every 3 - 5 years. If necessary, the tank can be descaled. In areas with hard water this should be performed more regularly.

You must not connect the Quooker to a reverse osmosis system or to a water softener that reduces the pH value.

The warranty period is two years, according to our General Terms of Business.

## **Users**

The Quooker tap can be used by children above the age of eight and people with diminished physical, sensory or intellectual abilities provided they are supervised or have been instructed on the safe use of the device. Inform people who are unfamiliar with the Quooker system about safe use and the possible dangers associated with the use of the boiling-water tap. Please note: incorrect use may result in injury. Prevent children from using the tap as a toy and do not allow children to clean or maintain the product unsupervised. Keep the plug out of reach of small children.

The Quooker system is suitable for household use and commercial use such as in staff kitchens at shops, offices, farms and other business premises and for use by visitors at hotels, motels, bed & breakfasts and other residential accommodation.

Always follow the installation method described in the manual. Avoid spilling water on the plug. If defective, the power plug may only be replaced by a qualified technician. Make sure you let the tank cool off adequately before disconnecting it. The fastest way to do this is as follows: turn off the Quooker, but leave the plug in the socket. Then open the boiling-water tap and turn it off once the water runs cold. You can find a more detailed explanation for disconnecting the tank in chapter E.

Tips for use and the installation manual can also be found on our website: [quooker.uk](http://quooker.uk)

## Declaration of conformity

Quooker Nederland B.V., Staalstraat 13, 2984 AJ Ridderkerk (The Netherlands) herewith declares, on our own responsibility, that the product Quooker PRO3 is in accordance with the conditions of the following directives:

- 2014/35/EU Low Voltage Directive (LVD)
- 2011/65/EU Restriction of Hazardous Substances (RoHS) Directive
- 2014/30/EU Electromagnetic Compatibility Directive (EMCD)
- 2009/125/EC Ecodesign energy-related products Directive
- 2014/68/EU Pressure Equipment Directive

and complies with the following standards:

General product safety household and similar electrical appliances

EN 60335-1:2012 + AC:2014 + A11:2014

EN 60335-2-15:2002 + AC:2005 + A1:2005 + AC:2006 + A2:2008 + A11:2012 + A11:2012/AC:2013  
+ EN 60335-2-15:2016

EN 60335-2-21:2003 + A1:2005 + AC:2007 + A2:2008 + AC:2010

Public exposure to electromagnetic fields (EMF)

EN 62233:2008 + AC:2008

Electromagnetic compatibility (EMC)

EN 55014-1:2017 + EN 55014-1:2006 + A1:2009 + A2:2011

EN 55014-2:2015 + EN 55014-2:1997 + AC:1997 + A1:2001 + A2:2008

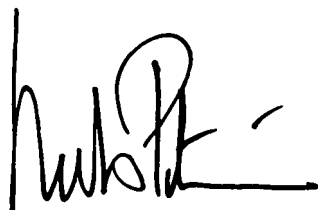
EN 61000-3-2:2014

EN 61000-3-3:2013

Restriction of hazardous substances

EN 50581:2012

The Netherlands, Ridderkerk, June 2021

A handwritten signature in black ink, appearing to read 'Niels Peteri', with a horizontal line extending to the right.

Niels Peteri, Director

## Technical specifications

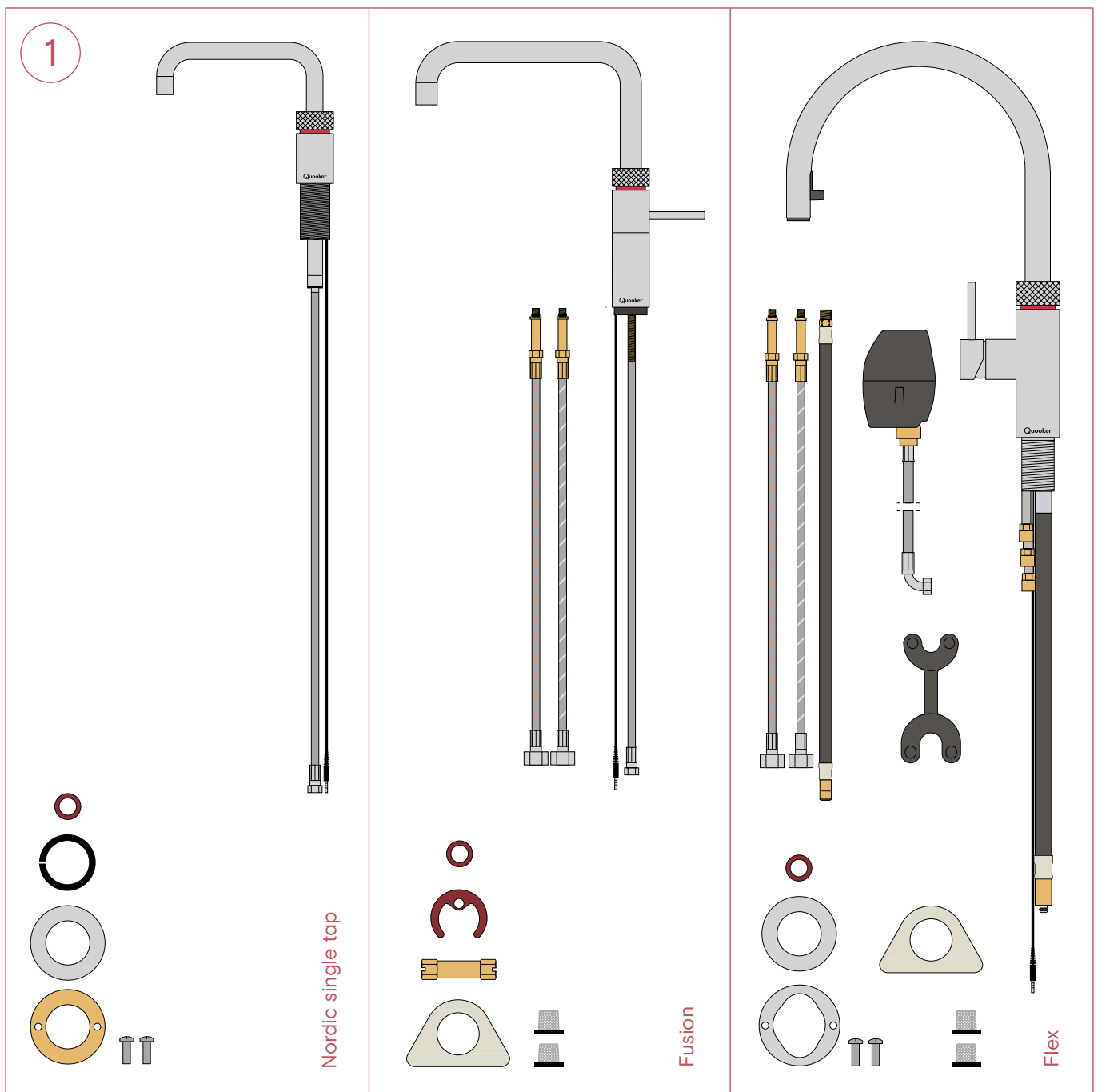
<b>Tank</b>	<b>PRO3</b>
Voltage	230 V
Wattage	1600 W
Capacity	3 litres
Heating-up time*	10 minutes
Standby power consumption	10 W
Tank height	46,7 cm
Total tank height requirement	54,7 cm
Tank diameter	15,3 cm
Min. mains pressure	200 kPa (2 bar)
Max. mains pressure	600 kPa (6 bar)
Max. working pressure	800 kPa (8 bar)
Mounting bracket optional	yes
Safety features	- maximum temperature fuse - 800 kPa (8 Bar) overpressure protection, intergrated into solenoid valve
Water shut-off valve	electric
HiTAC® water filter	High Temperature Activated Carbon

\*These are average values.

<b>Tap</b>	<b>Nordic single tap</b>	<b>Fusion, Flex and mixer tap</b>
Tap hole size	32 mm	35 mm
Recomm. temp. mixing water	-	60°C
Tap base ring available	yes	yes

## Contents of the pack

1. - Nordic single tap, small fibre washer, centring ring, metal washer, threaded ring and two screws  
- or Fusion tap, hoses, small fibre washer, brass fixing plate, fixing nut, white tap support  
(for thin work tops) and two inlet hose screens  
- or Flex tap, hoses, small fibre washer, metal washer, threaded ring with two screws,  
counterweight with boiling water hose, white tap support (for thin work tops),  
two inlet hose screens and quick-release tool.

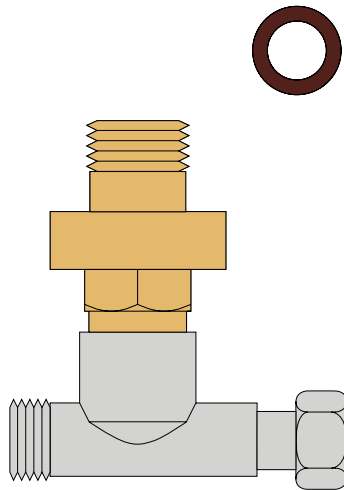


2. PRO3 tank
3. Inlet reducing valve with fibre washer
4. Isolation valve with filter and fibre washer
5. Inlet couplings and fibre washers

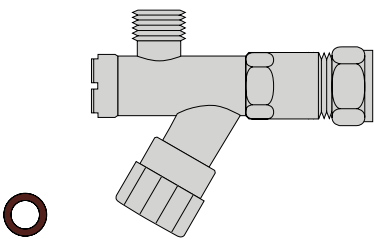
2



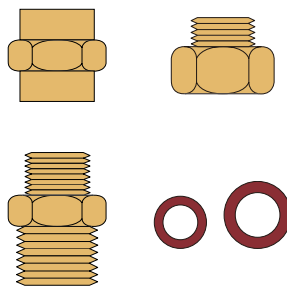
3



4



5



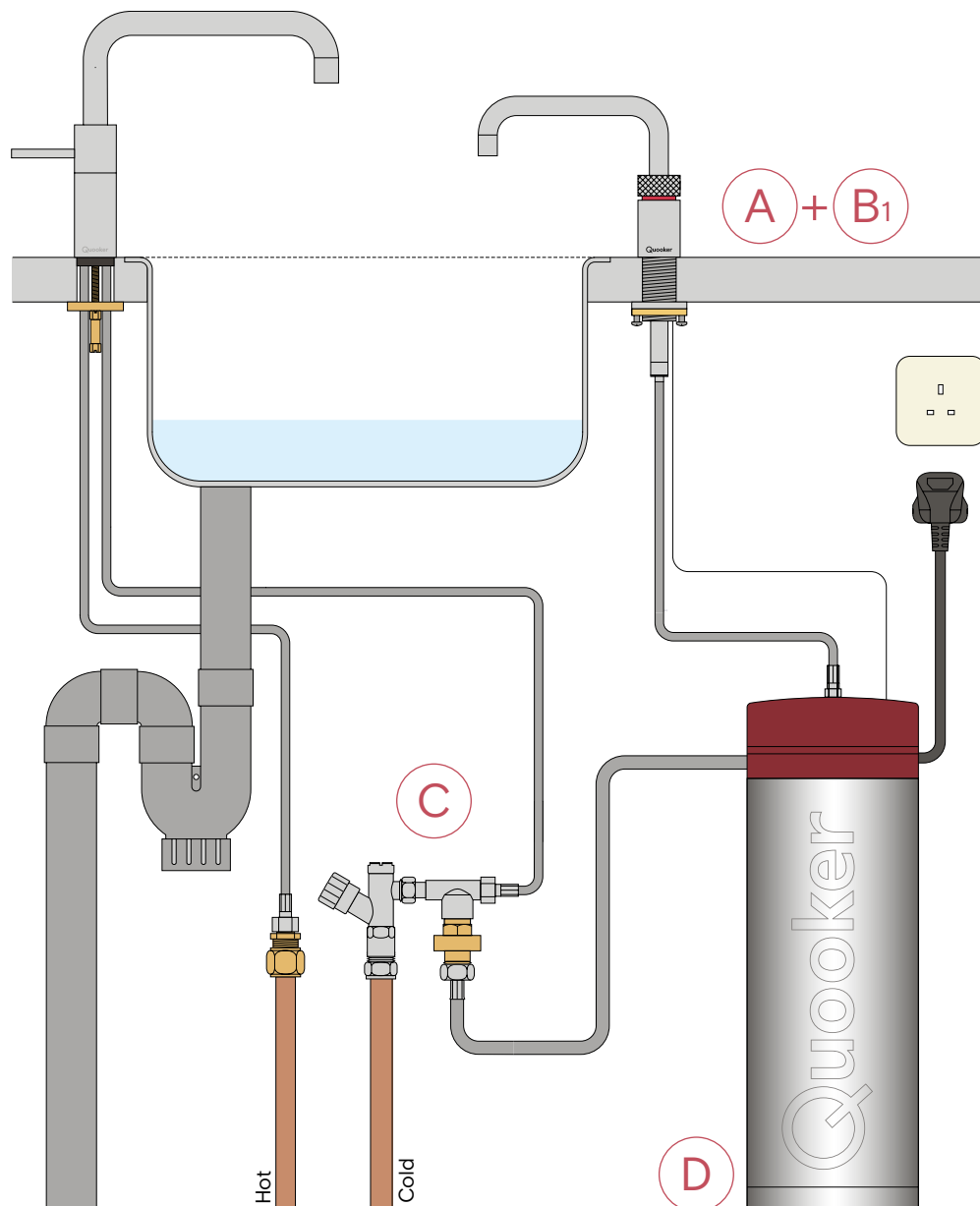
## Overview of Nordic single tap installation

It is recommended that you install the Quooker in the following order:

- A. Drilling hole
- B1. Fitting Nordic single tap
- C. Connecting water
- D. Connecting tank to tap
- E. Disconnecting tank

Note: Bear in mind that the tank, inlet valve and socket must remain easily accessible for servicing.

For an overview of the Fusion tap installation, please refer to the next page and for the Flex tap to the page after that.





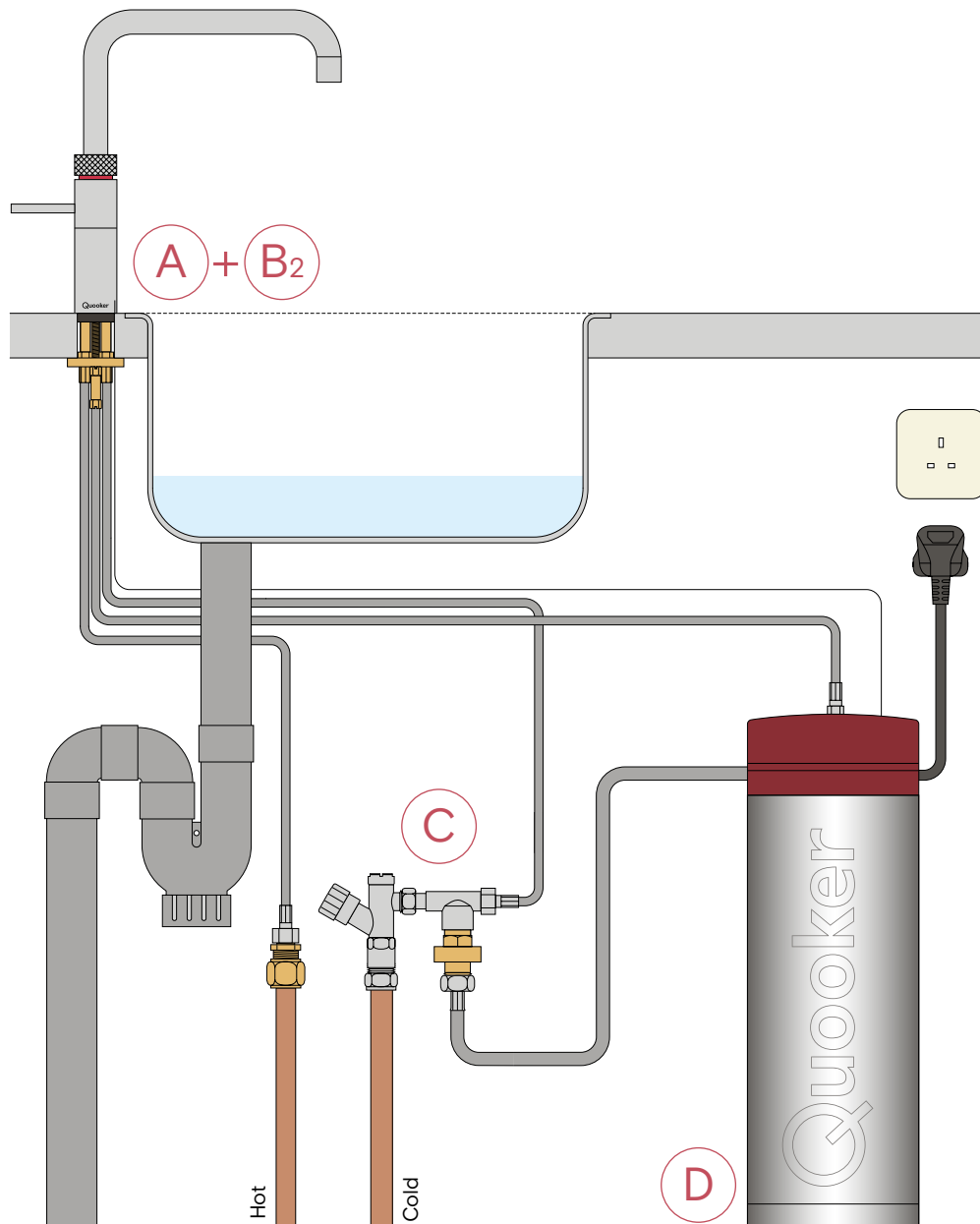
## Overview of Fusion tap installation

It is recommended that you install the Quooker in the following order:

- A. Drilling hole
- B2. Fitting Fusion tap
- C. Connecting water
- D. Connecting tank to tap
- E. Disconnecting tank

Note: Bear in mind that the tank, inlet valve and socket must remain easily accessible for servicing.

For an overview of the Flex tap installation, please refer to the next page.

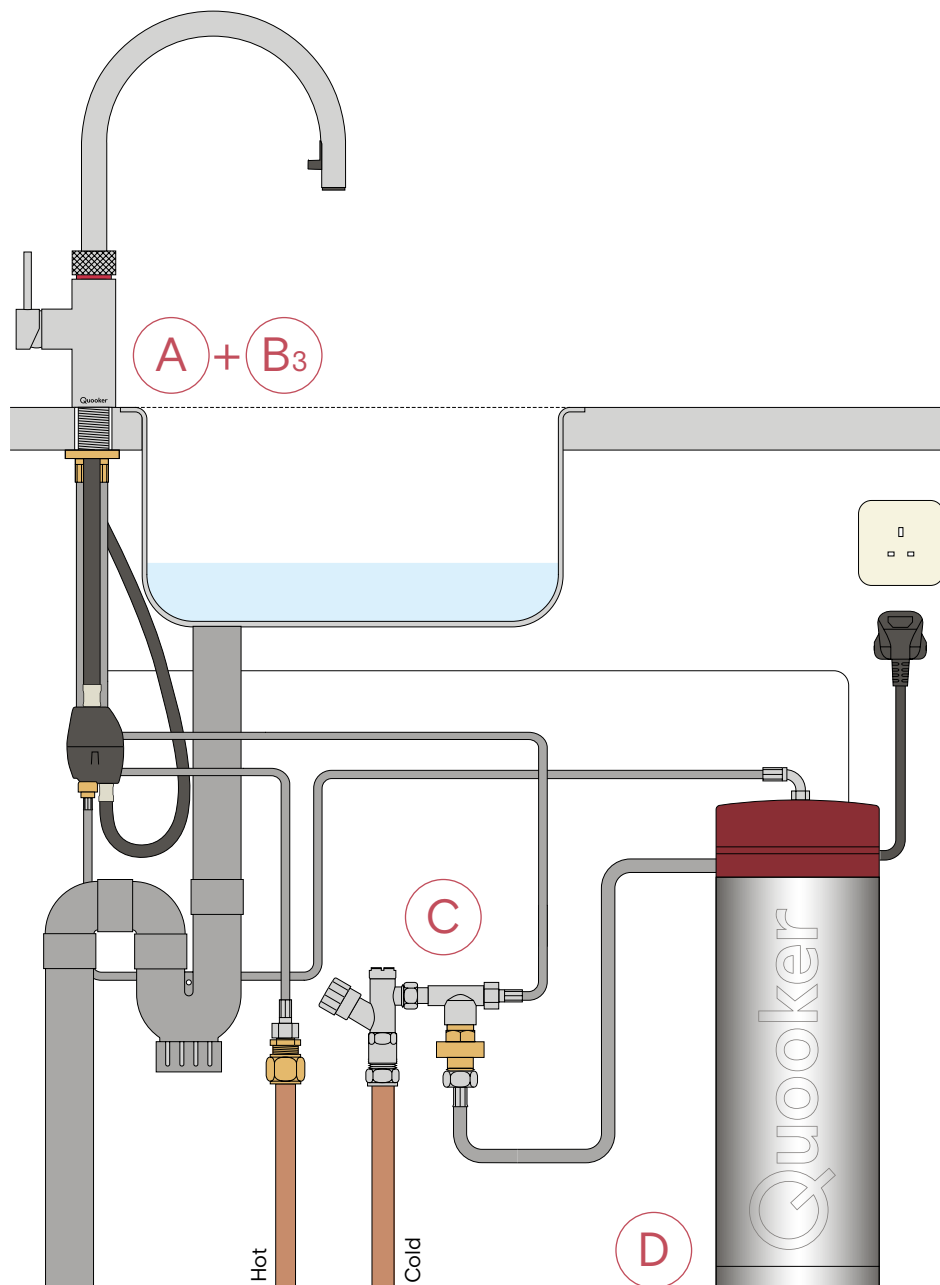


## Overview of Flex tap installation

It is recommended that you install the Quooker in the following order:

- A. Drilling hole
- B3. Fitting Flex tap
- C. Connecting water
- D. Connecting tank to tap
- E. Disconnecting tank

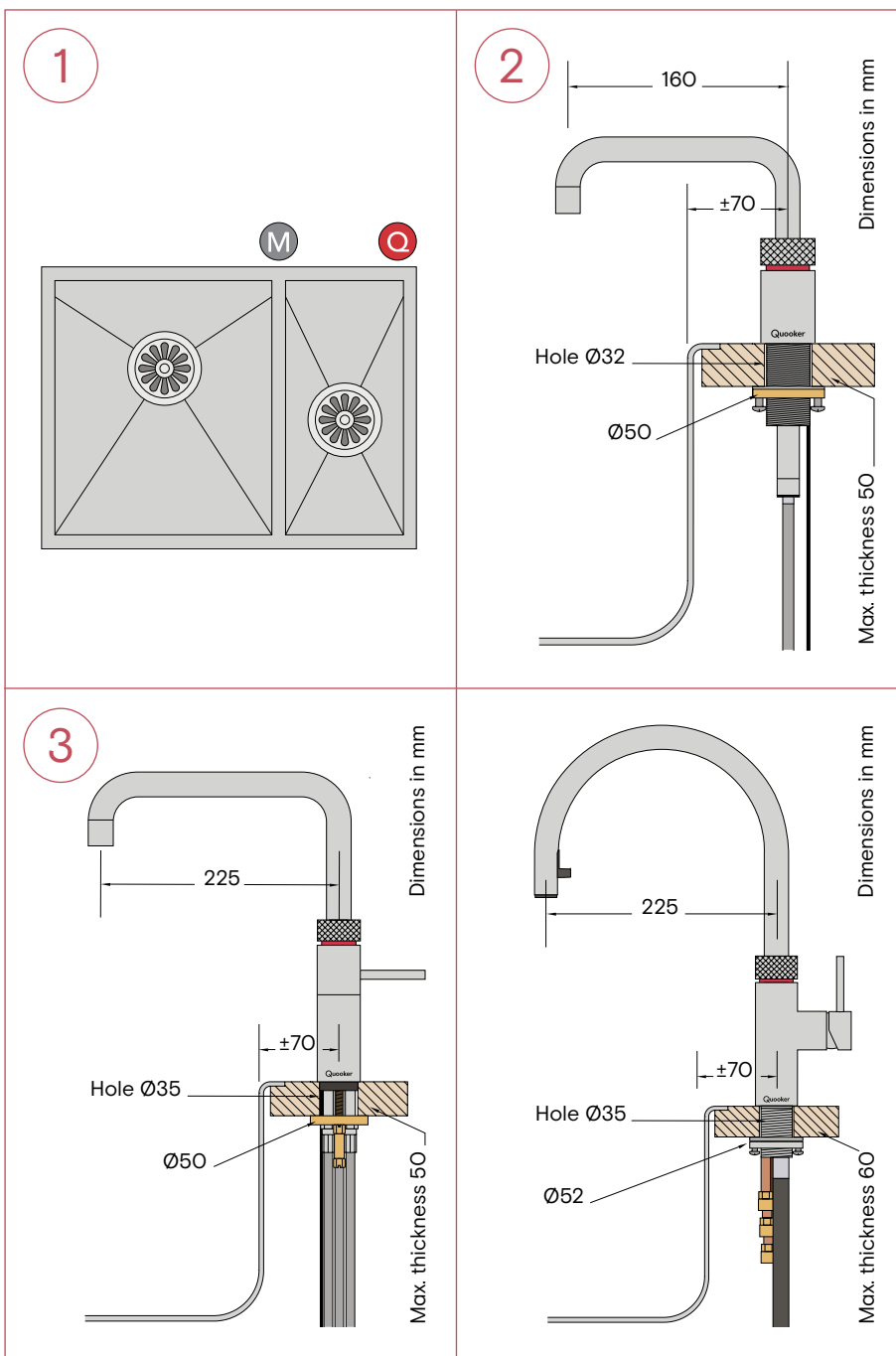
Note: Bear in mind that the tank, inlet valve and socket must remain easily accessible for servicing.



# A

## Drilling hole

- Note: The tap hole for the Nordic single tap should be 32 mm in diameter. The Fusion and Flex tap hole should be 35 mm in diameter.
- The Nordic single tap should ideally be positioned at the corner of the sink to enable use above the sink or the work top.
- Note: It must be possible to move the spout of the Nordic single tap freely up and down. When the spout is in its lowest position it projects ca. 25 cm below the work top. Bear this in mind when fitting the inlet valve, sockets and the like.
- Note: The Flex tap counterweight must be able to move freely. When the hose is not withdrawn it hangs approximately 40 cm below the work surface. Make allowances for this when fitting the inlet valve, power sockets and so forth.



### 1. Select position Nordic single tap

Select a suitable position for the Nordic single tap based on the type of sink and position of the mixer tap.

### 2. Drilling hole for Nordic single tap

Using the correct drill bit, drill a hole of 32 mm through the work top for the Nordic single tap. Note: For the Nordic mixer tap please refer to the separate guide. In the case of a hole of 35 mm or larger, use the centring ring provided.

### 3. Drilling hole for Fusion or Flex tap

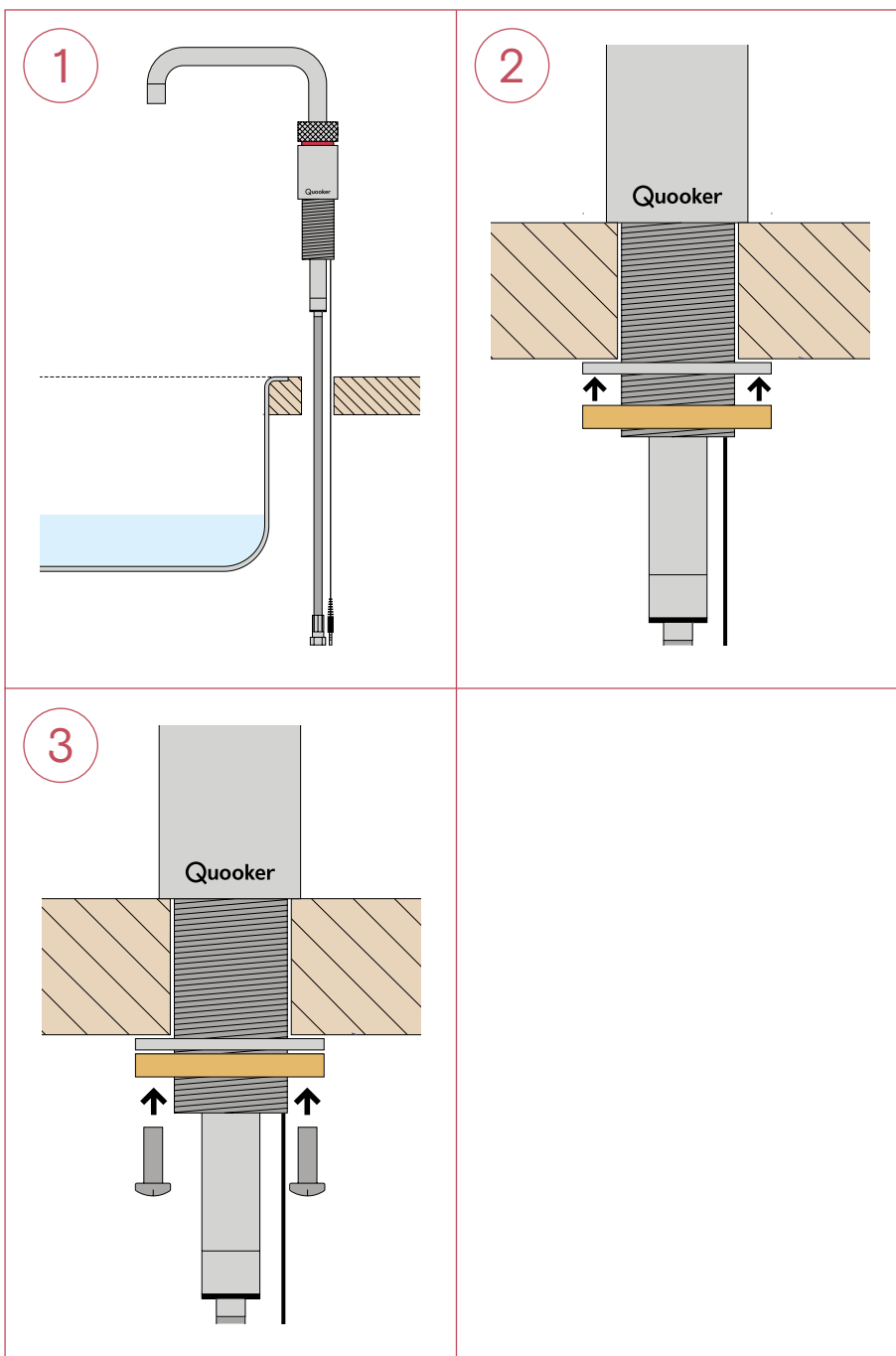
Select a suitable position for the tap. Using the correct drill bit, drill a hole of 35 mm through the work top. When doing this, take into account the range of the tap's spout from the centre of the tap hole.

- Nordic single tap
- Mixer tap

# B1

## Fitting Nordic single tap

- Note: The total length of the hose between the single tap and tank is only 70 cm. The tank must therefore be fitted close to the tap. Extension hoses are available in different lengths but are not normally required.
- Note: The small fibre washers supplied with the tap rings are not required yet at this point. One will be used for connecting the tap and tank hose (see section E), the second one is a spare.



### 1. Tap through work top

When fitting the tap in a 35 mm hole or larger, first attach the black plastic centring ring to the base of the tap to centre the tap in the hole.

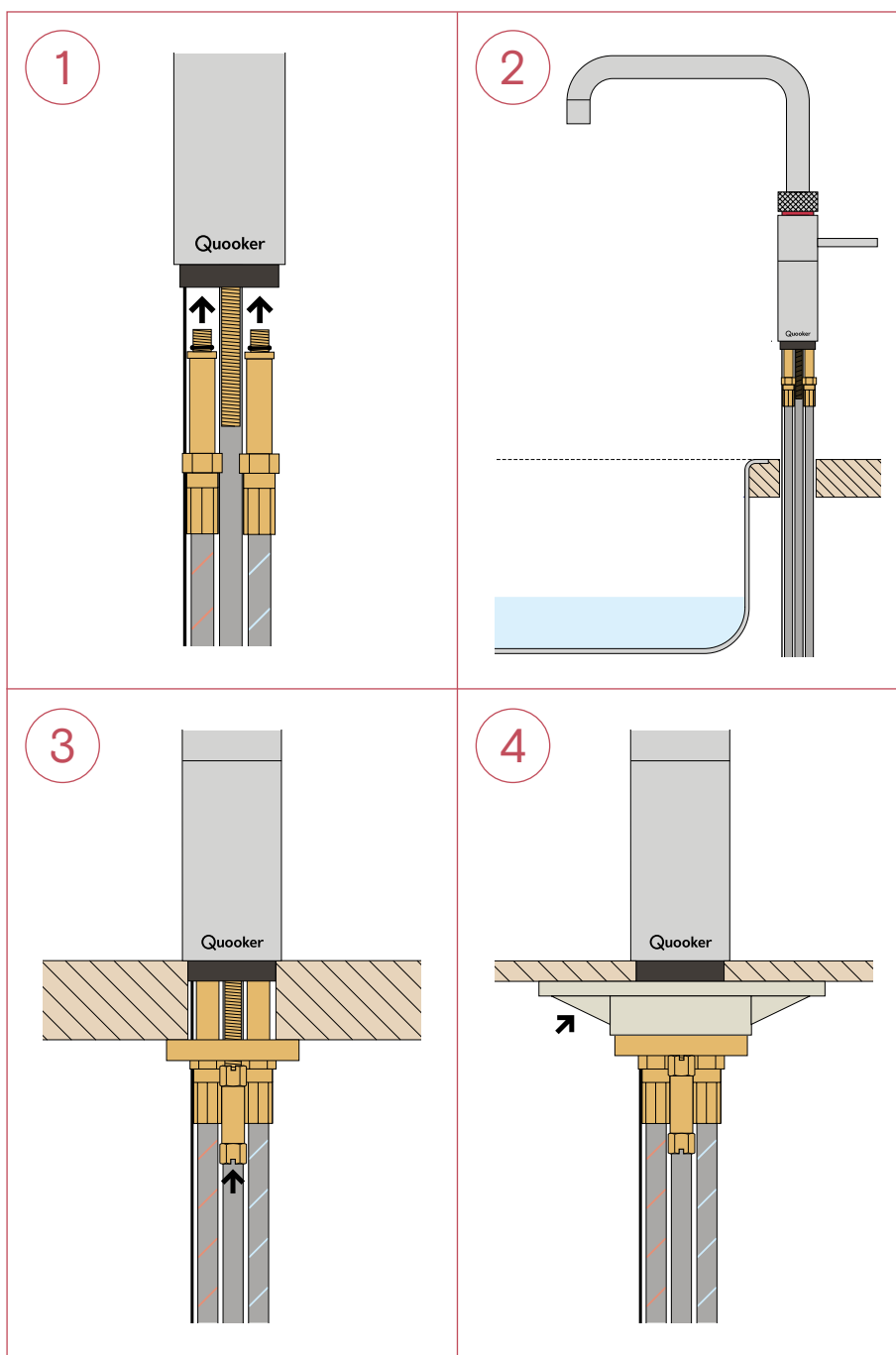
### 2. Securing the tap

Set the tap to the desired position and secure it with the metal washer and threaded ring supplied.

### 3. Securing tap screws

Tighten the threaded ring and secure it with the two screws provided.

# B<sub>2</sub> Fitting Fusion tap



### 1. Mount the hoses

Mount the hot water and cold water hoses on the tap.

### 2. Tap through work top

Push the tap through the hole in the work top.

### 3. Securing tap

Position the brass fixing plate around the hoses. Screw the fixing nut onto the tap thread. Adjust the position of the tap to ensure that the Quooker logo is facing the user. When the handle is in the cold position, it will be parallel to the edge of the work top. Tighten the fixing nut with a pipe wrench, socket wrench or spanner.

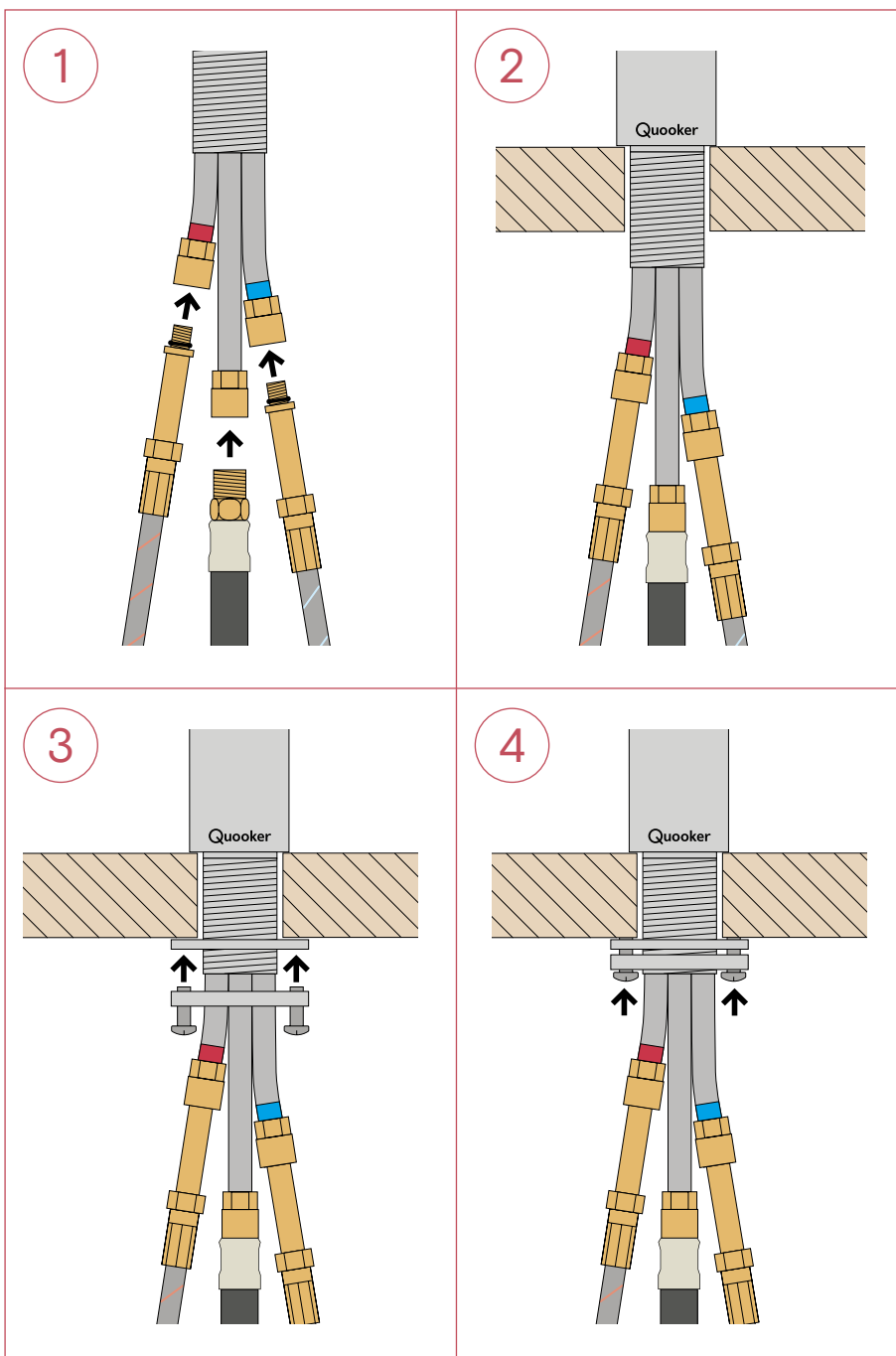
### 4. Fitting to thin work top

When fitting to a thin work top, use the white tap support underneath the brass fixing plate.

# B3

## Fitting Flex tap

- When installing the tank it is necessary to take into account that the Flex tap counterweight must be able to move up and down freely. When the hose is not withdrawn it hangs approximately 40 cm below the work surface.
- Note: When fitting the tap to a thin work top use the white tap support before placing the metal washer and threaded ring around the hoses.



### 1. Connect hoses

Connect the hot, cold and mixer water hoses to the tap.

### 2. Tap through work top

Push the tap through the hole in the work top.

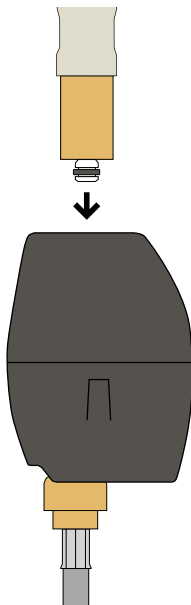
### 3. Tighten the brass plate

Place the metal washer and threaded ring around the hoses. Adjust the position of the tap to ensure that the Quooker logo is facing the user and fully tighten the metal washer.

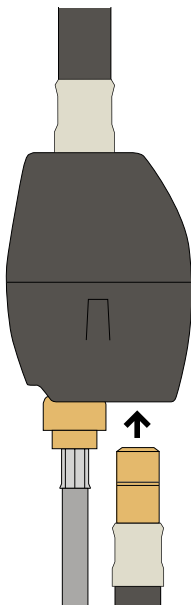
### 4. Securing tap screws

Tighten the threaded ring and secure it with the two screws provided.

5



6

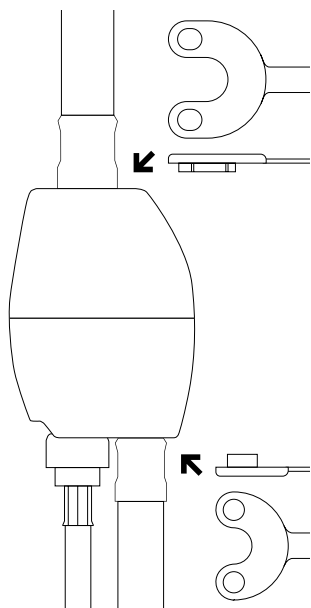


**5. Attach the coupling**

Click the pull-out hose into the counterweight's quick-release fitting while ensuring that the hose pillar is fully inserted.

**6. Fit the mixer water hose**

Click the mixer water hose into the counterweight's quick-release fitting while ensuring that the hose pillar is fully inserted.



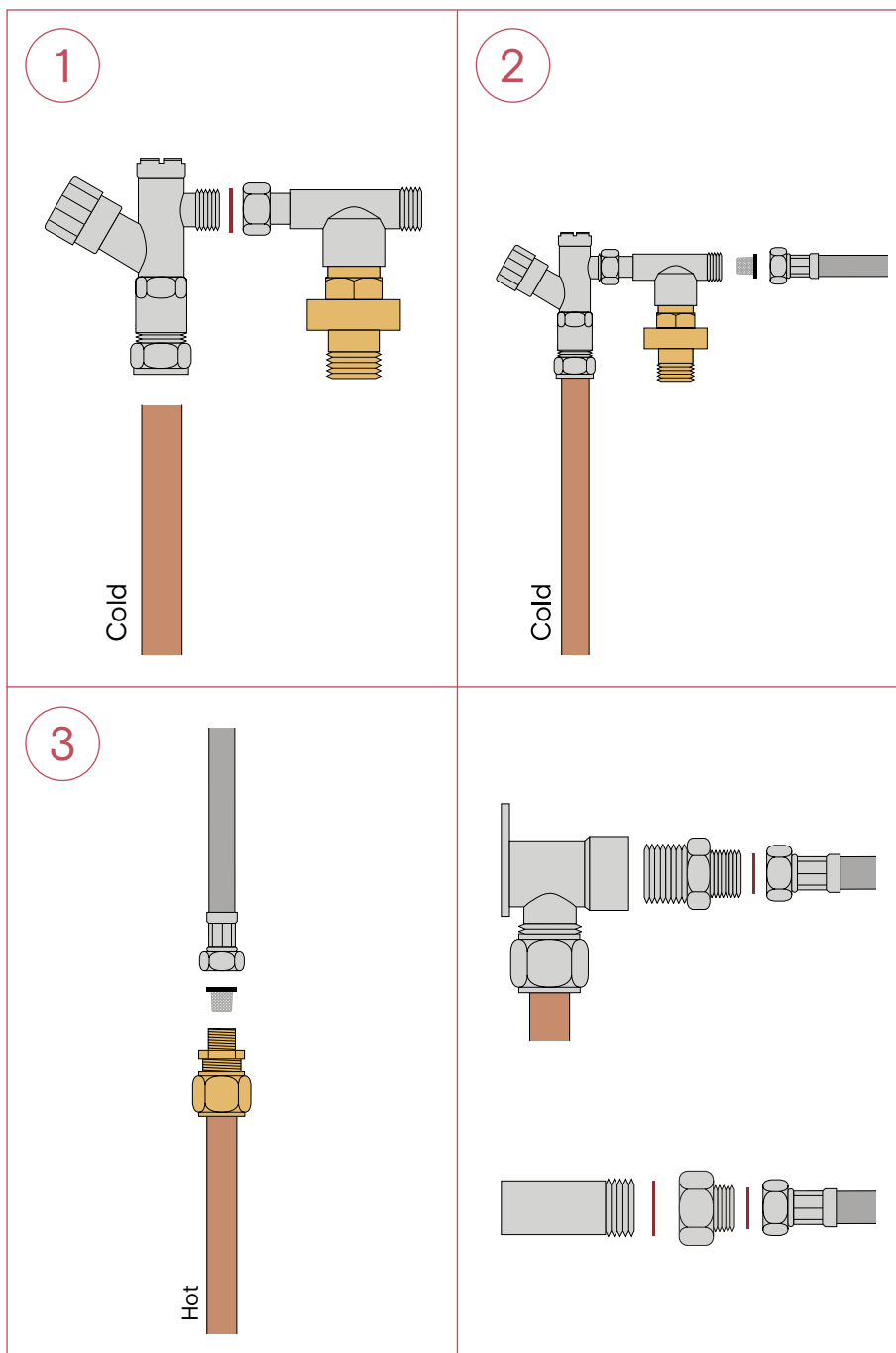
**If necessary**

Detach counterweight. Use the quick-release tool to detach the mixer water hoses from the counterweight. Press the quick-release tool flat against the counterweight to hold it still. This enables the hose to be extracted.

# C

## Connecting water

- The Quooker operates under mains water pressure and must always be fitted to the water pipe with the supplied inlet valve.
- The Nordic single tap, the Fusion tap or the Flex tap must be installed according to the locally applicable regulations.



### 1. Connect inlet valve

Close the main shut-off valve. Fit the supplied isolation valve. Connect the inlet valve to the isolation valve with the fibre washer.

### 2. Connect cold water hose

Connect the cold water hose with the hose screen to the inlet valve.

### 3. Connect hot water hose

Connect the hot water hose with the hose screen to the mains.

### If necessary

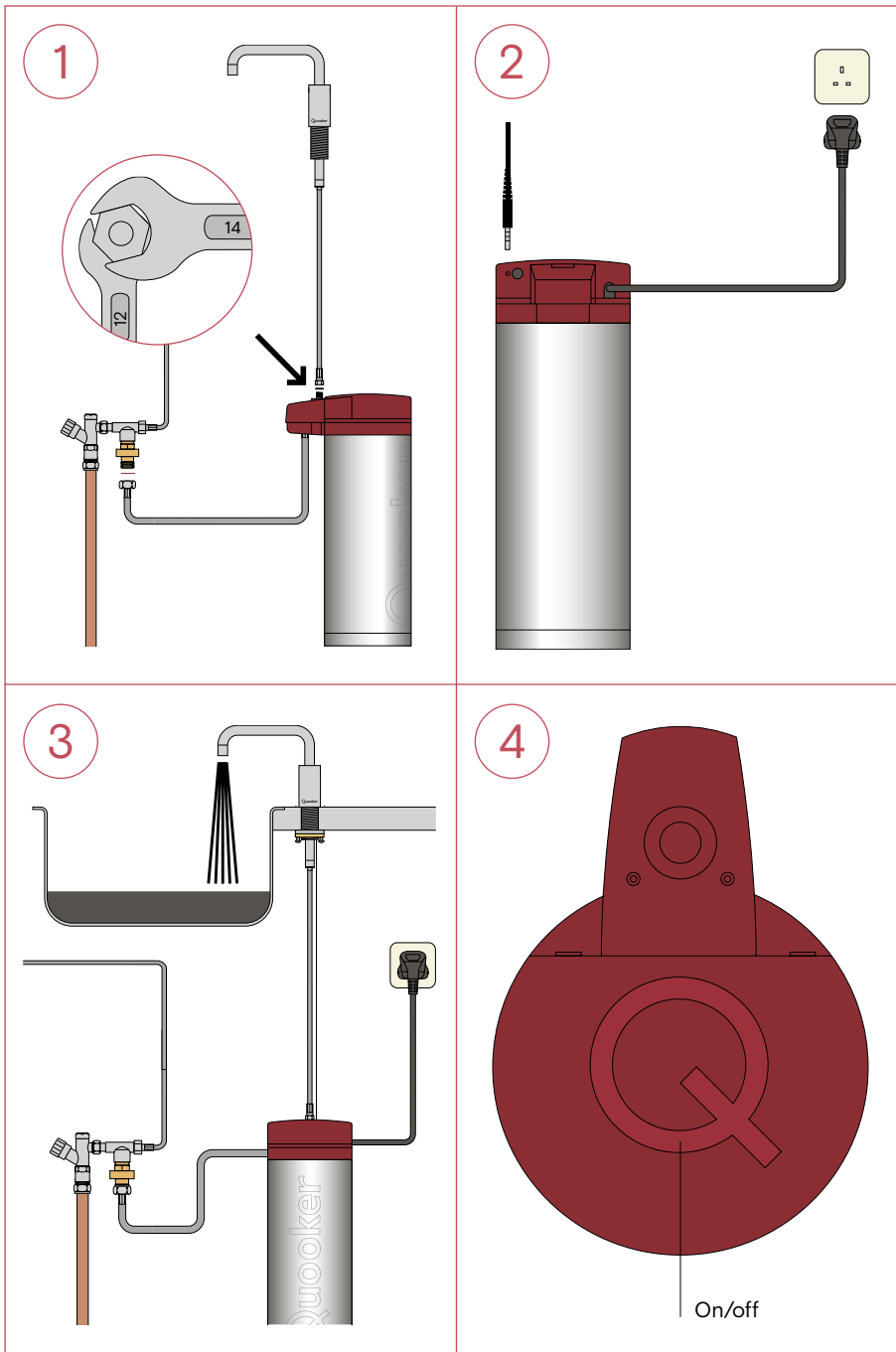
If only a G $\frac{1}{2}$ " connection is present, use one of the G $\frac{1}{2}$ " couplings with the supplied fibre washers.



# D

## Connecting tank to tap

- The Quooker tank is supplied with a UK 3 pin plug and requires a standard 13 amp earthed socket.
- If the mains lead is damaged, it must be replaced by the manufacturer, their agent or a qualified technician.
- The 'Q' on the lid is the on/off switch.



### 1. Connecting tank and tap

Position the tank and connect to the inlet valve using the washer provided. Using size 12 and 14 socket spanners, connect tap hose to fitting at the top of the tank.

### 2. Electrical connection

Insert the LED cable into the relevant opening. Connect the tank to an earthed socket. Do not switch on until the tank is filled with water.

### 3. Filling tank

Open the isolation valve and start the boiling tap with a double push and turn motion on the tap's textured ring. Check for leaks. Let the water run for a few minutes, until the water runs clear. The initial black colouring is activated carbon from the filter and completely harmless.

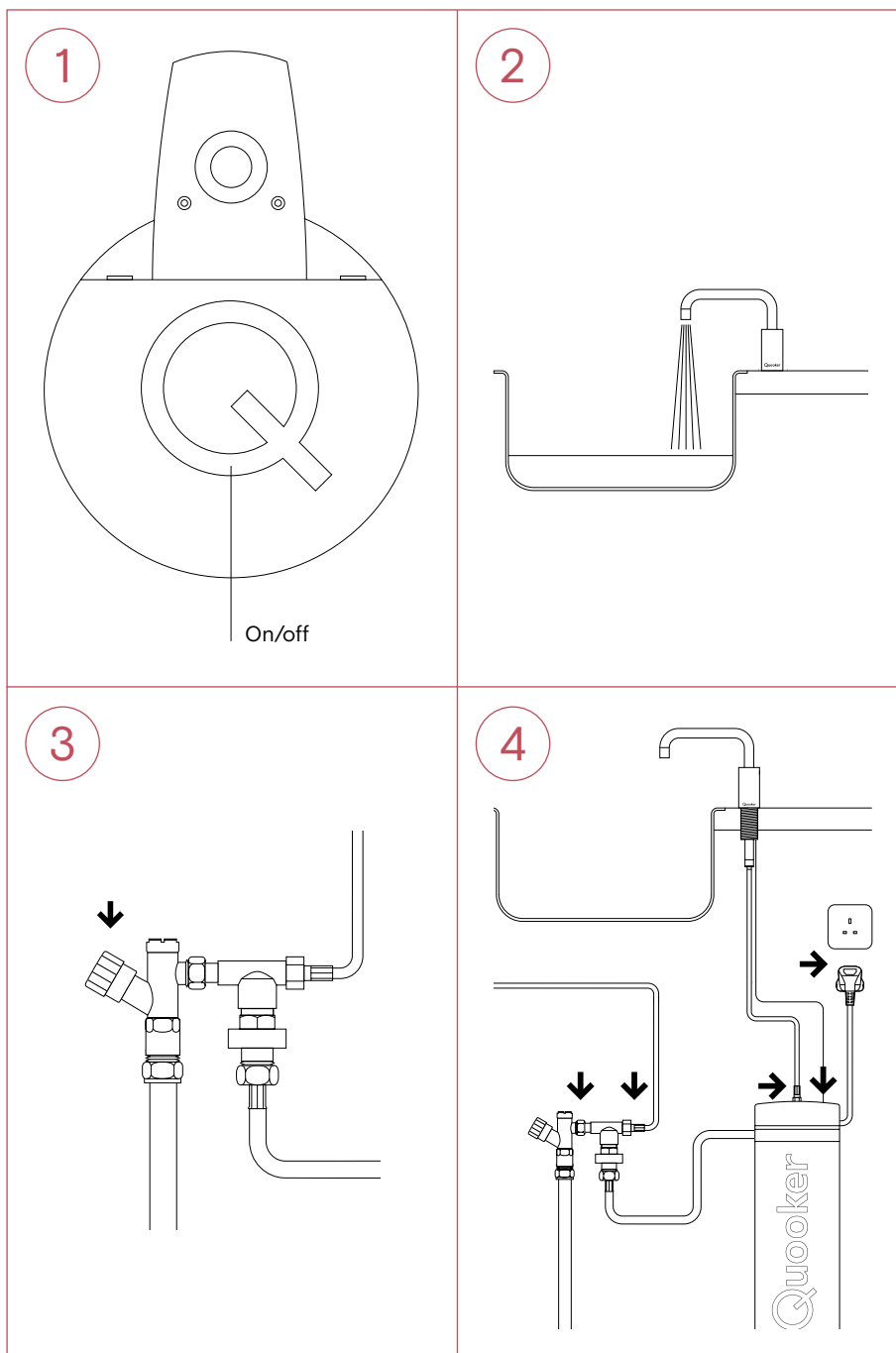
### 4. Switching on

Switch the tank on.

# E

## Disconnecting tank

- In case of service.



### 1. Switching off

Press the on/off switch at the top of the tank to switch it off. Do not unplug the tank from the power socket yet.

### 2. Draining

Open the boiling-water handle of the tap and leave the water running until it runs cold. Then close the tap again. Note: At first, the water is very hot.

### 3. Isolating

Close the main shut-off valve or the isolation valve for cold water. Check that the Quooker is depressurized by opening the Nordic single tap or the boiling-water handle of the Fusion or Flex tap again. If it is depressurized, no water should flow out of it.

### 4. Disconnecting

Unplug the LED cable from the lid. Release the hose connections and pull the plug out of the socket. Remove the inlet valve and reconnect the cold water hose to the angle stopcock.



Quooker®

Quooker UK Ltd.  
Beaumont Buildings  
Great Ducie Street  
Manchester M3 1PQ  
+44 (0)207 923 3355  
[enquiries@quooker.co.uk](mailto:enquiries@quooker.co.uk)  
[www.quooker.co.uk](http://www.quooker.co.uk)