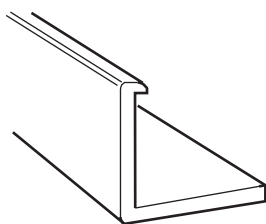


Backboard Sealer Strip Installation

WTCLE93



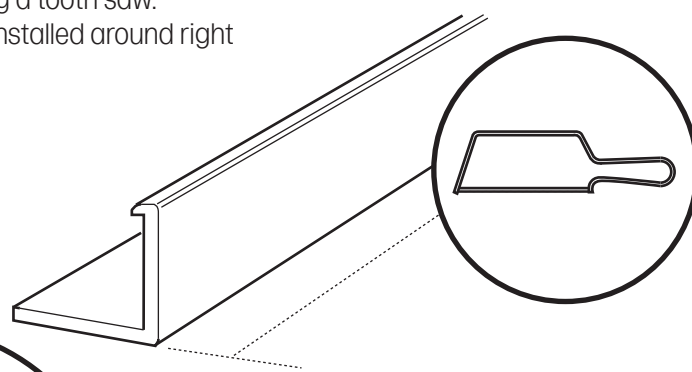
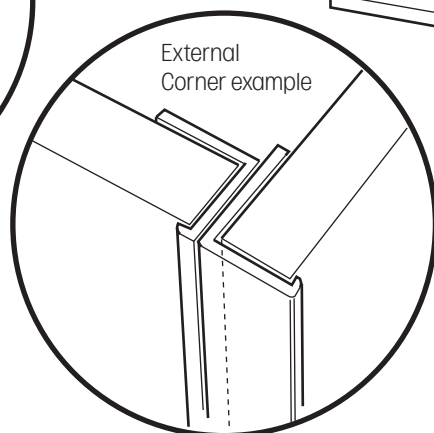
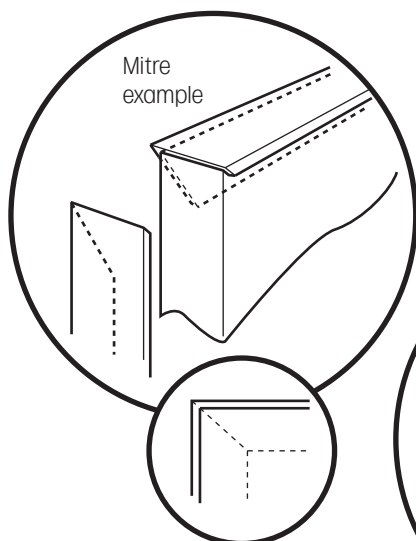
Notes: Ensure packaging is disposed of in a safe environmentally friendly way

The decor strip is not designed for use as a moisture sealant, it should be bonded in position prior to installation of the backboard

Installation must be carried out by a competent person

Assembly

- 1 Measure and cut the strip to the required length using a tooth saw.
Note: 45° cuts will be required if sealer strip is to be installed around right angled corners.



- 2 Secure the strip to the appropriate edges of the backboard using waterproof contact adhesive, following the manufacturers instructions.

Fit the backboard once the sealer strip is applied.

Pack out rear face if required

Ensure front lip of the sealer strip sits flush against the front face of the backboard.

