



HOWDENS

JOINERY CO.

**HOWDENS
PROFESSIONAL
LAMINATE
FLOORING**

Simple and quick installation with no tapping or glue required*



*See point 23 on the reverse of this sheet

Features and benefits



Compression proof
& impact resistant



Suitable for hot water &
electrical underfloor heating



Flooring can be
taken up again

Important information



Sealed packs must be stored for at least 48 hours where they are to be laid.



Packs are to be laid flat on the floor with at least 50cm between packs and walls.



Packs should be stored in a room with a minimum temperature of 18°C.



Do not open packs until you are ready to install the flooring.



The fitting method for this flooring is unique and laying instructions must be followed on the reverse of this sheet

AC 4

1285mm x 192mm x 8mm

9 Panels Per Pack

Coverage 2.22m²

Pack Weight: 15kgs



20

Years
Domestic
Warranty

5

Years Medium
Commercial
Warranty

Before Laying

Please read through the laying instructions before fitting the flooring, as failing to do so may invalidate any warranty and guarantee claims.

Please check the planks in good lighting conditions for any defects, as once the planks are laid you can no longer make any claims due to defects. Excess water and spills should be immediately wiped clean to protect the flooring surface. Flooring should not be used in areas with high humidity & moisture content such as saunas.

- An important prerequisite for the installation and long preservation of the laminate is a relative air humidity of 50-70%.
- The sub-floor must be absolutely level, dry, clean and firm.
- When laying on mineral surfaces e.g. concrete, cement screed, anhydrite screed and stone tiles, etc.. extra care must be taken.
- Please allow 1 week drying time per cm depth to allow to completely dry out. Fit a Howdens Joinery Damp Proof Membrane (DPM) between mineral subfloor and underlay/ laminate flooring.
- Laminate flooring is laid "floating" and must not be glued, nailed or fixed to the sub-floor in any other way (e.g. by means of door stoppers).
- We recommend you sort the panels before laying according to the required grain direction and any colour nuances.
- Use the contents of opened packages immediately! You will need the following to lay the flooring: Howdens Joinery Underlay, Howdens Joinery DPM, spacing wedges, chock, fitting aid, saw, pencil and folding rule. If required, laminate floor joint sealant, White (PVA) glue D3, jointing compound. Depending on the area of use, there are three laying possibilities open to you:

A. Fast, glue-free laying.

B. Laying with Laminate flooring joint sealant.

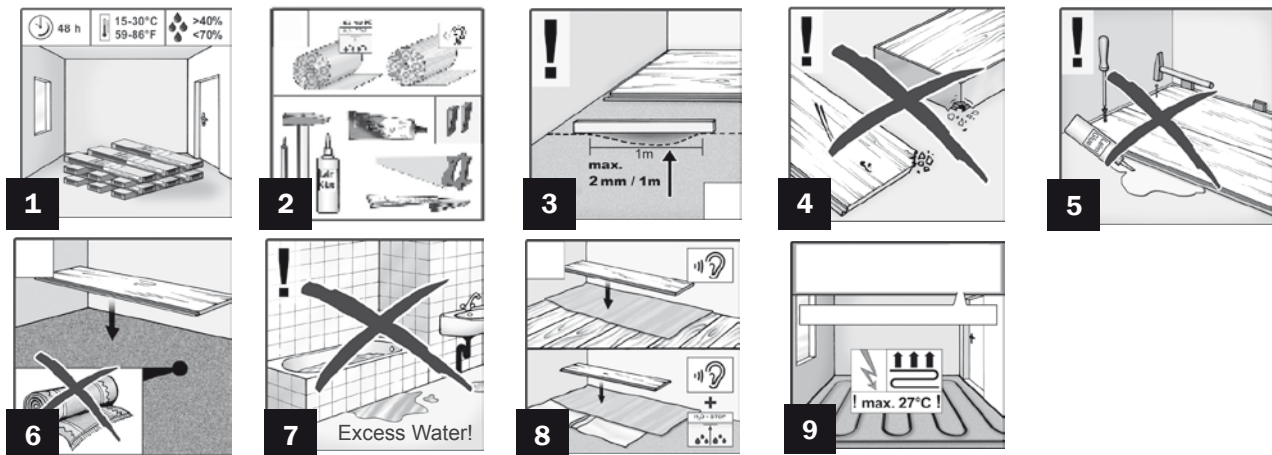
Laminate flooring sealant permanently protects the floor from moisture effects acting from above.

Laminate flooring sealant does not glue panels down or together.

C. Laying with glue also provides lasting protection against moisture, however the work is more complicated and time consuming and the flooring cannot be dismantled for possible relaying.

Preparation:

- 1** Store unopened packs in the room to be laid for 48hrs to acclimatise. **2** Prepare all tools and accessories for laying. **3** Any unevenness in the sub floor of more than 2mm over 1m must be evened out. **4** Check for visual damage to the panels, as once laid no claims can be made. **5** The floor must be installed floating, do not glue, nail or screw the floor down. **6** Do not lay on carpet, remove before fitting. **7** Laminate is not suitable for humid or wet areas. **8** Lay a Howdens Joinery Damp Proof Membrane (DPM), and for enhanced noise reduction use a special absorption product or underlay. **9** Under floor heating can be used, at a maximum of 27 °C.

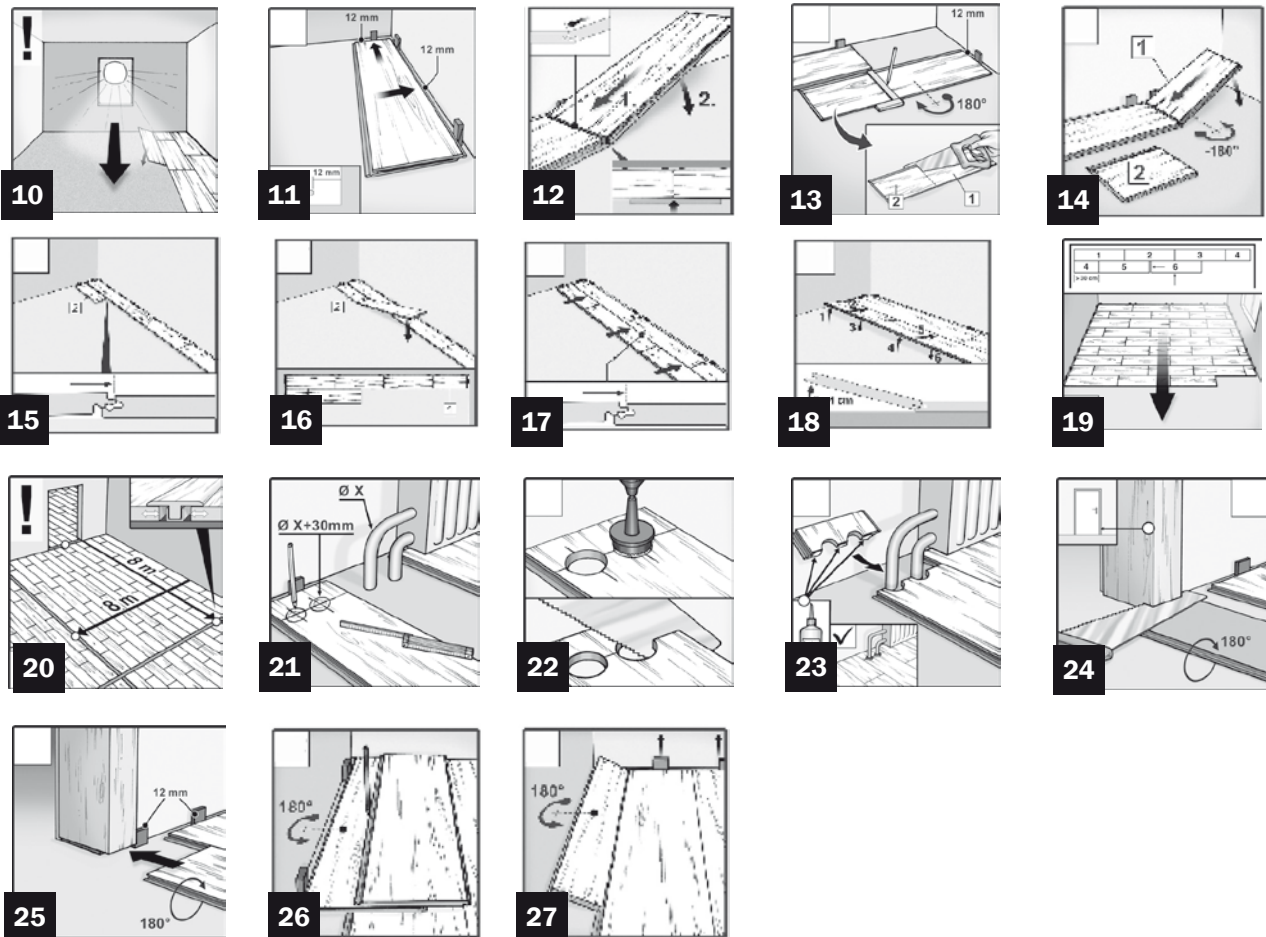


Laying:

- 10** For best results lay floor in the direction of the light source. **11** Begin laying in a corner with the tongue against the wall using spacers to maintain the 10-12mm expansion gaps. **12** Lay the next panel using a 45° angle folding action on the short edge. Continue this manner to complete the first row. It is essential that the panels are perfectly in line, as any misalignment will be exaggerated over subsequent rows. **13** For ease of measuring rotate the last panel 180°, offer up to space (don't forget the expansion gap) and mark and cut. **14** Rotate the cut piece and lay as before at a 45° angle. **15** Begin the next row using the off-cut from the end of the previous row. At this stage offer the long edge profile up to the previous row, so it just rests on top. **16** Continue to lay as before, folding the short edges together, using the long edge of the previous row as a straight edge guide to ensure alignment. **17/18** Once row is complete offer up in its entirety to previous row and fold in the long edge profile using a similar 45° angle and gently push down (take care not to use excessive force which may damage the profile). Use a zipper type action to move down the row until panels are level and flush. **19** Continue this process to lay the entire room. **20** If the floor exceeds 8m x 8m expansion breaks in the floor are required, using relevant profiles.

Hints & Tips

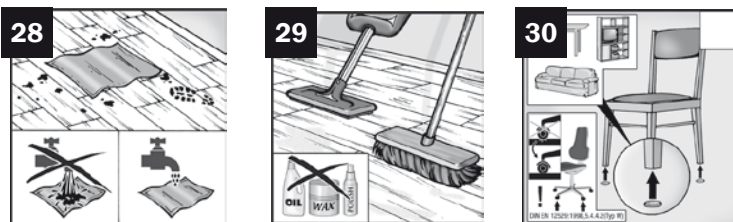
- 21** When cutting around heating pipes, place the panel in line both in front and along side to ascertain accurate marks. Include an additional 30mm on top of the pipe diameter for expansion. **22** Use a hole saw for accurate cutting then cut the panel across the short edge through the centre of the hole. **23** Fit the large piece as normal, and then insert the smaller piece gluing contact areas to hold in place. If space is at a premium, and you are unable to fold down, trim the profile flush using a wood chisel and glue in place. **24** To fit floor neatly around door frames and architraves, turn over a panel, offer up to the frame to use as a thickness guide. Using a hand saw flush with the underside of the panel, cut the frame/architrave, and, remove the cut piece. **25** Slide the panel under the frame, not forgetting to leave room for expansion. **26** When measuring the width for the final row, rotate the panel 180° so the tongue faces the wall, not forgetting space for expansion gaps. **27** Once the panel is cut, lay as normal. The space left for expansion will also allow space to fold the panels down.



Care & Maintenance

28 Use a soft brush or vacuum cleaner to remove any surface dust. Do not use abrasive cleaners, steel wool or scouring pads, as they will damage your floor. **29** For regular cleaning use a cloth, ensuring it is well wrung, it is important not to apply excess moisture to the floor.

30 We recommend to protect your floor, you use felt pads under furniture. Moveable furniture/chairs should be on soft castors or placed on a plastic mat. Furthermore, any single piece of furniture placed on the floor should not exceed 115kg in weight. Doormats should be used inside and outside of all external doorways to prevent grit from being carried across the floor, protecting the surfaces from excessive wear and tear.



TYPE OF STAIN & TREATMENT

Fruit, Berries, Juice, Milk, Cream, Soft Drink, Beer, Wine, Tea, Coffee, Urine - Mild cleaning agent
 Rubber, Tar, Ink, Asphalt, Lipstick White spirit or acetone (wipe with a damp cloth)
 Chocolate, Shoe Polish, Oil, Grease Methylated spirits (wipe with a damp cloth)
 Blood- Cold Water

Important Note

Laminate flooring is hygroscopic, meaning that it is susceptible to reaction to moisture levels in the atmosphere. It is necessary therefore to ensure that flooring is installed in a stable environment. We recommend the boards are stored and laid in a relative humidity of between 45%-65% and a room temperature of between 18°C and 20°C.