

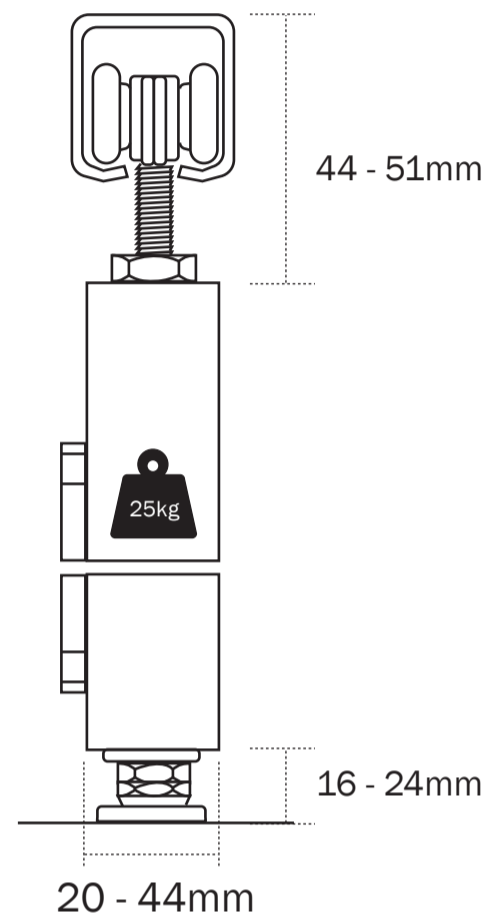
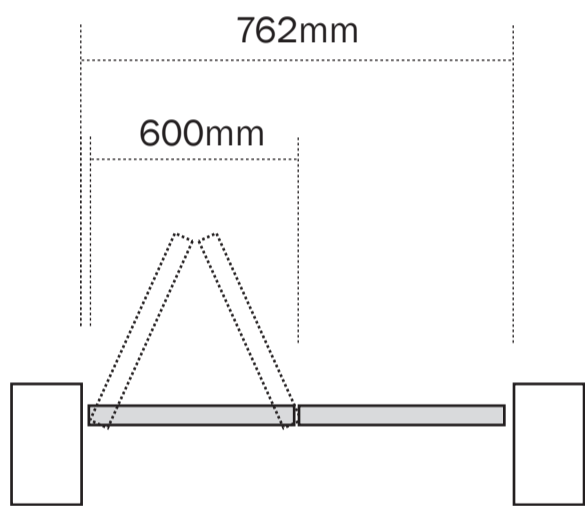
### Important Notes:

Ensure packaging is disposed of in a safe environmentally friendly way  
 Doors can be trimmed if more clearance is required at the top, bottom or sides  
 Follow the instructions supplied with your door for specific trimming guidelines

## Track Dimensions

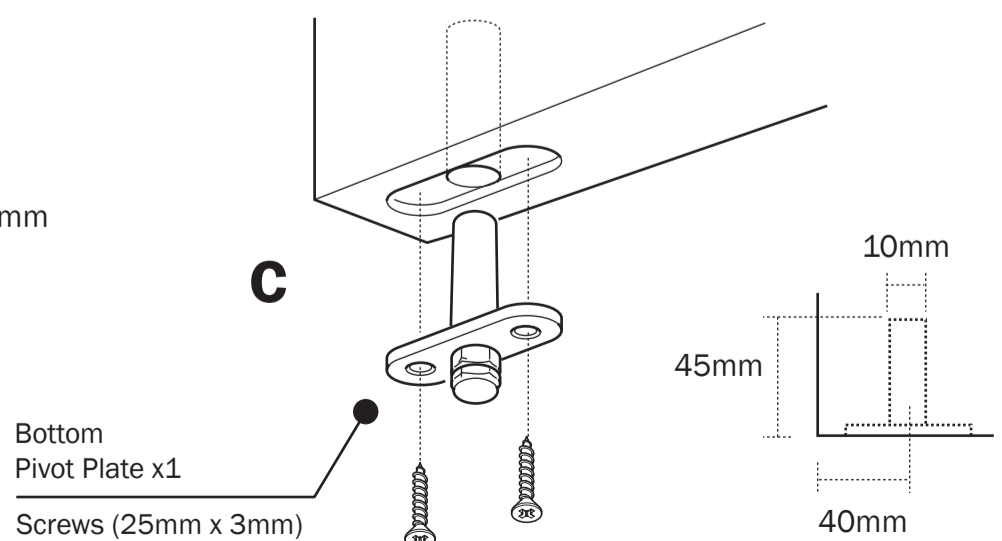
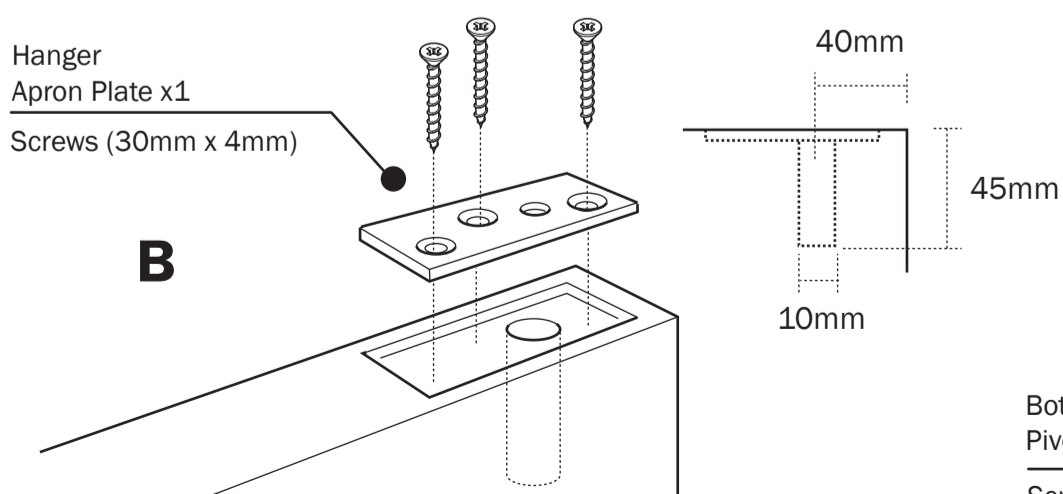
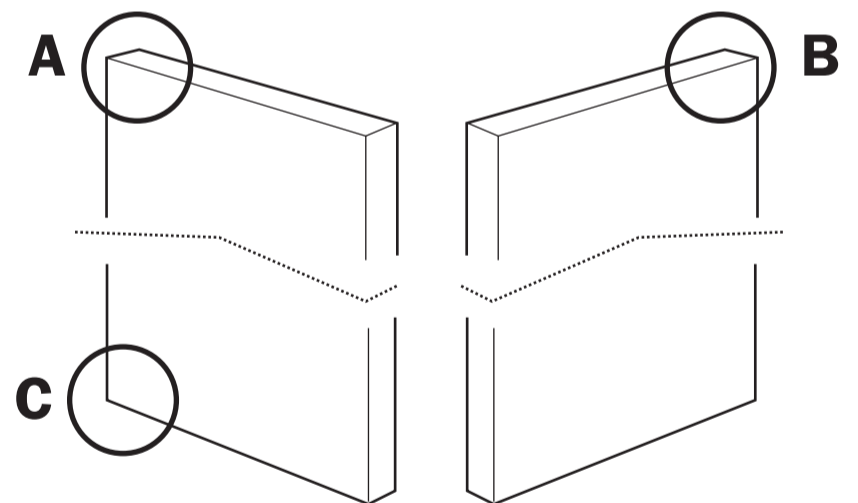
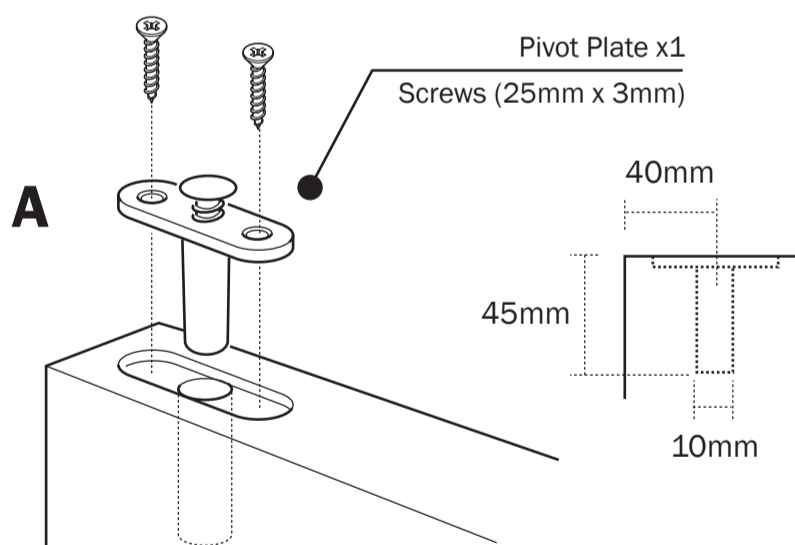
**NOTE:** Trimming is required for use with the 2'3" door

	Max Weight Per Door Leaf
DIP0905	25kg



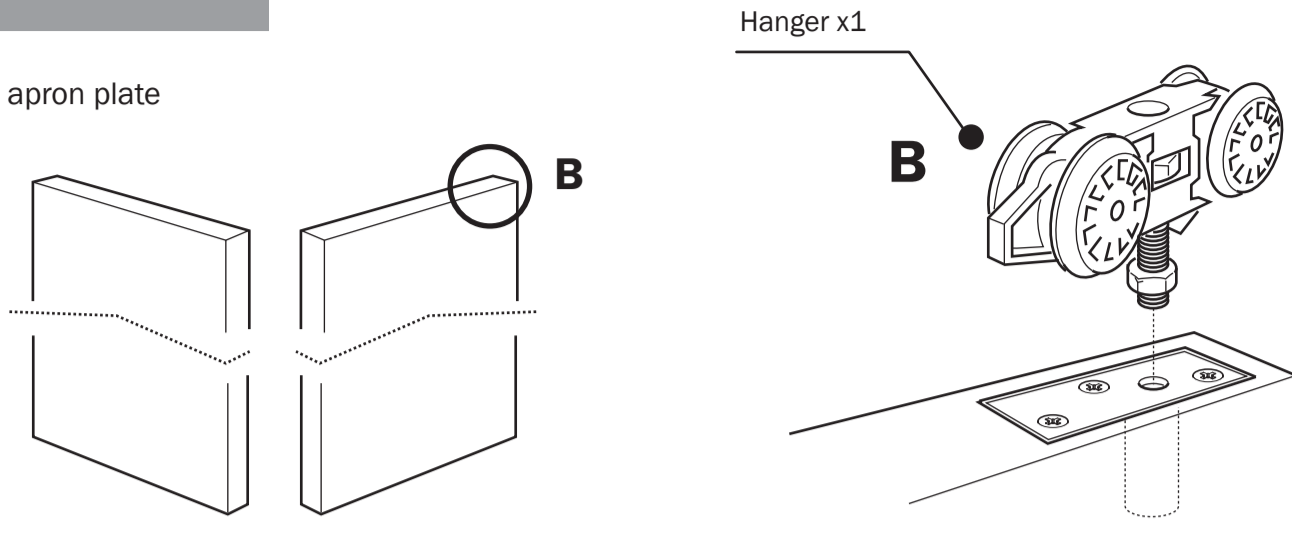
## Assembly

- 1 Position & secure the pivot and hanger apron plates

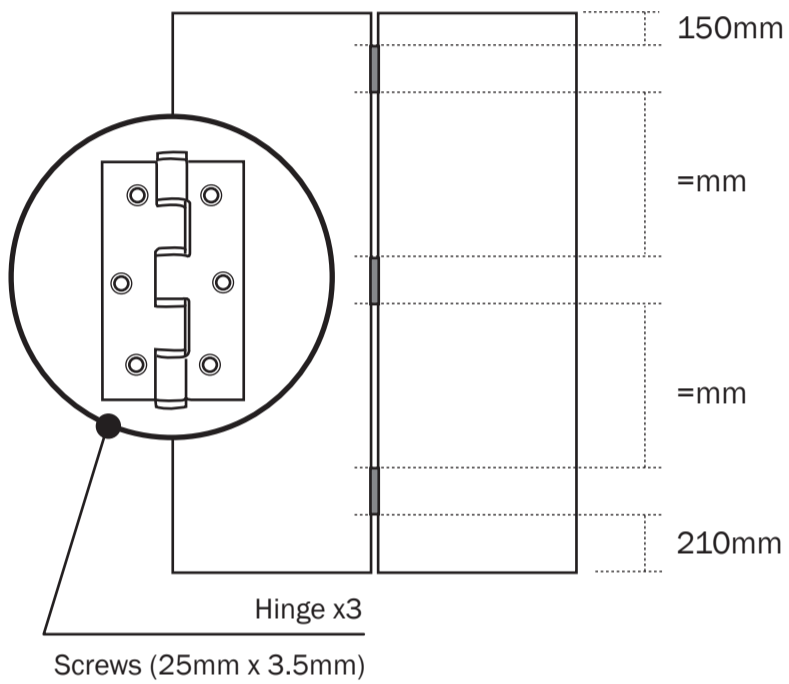


# Assembly

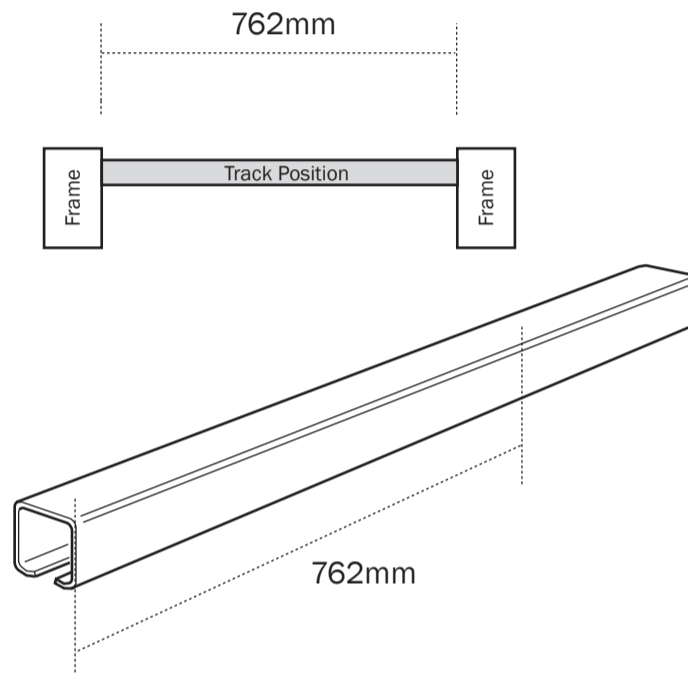
**2** Fit the hanger to the apron plate



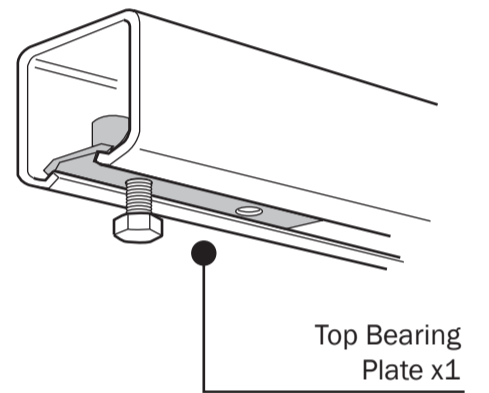
**3** Fit the hinges to the doors



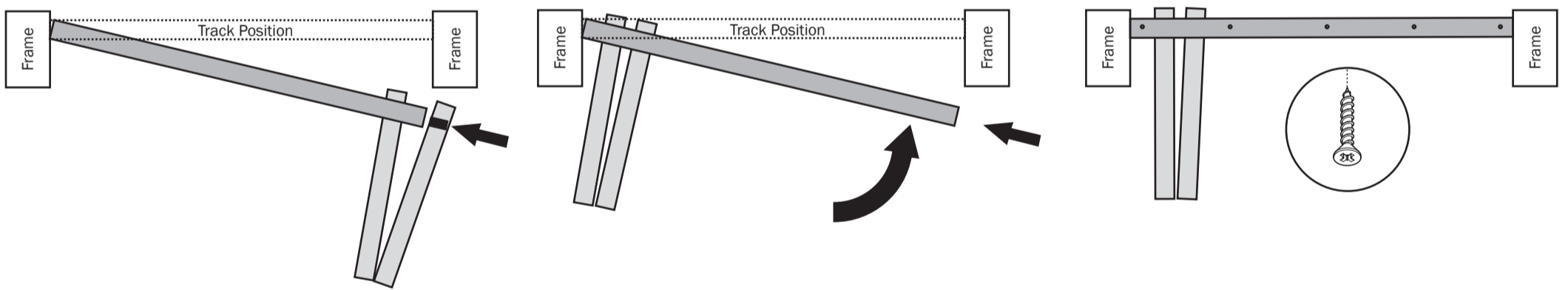
**4** Trim the track to the correct length



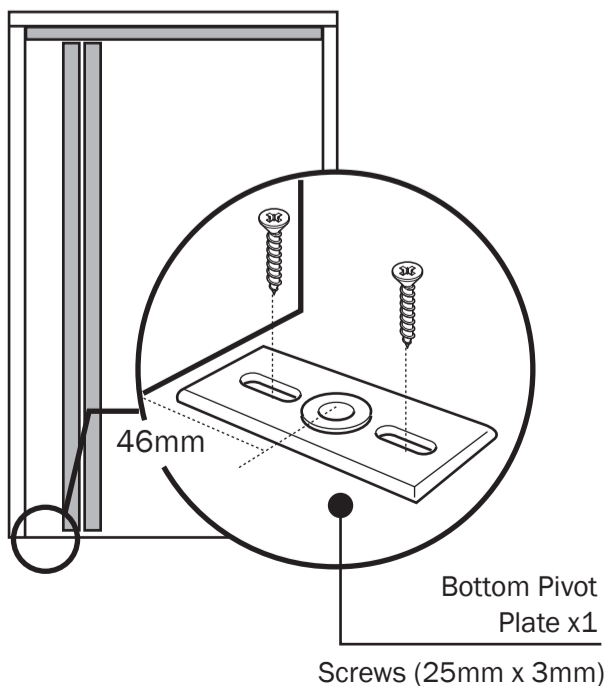
**5** Position and secure top bearing plate then secure the track



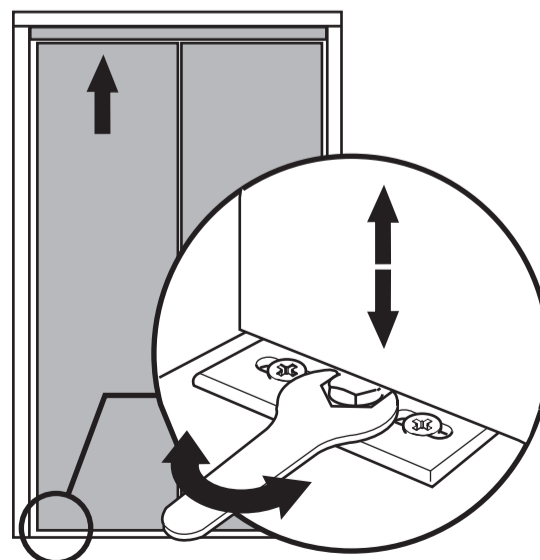
**6** Slide the doors onto the track then secure the track in place



**7** Secure pivot plate in position



**8** HEIGHT ADJUSTMENT  
Lift door and adjust nut using a spanner



**9** DOOR ALIGNMENT

