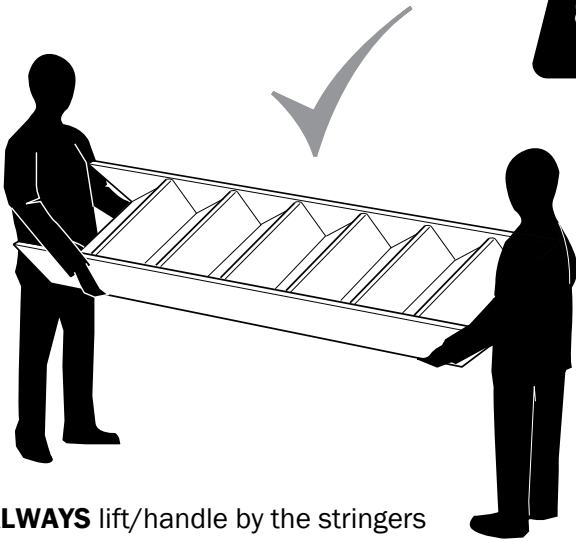


Staircase Handling & Storage Instructions

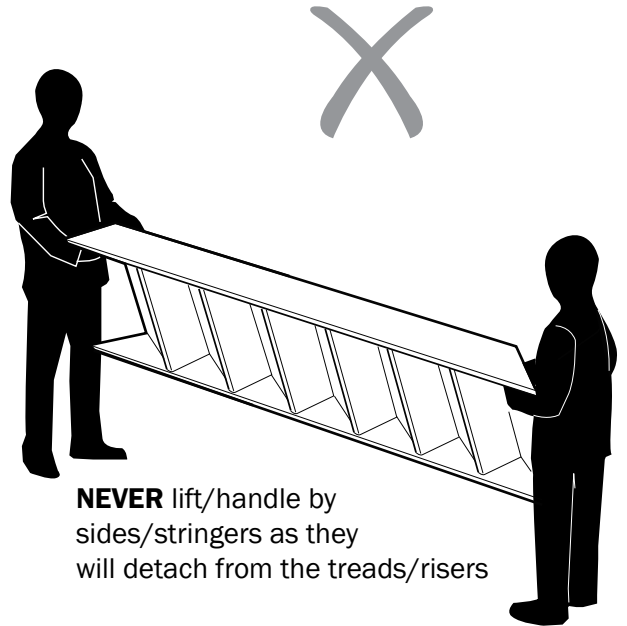
STA0011 & STA0020

Handling - Minimum 2 Man Lift

80kgs

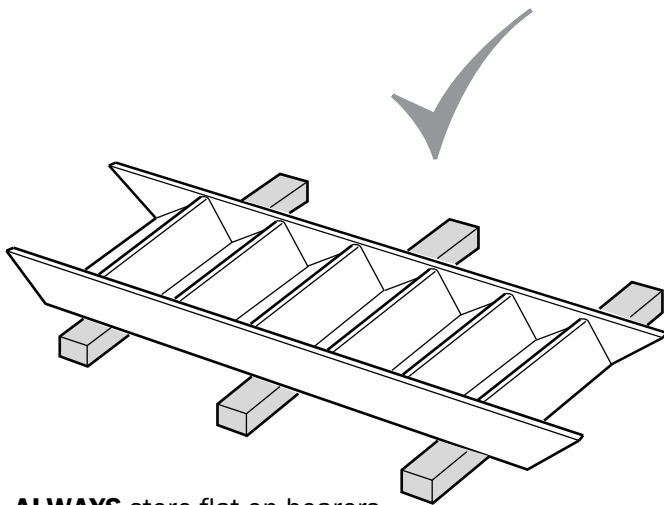


ALWAYS lift/handle by the stringers horizontally and carry horizontally to maintain the structural integrity of the staircase



NEVER lift/handle by sides/stringers as they will detach from the treads/risers

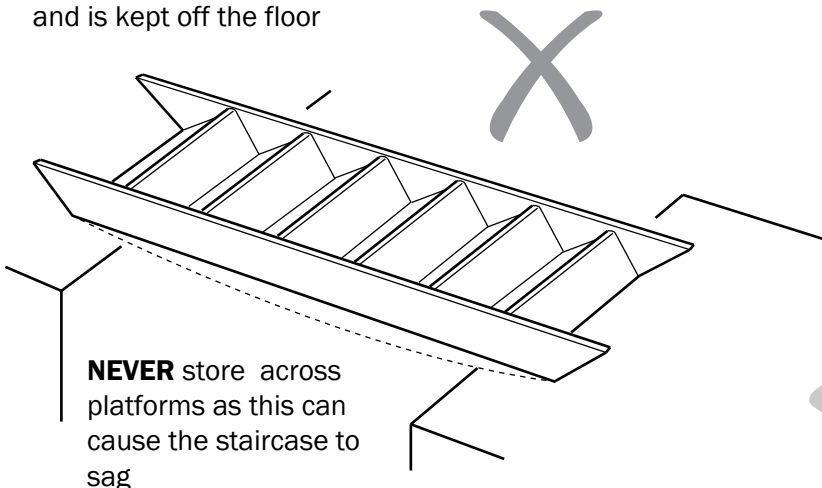
Storage



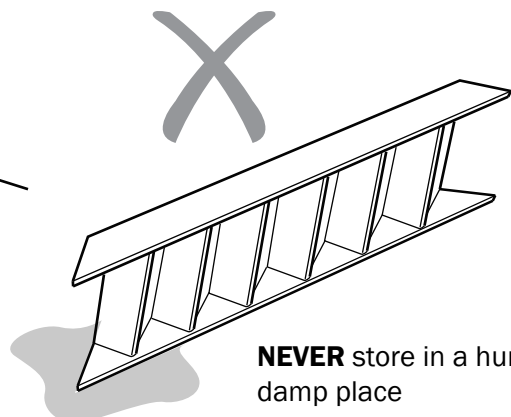
ALWAYS store flat on bearers so the staircase retains its shape and is kept off the floor



NEVER store on the sides as this can compromise the structure of the stairs



NEVER store across platforms as this can cause the staircase to sag



NEVER store in a humid or damp place