

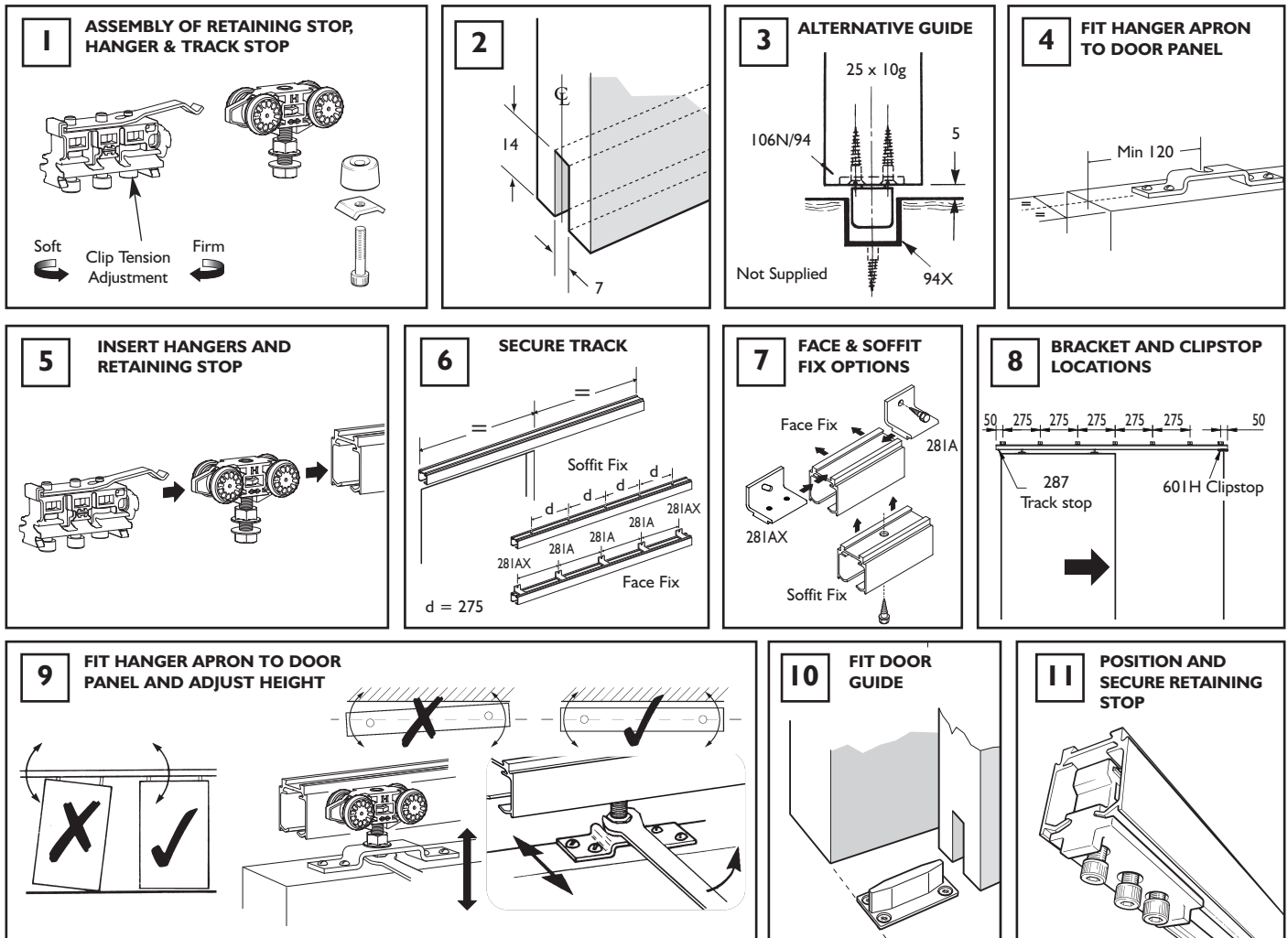
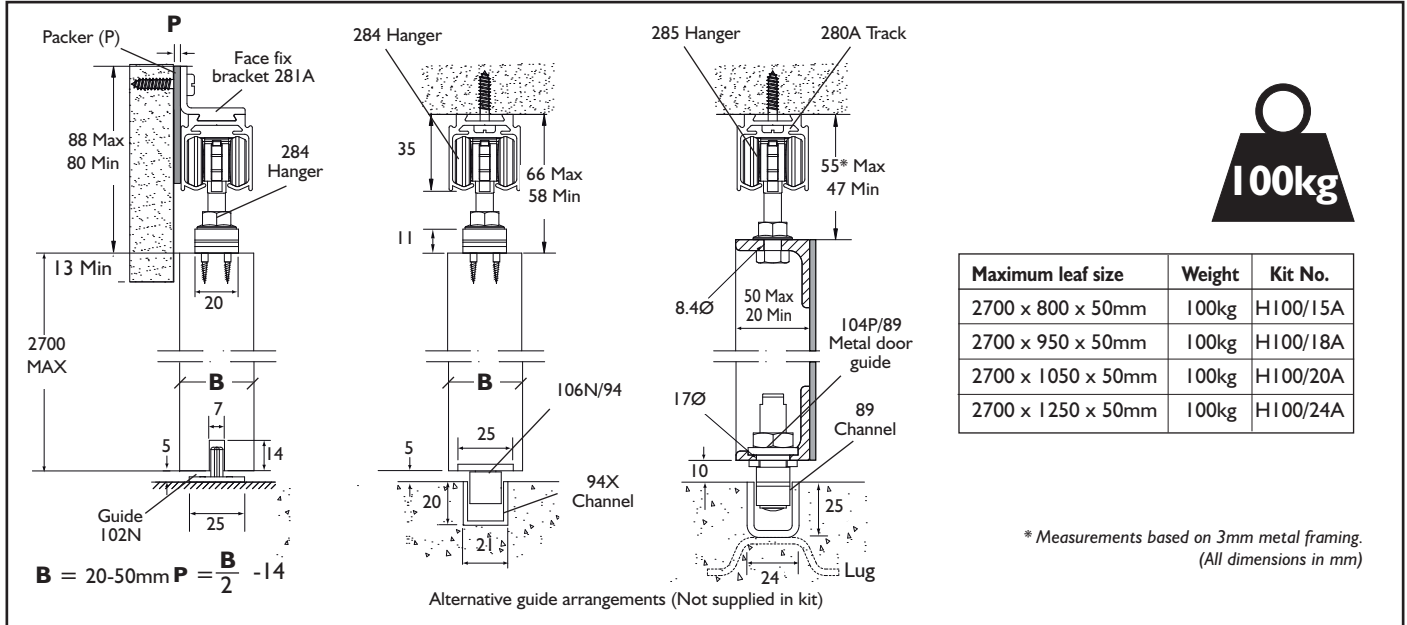
## FITTING INSTRUCTIONS - NOTICE DE POSE - MONTAGE HANDLEIDING - MONTAGEANLEITUNG ISTRUZIONI DI MONTAGGIO - INSTUCCIONES DE MONTAJE

**Warranty.** This product is covered by a 10 year manufacturer's warranty. Please see the P C Henderson website for terms and conditions.

### WATCH THE INSTALLATION VIDEO

Visit: [www.pchenderson.com/husky-sliding-installation](http://www.pchenderson.com/husky-sliding-installation)

Or scan the QR code using your phone



## FITTING INSTRUCTIONS - NOTICE DE POSE - MONTAGE HANDLEIDING - MONTAGEANLEITUNG ISTRUZIONI DI MONTAGGIO - INSTUCCIONES DE MONTAJE

**Warranty.** This product is covered by a 10 year manufacturer's warranty. Please see the P C Henderson website for terms and conditions.

**100kg**

Maximum leaf size	Weight	Kit No.
2700 x 800 x 50mm	100kg	HI100/15
2700 x 950 x 50mm	100kg	HI100/18
2700 x 1050 x 50mm	100kg	HI100/20
2700 x 1250 x 50mm	100kg	HI100/24

**B = 20-50mm**    **P =  $\frac{B}{2} - 14$**

Alternative guide arrangement (Not supplied in kit)

\* Measurements based on 3mm metal framing.  
(All dimensions in mm)

**1 ASSEMBLY OF RETAINING STOP, HANGER & TRACK STOP**

**2**

**3 ALTERNATIVE GUIDE**

**4 FIT HANGER APRON TO DOOR PANEL**

**5 INSERT HANGERS AND RETAINING STOP**

**6 SECURE TRACK**

**7 FACE & SOFFIT FIX OPTIONS**

**8 BRACKET AND CLIPSTOP LOCATIONS**

**9 FIT HANGER APRON TO DOOR PANEL AND ADJUST HEIGHT**

**10 FIT DOOR GUIDE**

**11 POSITION AND SECURE RETAINING STOP**

