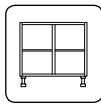


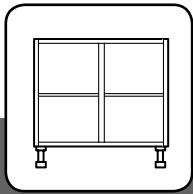
Section 10

Contract kitchens



Contract kitchens

Rigid cabinet page 212



Section 10 - Contract kitchens

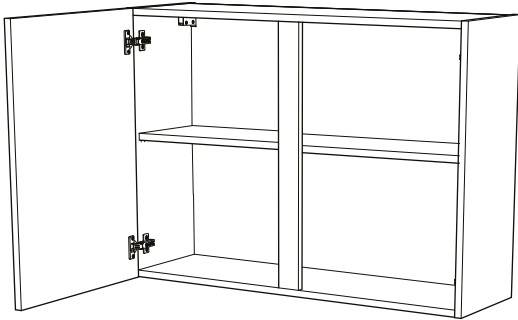
Rigid cabinet

The information on this sheet shows key installation differences for the rigid contract cabinet system, compared to Howdens standard rigid cabinet. Information should be used as a replacement to the applicable stages shown in the kitchen installation manual.

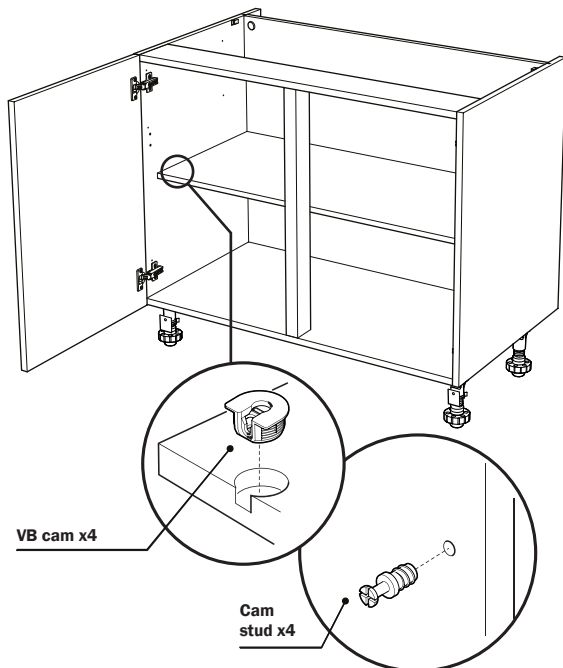
Key installation points

1. Cabinet wall fixing
2. Cabinet connecting
3. Half height cabinet doors
4. Drawer front fixing positions (3 Drawer unit)
5. Standard drawer box runner fitting

Contract wall cabinet example

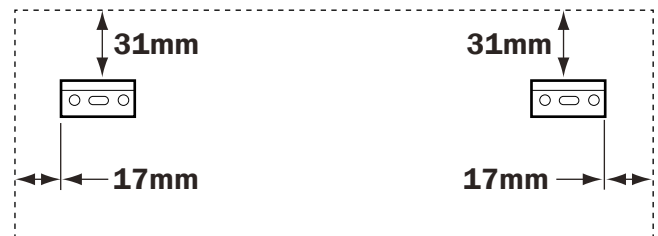


Contract base cabinet example

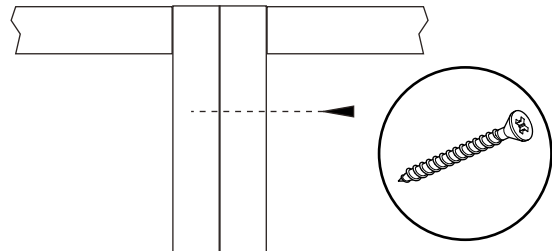


- 1 **Cabinet wall fixing**
Fix the metal hanging brackets to the wall using the dimensions shown.

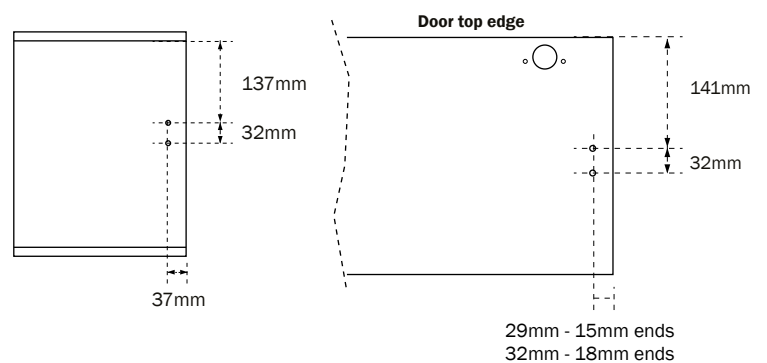
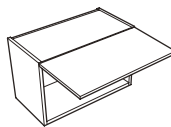
Cabinet outline

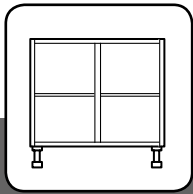


- 2 **Cabinet connecting**
25mm CSK screws are supplied for connecting cabinets together.



- 3 **Half height cabinet doors**
Follow the dimensions below for cabinet and door screw fixing positions for flapstay.



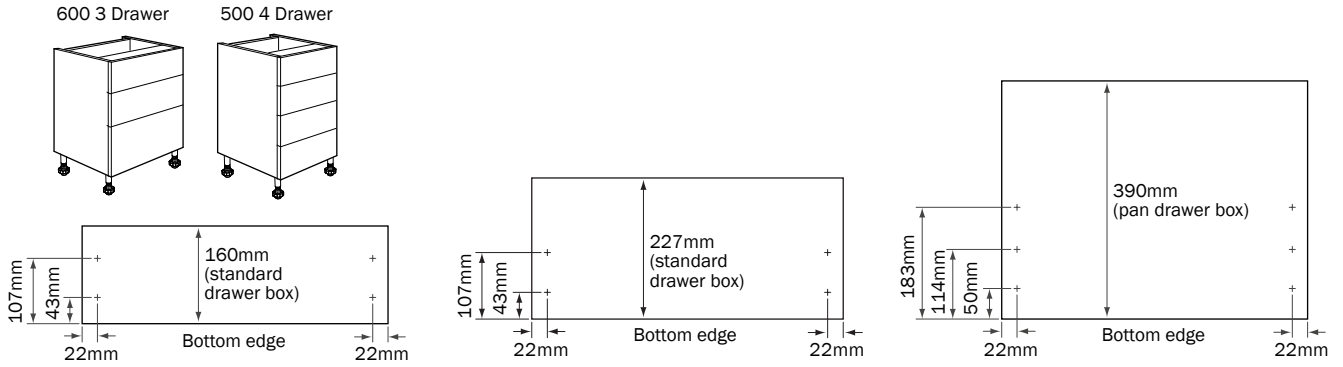


Section 10 - Contract kitchens

Rigid cabinet

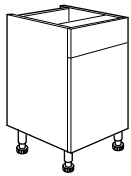
3 and 4 Drawer base application

Follow the dimensions below for drawer front screw fixing positions.

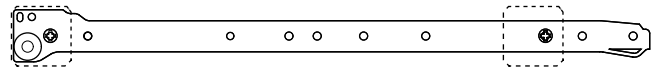


DL Drawer box runner fitting

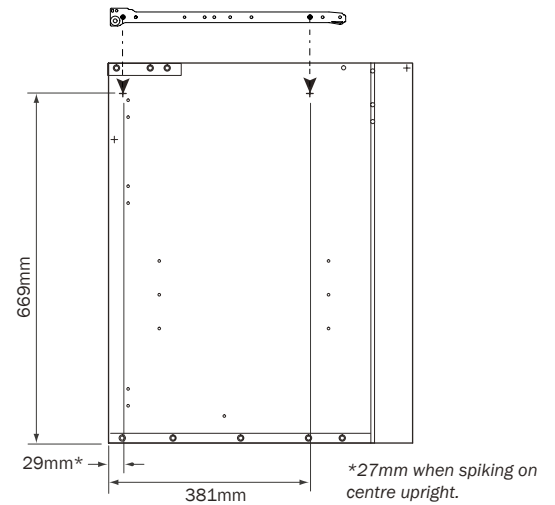
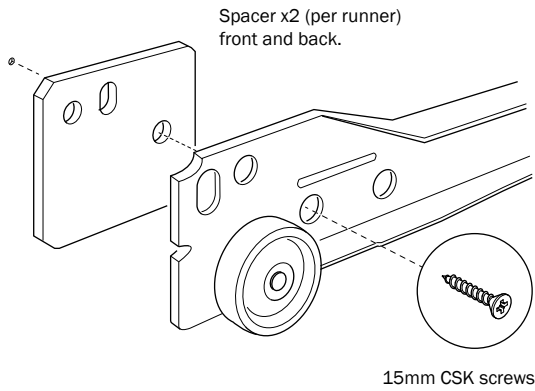
Use spacers when fitting standard drawer box runners to a contract cabinet (15mm side panels).



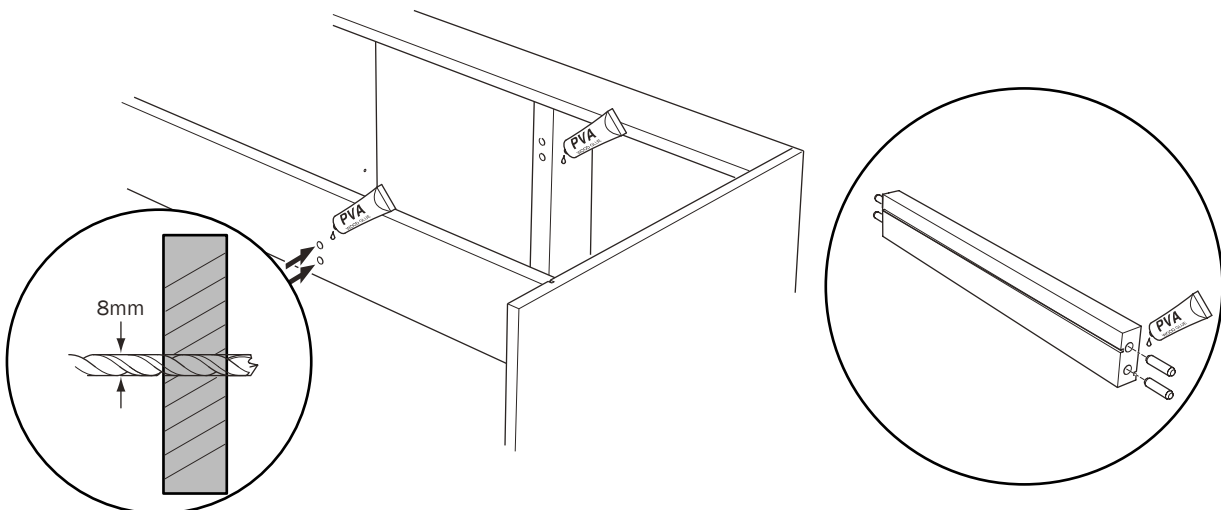
NOTE: Use standard drawer front fixing positions (25mm from edge)



Fit runners to the side panels in required locations.
Fit drawer fronts to drawers.



800/1000 Drawer application



Index

50/50 Tower fridge and freezer (one appliance) options	p158
50/50 Tower fridge and freezer (two appliance) options	p156
500mm and 600mm Bi-fold unit	p89
600mm Pull down shelving - Inclusive kitchens	p203
631 Standard corner wall cabinet left hand/right hand - Wall fitting	p80
70/30 Fridge/freezer door application	p165
70/30 Tower fridge and freezer (one appliance) options	p160
800/900/1000 Hi-line and drawer-line corner cabinets	p22
800/900/1000 Hi-line, drawer-line and larder corner cabinets	p24
931 Corner base cabinet	p25
931 Corner base cabinet - Assembly	p26
Alternative cabinet leg	p18
Appliance door applications - Integrated Handle	p115
Appliance tower cabinet,	
Fixing to wall and connecting	p78
Additional shelf pack	p123
Cabinet modifications - Back panel	p124
Cabinet modifications - Fitting a top box	p125
How the cabinet is supplied	p122
Installation - Hints and tips	p126
Aventos flap stay mechanism	p90
Backboards - Fitting	p102
Base cabinets,	
Connecting and levelling	p33
Fixing brackets	p19
Level H kitchens - Assembly	p107
Wall fixing	p33
Wall fixing - Inclusive kitchens	p202
Blanking panel application guide	p28
Bosch installation,	
Washing machine	p169
Washer dryer	p170
Built-under oven housing,	
Assembly	p29
Drawer	p30
Leg conversion kit	p32
Wall fixing	p33
Cabinet installation fittings	p6-7
Cabinet leg	p16-17
Clearance dimensions - Wall cabinets	p79
Compact oven and two drawer application	p153
Concealed hanging brackets - Deep wall cabinet	p21
Connecting and levelling - Base cabinets	p33
Contract kitchens rigid cabinet	p212
Corner base cabinet centre upright fixing	p20
Corner base cabinet fillet fixing - Integrated handles	p112
Corner base cabinet - Asymmetrical fillet	p22
Corner base cabinet - Symmetrical fillet	p23
Corner larder	p24
Corner wall filler rail	p81
Cornice,	
Fixing	p97
Alternative fixing method	p97
Curved base decor end and door fixing - Integrated handle	p119
Curved base cabinet	p195
Curved corner post	p194
Curved deep wall cabinet	p197
Curved plinth - Joining	p199
Curved wall cabinet	p196
Decor end panels - Fixing	p96
Deep wall cabinets - Planning dimensions	p9
Deep wall cabinet corner - Planning dimensions	p13
Deep wall cabinet,	
Concealed hanging brackets	p21
Fitting	p83
Double oven,	
Appliance tower	p128
Midi tower	p179
Double oven with additional appliance and drawer	p131
Drawer box packs,	
Internal drawers - Deep and shallow drawer box assembly	p68
Internal drawers for profile system	p75
Standard drawer box - Assembly	p60
HL cabinet application	p62
Pan drawer front fixing	p70
Tower internal drawers - Standard and deep drawer	p76
Upgrade drawer box for profile system	p71
Upgrade drawer box pack - Non-soft close	p65
Upgrade drawer box pack - Soft close	p66
Upgrade drawer box pack - Soft close and non-soft close	p63
Fillet fixing,	
Corner base cabinet - Integrated Handle	p112
'L' shaped corner wall cabinet	p81
Finishing touches	p110
Floor mounted wall units - Wall fixing	p33
Full height larder fridge/freezer options	p163
Half height frontals	p171
Handle fixing	p110
Hinges,	
Adjustment	p103
Fitting	p103
Installation and adjustment	p104
Magnetic catch - Push to open	p106
Soft close de-activation switch	p105
Upgrade soft close	p104
Hints and tips	p5
Hob wall/half-height wall/bridging cabinet	p87
Hob wall cabinet,	
Level H kitchens - Assembly	p109
Modification for microwave housing	p86
Inclusive kitchens,	
600mm Pull down shelving	p203
Adjustable wall bracket	p205
Adjustable worktop bracket	p209
Base cabinet wall fixing	p202
Caster assembly	p208
Leg and plinth fixing	p206
Pull-out worktop application	p210
Integrated handles,	
Jointing plate	p113
Appliance door applications	p115
Corner base cabinet fillet fixing	p112
Curved base decor end and door fixing	p119
Pull out larder bracket	p114
Installation fittings	p7
Internal drawers - Deep and shallow drawer box assembly	p68
Jointing plate - Integrated Handle	p113
Larder cabinet,	
Fixing to wall and connecting	p78
Level H kitchens - Assembly	p107
Larder option,	
Appliance tower	p166
Midi tower	p191

Index

Level H kitchens,	
Base cabinet	p107
Hob wall cabinet	p109
Larder cabinet	p107
Wall cabinet	p108
Linear look,	
Linear look	p54
Linear Look - Profile kitchen	p56
Return plinth - Re-positioning of legs	p58
'L' shaped corner wall cabinet	p82
Microwave/compact oven,	
Appliance tower	p144
Midi tower	p185
Microwave/compact oven with additional appliances	p147
Microwave/compact oven with fridge/freezer	p149
Microwave/compact oven with warming drawer,	
Appliance tower	p151
Midi tower	p187
Mid shelf support - 800/900/1000 cabinets	p19
Midi fridge/freezer options	p189
Midi tower cabinet,	
Additional shelf pack	p177
Cabinet modifications	p177
How the cabinet is supplied	p176
Installation - Hints and tips	p178
Pan drawer front fixing	p70
Pelmet - Fixing	p97
Pilasters	p98
Planning dimensions	
Deep wall cabinets	p9
Deep wall cabinet corner	p13
Profile kitchens	p10
Profile kitchens - Larder	p11
Standard cabinets	p8
Standard wall cabinet corner	p12
Plinth drawer adaptor kit	p94
Plinths,	
Curved - Joining	p199
Drawer adaptor kit	p94
Fixing	p91
Inside corner	p91
Integrated dishwasher	p92
Plinth vent	p93
Return plinths	p92
Sealer strip	p93
Straight run	p91
Pre-build,	
Cabinet	p19
Cabinet leg	p16-17
Corner base cabinet centre upright fixing	p20
Deep wall cabinet	p21
Mid shelf support	p19
Wall cabinets	p79
Wall fixing brackets - Base cabinets	p19
Worktop fixing brackets	p19
Profile kitchens,	
2 Piece fillet application	p44
350/450 Drawer - Length 450mm	p40
Appliance - Length 600mm	p42
Dishwasher installation	p52
Drawer - Length 3000mm	p40
Dummy drawer - Length 597mm	p43
Corner larder	p50
End larder - Length 1942mm/2122mm	p37
External corner post	p48
External corner return - Appliance application	p47
External corner return - Plinth application	p46
Half height frontal	p173
Internal drawers for profile system	p75
Mid larder - Length 1942mm/2122mm	p38
Overview	p36
Planning dimensions	p10
Planning dimensions - Larder	p11
Upgrade drawer box for profile system	p71
Worktop - Length 3000mm	p39
Pull out larder bracket - Integrated Handle	p114
Shelf installation,	
Standard wall cabinets	p85
Deep wall cabinets	p85
Single oven,	
Appliance tower	p133
Midi tower	p181
Single oven with additional appliance and drawer	p137
Single oven with warming drawer and additional microwave,	
Appliance tower	p139
Midi tower	p183
Sink unit - Fitting	p102
Standard drawer box pack	
Assembly	p60
HL cabinet application	p62
Standard cabinets - Planning dimensions	p8
Standard cabinet corner - Planning dimensions	p12
Standard wall cabinet left hand/right hand - Wall fixing	p80
Tall glass wall unit with spice drawer	p85
Top box - Fitting	p125
Tower fridge or freezer options	p154
Tower internal drawers - Standard and deep drawer	p76-77
Tower pull-out 5th leg fixing	p18
Upgrade drawer box pack,	
Non-soft close	p65
Soft close	p66
Soft close and non-soft close	p63
Wall cabinet,	
500mm and 600mm Bi-fold unit	p88
Aventos flap stay mechanism	p90
Clearance dimensions	p79
Corner wall filler rail	p81
Deep wall cabinets - Fitting	p83
Fixing and connecting	p84
Hob wall cabinet - Modification for microwave housing	p86
Hob wall/Half-height wall/Bridging cabinet	p87
'L' shaped corner wall cabinet	p81
Level H kitchens - Assembly	p108
Pre-build	p79
Tall glass wall unit with spice drawer	p85
Wall bracket - Inclusive kitchens	p205
Wall fixing,	
600 Built-under oven housing and floor mounted wall units	p33
631 Standard corner wall cabinet left hand/right hand	p80
Appliance towers	p78
Brackets - Base cabinets	p19/33
Deep wall cabinets	p83
Larder	p78
'L' Shaped corner cabinet	p81
Standard corner wall cabinets - Fitting	p82
Standard wall cabinet left hand / right hand	p80
Worktop bracket - Inclusive kitchens	p209
Worktop fixing bracket	p19
Worktop,	
Fixing	p100
Cutting and fixing	p101

