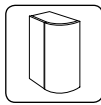


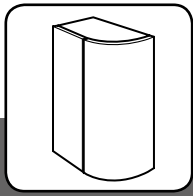
Section 8

Curved units



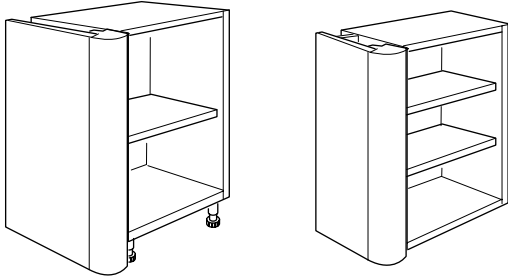
Curved units

Curved corner post	page 194
Curved base cabinet	page 195
Curved wall cabinet	page 196
Curved deep wall cabinet	page 197
Curved plinth - Joining	page 199



Section 8 - Curved units

Curved corner post



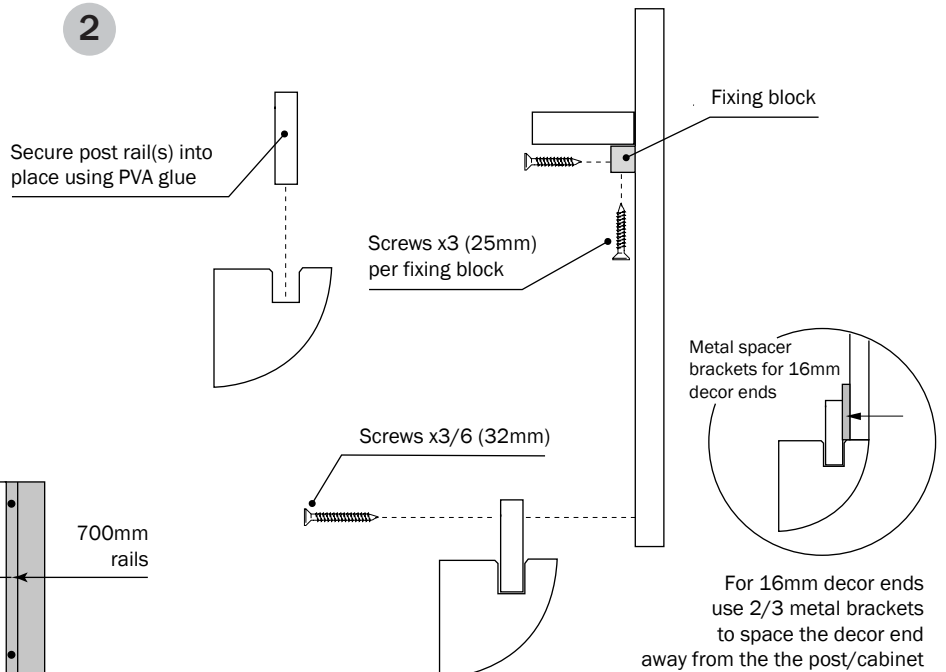
Assembly

- 1** x3 Rails supplied (700mm in length) for both post rail and back rail. Cut and use rails appropriate to the height of your post/decor end (see diagrams below).

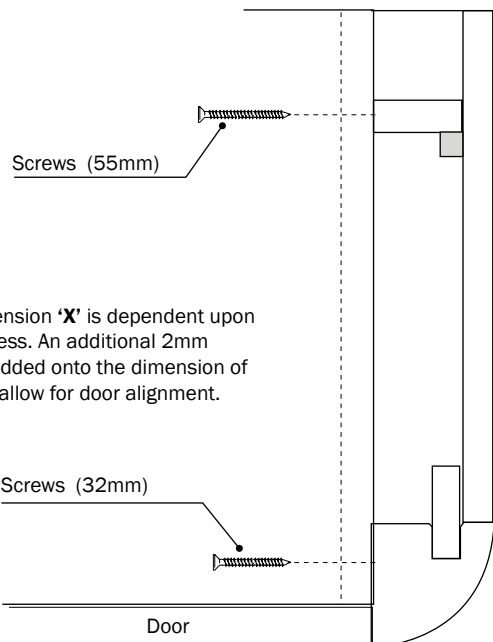
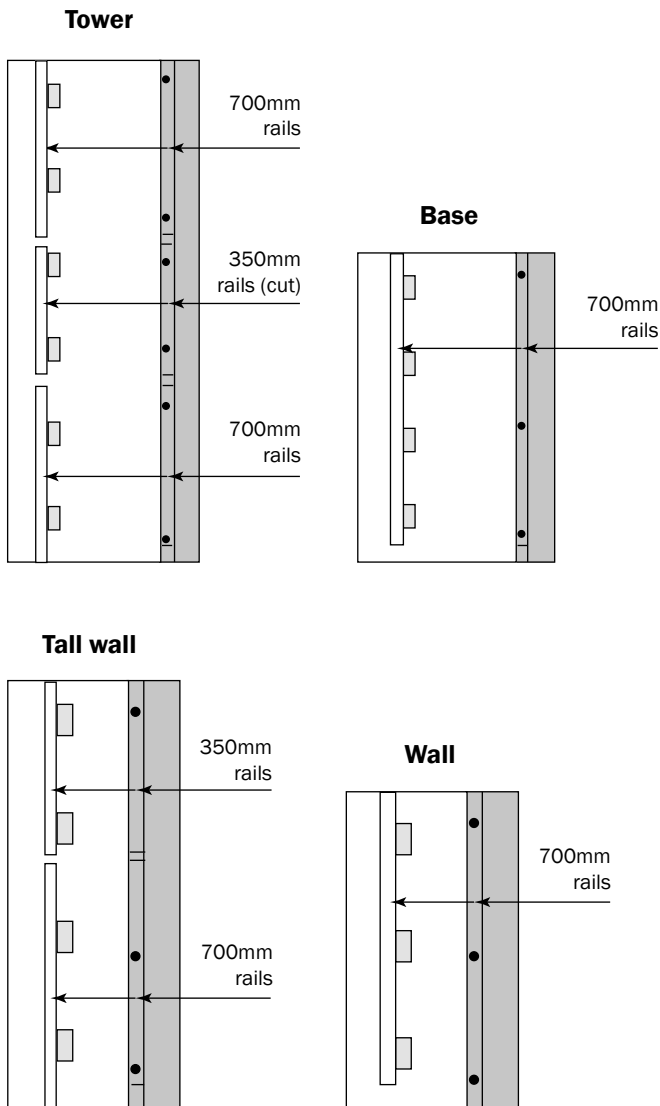
Measure and cut post and decor end dependent on cabinet application, making sure allowance is made for any scribing to the wall requirements.

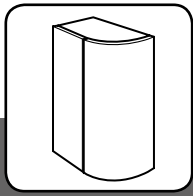
IMPORTANT: To reduce the risk of damage to cut edges due to moisture ingress (where they are exposed to moisture) all raw edges must be sealed using a waterproof varnish or PVA.

2



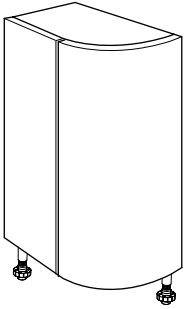
3





Section 8 - Curved units

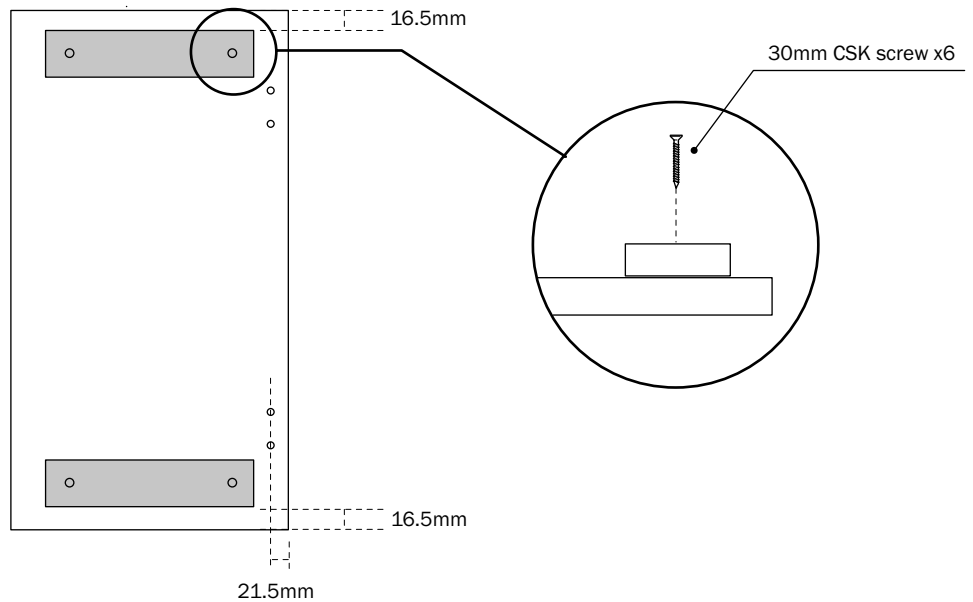
Curved base cabinet



Assembly

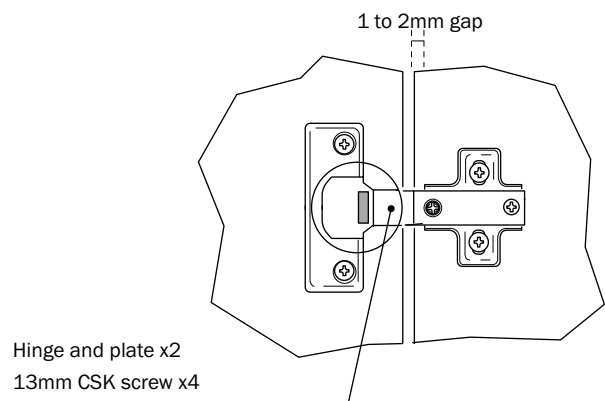
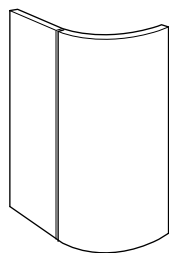
For fixing the legs to your cabinet, see **page 16-17**.

- 1** Fit battens to the decor panel.

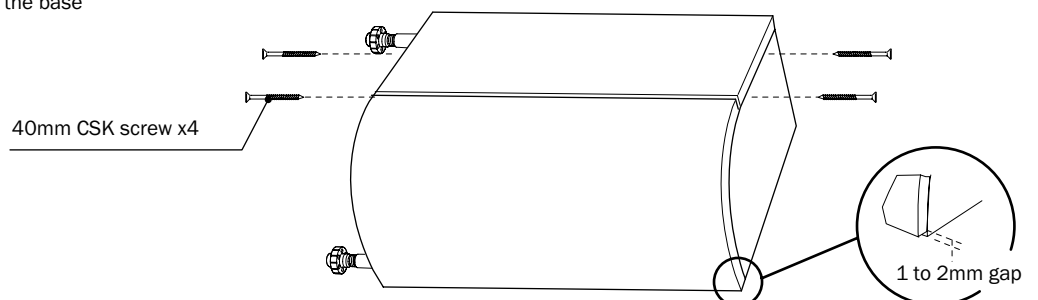


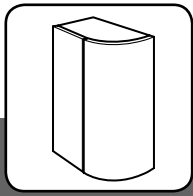
- 2** **Curved base soft close hinge pack required**

Fit the hinge and plate to the door and decor panel.



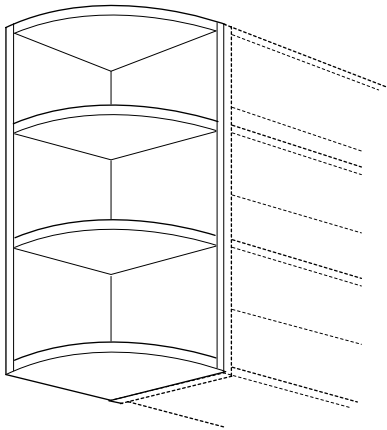
- 3** With the base cabinet laid flat, secure the decor panel and door using screws through the base and top shelf and into the battens.





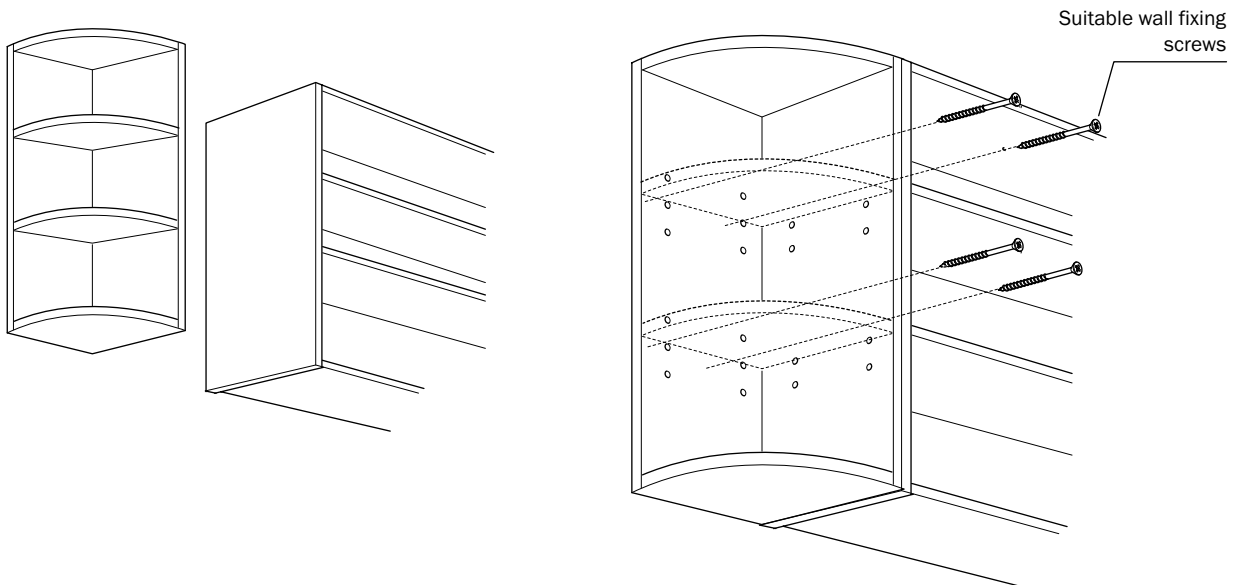
Section 8 - Curved units

Curved wall cabinet



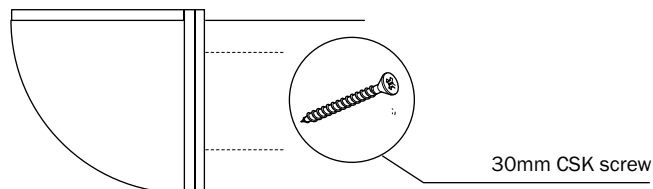
Installation

- 1 Position the curved cabinet to the wall and secure through the back panel using suitable wall fixing screws.
NOTE: Wall fixings can be hidden behind the shelf positions as required. Ensure the cabinet is flush with the adjoining unit side and front edges.



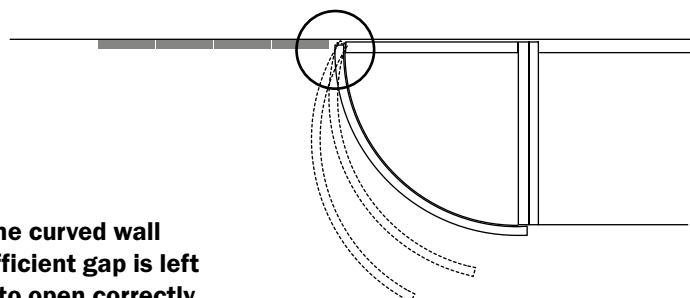
2

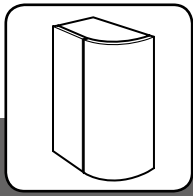
Secure through the adjoining unit and into the curved wall.



30mm CSK screw

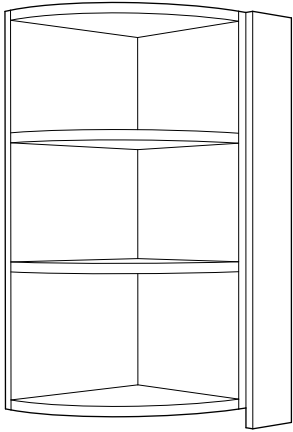
IMPORTANT:
When tiling up to the curved wall cabinet, ensure sufficient gap is left to enable the door to open correctly.





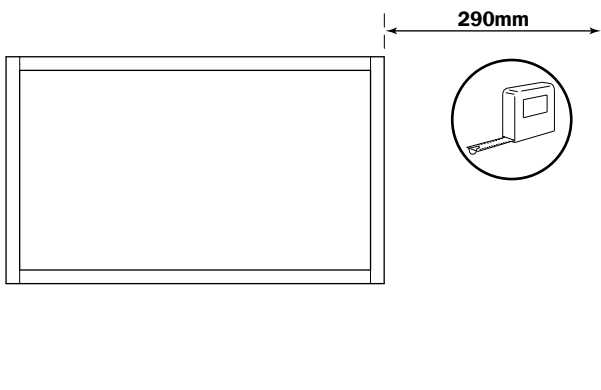
Section 8 - Curved units

Curved deep wall cabinet

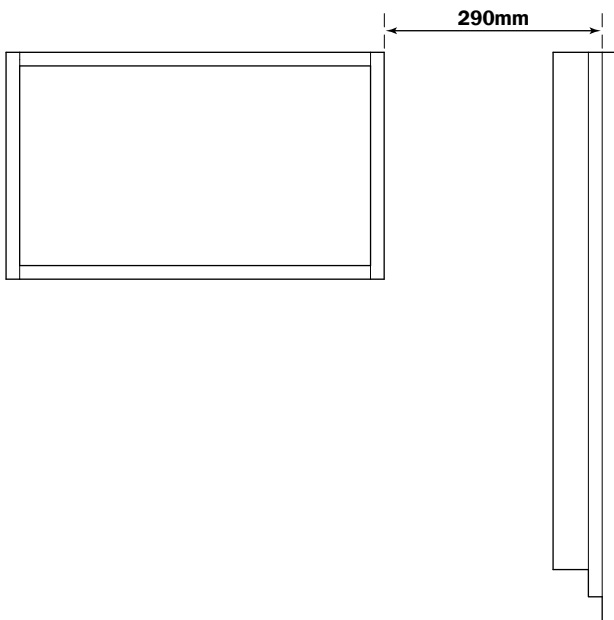


Installation

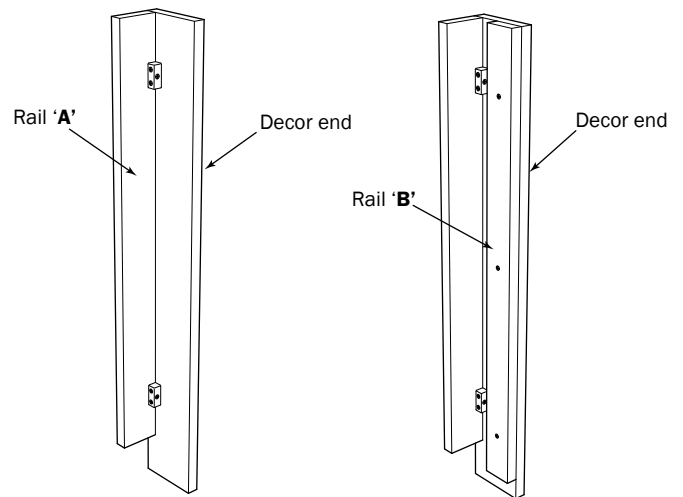
- 1** Mark out vertical line **290mm** from adjacent cabinet.



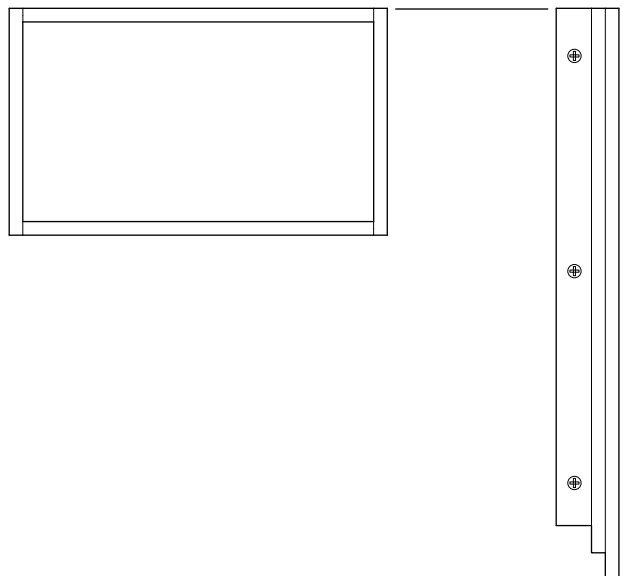
- 3** Align inside of decor end panel with the line at **290mm** from adjacent cabinet.

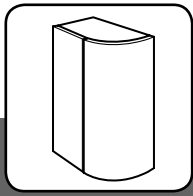


- 2**
1. Fit rail 'A' to deep curved decor end using KD blocks ensuring the top of the rail is aligned with top of decor end.
 2. Fit rail 'B' to deep curved decor end using 25mm screws ensuring the top of the rail is aligned with top of decor end.



- 4** Fix rail 'A' to wall ensuring top of rail aligns with top of adjacent cabinet.
NOTE: Wall fixing screws have not been provided with this unit due to different wall types requiring different fixings.

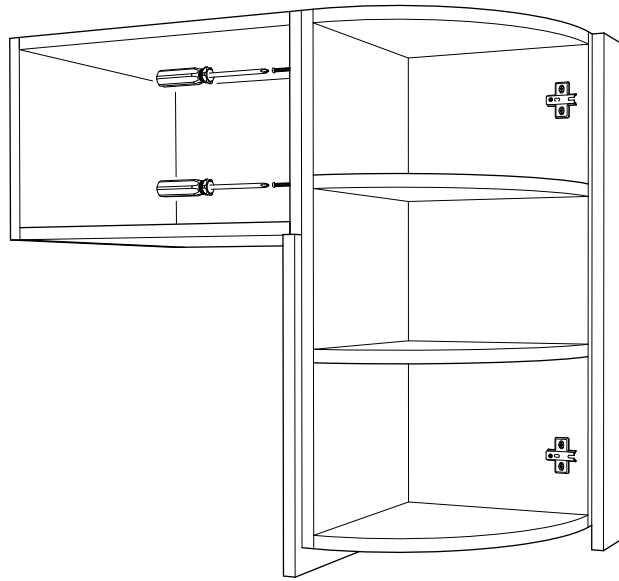




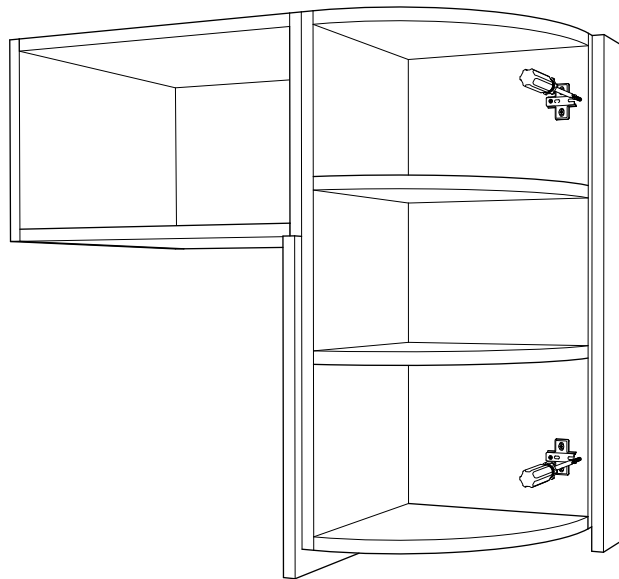
Section 8 - Curved units

Curved deep wall cabinet

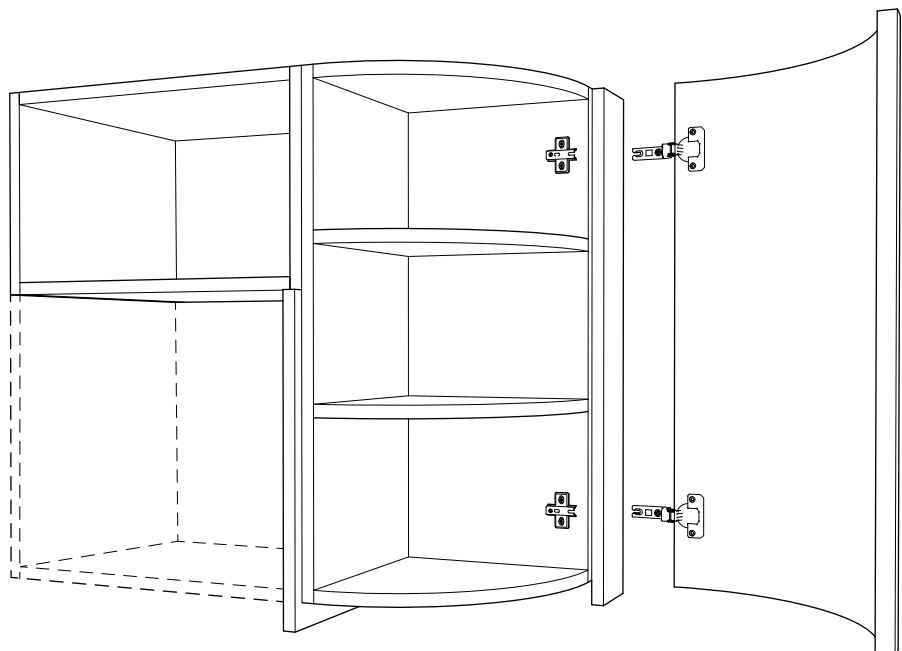
- 5** Fix curved wall cabinet end panel to adjacent cabling 25mm screws.

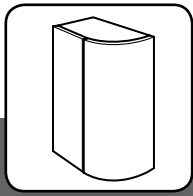


- 6** Fix curved wall back panel to rail 'B', (to right of hinge plate ensures a secure fit).



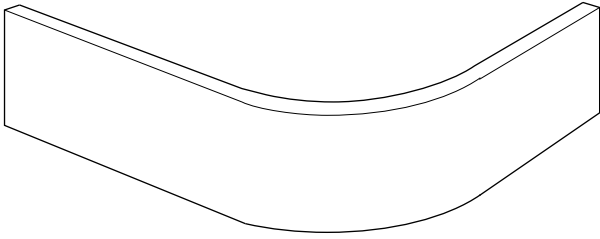
- 7** Fit door with standard hinges. (Full height cabinet shown in dotted line).





Section 8 - Curved units

Curved plinth - Joining



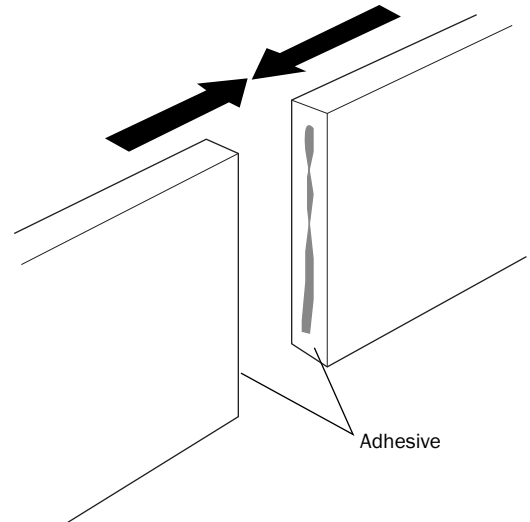
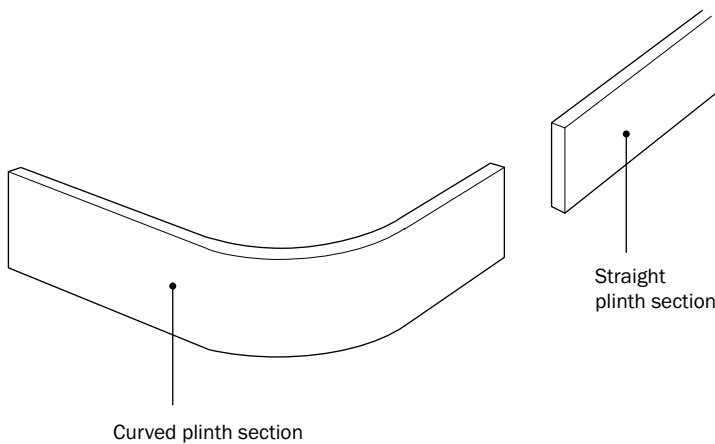
Corner post cap and cornice/pelmet fixed in the same way.

Assembly

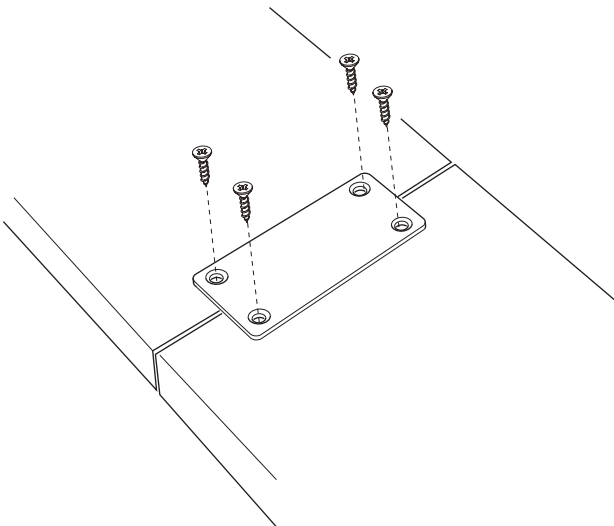
Align the curved plinth section to the side of the curved cabinet base and scribe the end to the wall as required. **Mark and fit plinth clips to the back of the plinth sections as shown.**

IMPORTANT: To reduce the risk of damage to cut edges due to moisture ingress (where they are exposed to moisture) all raw edges must be sealed using a waterproof varnish or PVA.

- 1 Apply a two part adhesive to the adjoining ends of the plinth sections and fit together.
NOTE: Make sure sections are flush.



- 2 Fit a metal plate to the back of the plinths to secure the joint.



- 3 Position the curved plinth assembly to the cabinet run and clip onto the cabinet leg sections.

