

Bedrooms Installation Manual



IMPORTANT

- Howdens bedroom range is a fitted offer and MUST be secured to the wall.
- Cabinets MUST be assembled on their side.
- When fitting panels together, make sure the cam fittings are fully engaged with the adjoining panel before locking the cams in place.
- Cabinets should be fitted on a solid sub-floor.
- Do not fit cabinets onto a carpet. Carpet should be cut around the cabinets where required.
- Wardrobe cabinets should be assembled and fitted by two people.
- Furniture has been tested in accordance to Bedroom standards BS4875 - 7 2006 & BS EN 14749:2016+A1:2022.
- Decor end panels should be fitted to the cabinets and scribed to the wall around skirting boards as required.
- Be aware of ceiling heights when planning and fitting the wardrobe - See page 4 for details.
- Bedroom accessory items should be fitted in accordance with the leaflet provided with the product.
- Runners MUST be fully engaged at the back of the drawer and with the brackets on the underside of the drawer.

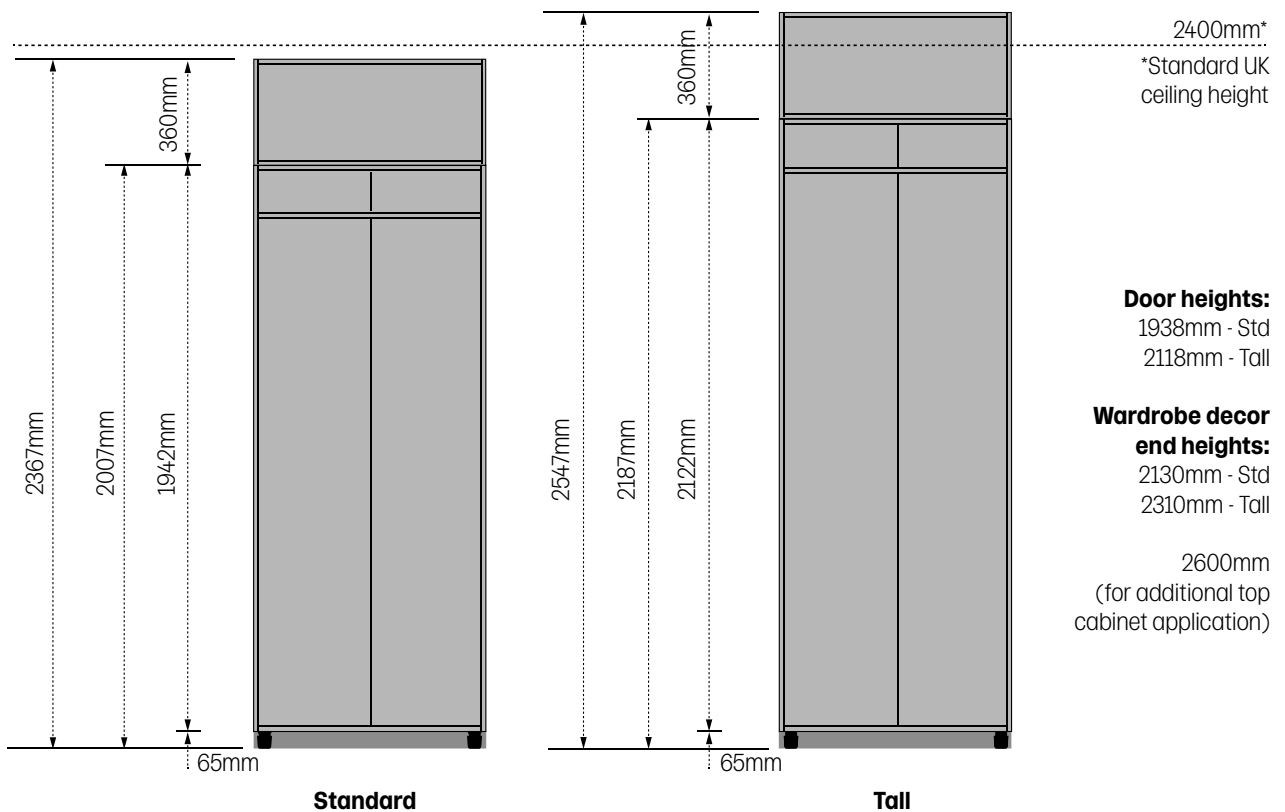
Contents

Section 1	Planning Options	Page 4
Section 2	Configurations	Page 6
Section 3	Cabinet Assembly	Page 8
	Wardrobes	Page 8
	Wardrobe top cabinet	Page 10
	Chest of drawers	Page 12
	Cabinet feet	Page 14
Section 4	Cabinet Installation	Page 15
	Wardrobe corner application	Page 15
	Decor end/top panel fixing	Page 16
	Plinth fixing	Page 16
	Securing cabinets to the wall & connecting	Page 17
Section 5	Drawers	Page 18
	Drawer box assembly	Page 18
	Drawer front fixing	Page 19
	Cabinet runner positions	Page 20
	Drawer fitting	Page 21
	Drawer adjustment	Page 21
Section 6	Doors and Hinges	Page 22
	Hinge fixing and door adjustment	Page 22
Section 7	Accessories	Page 23
	Shoe shelf	Page 23
	Fixed shelf & hanging rail positions	Page 24
	Cornice Fixing	Page 25
	Cover caps, shelf pegs, bumpons & brackets	Page 25
	Mirror location and fitting	Page 26

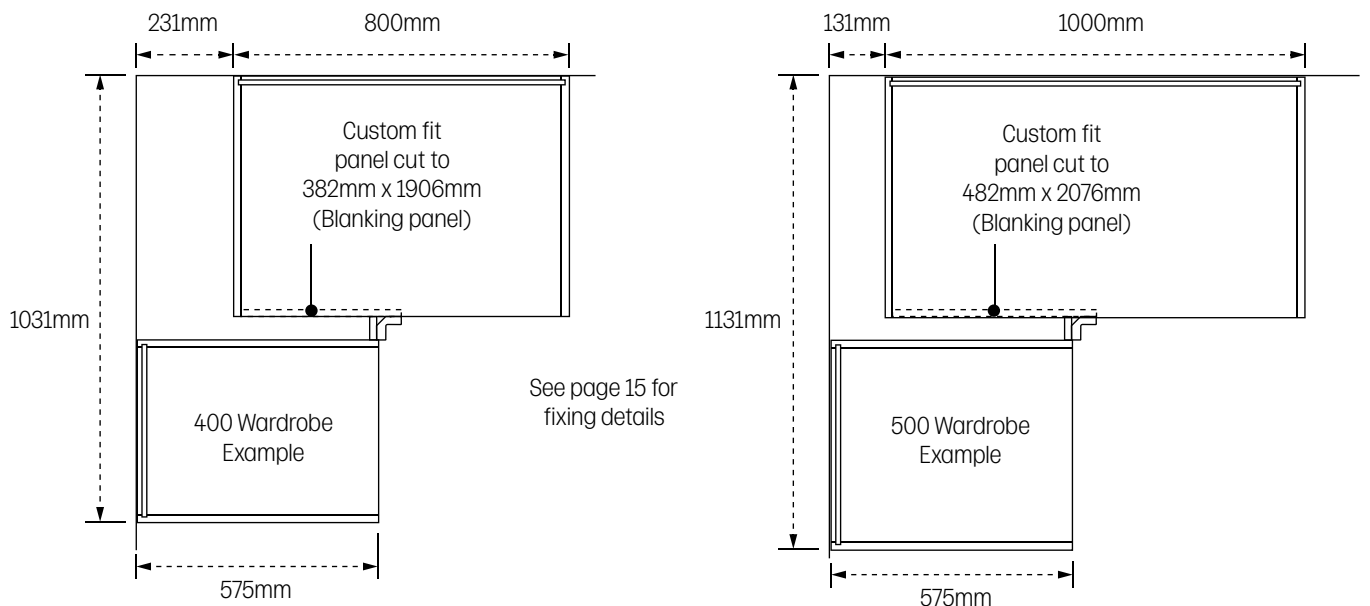
Planning Options

- When planning your bedroom layout, ceiling heights must be taken into consideration.
- Cabinets must be secured to the wall using suitable wall fixings.
- Decor ends should be fitted to the sides of the cabinets to match the door/drawer being fitted. In a run of cabinets this needs to be taken into consideration, making sure the decor end panel thickness is added onto your run. Decor ends may also be used for top panels.
- Additional ceiling height is required when standing the wardrobes upright. (additional 100mm clearance)
- If fitting a cornice to the wardrobe, allow additional height.

Wardrobes - Ceiling and unit height examples



Wardrobes - Corner planning

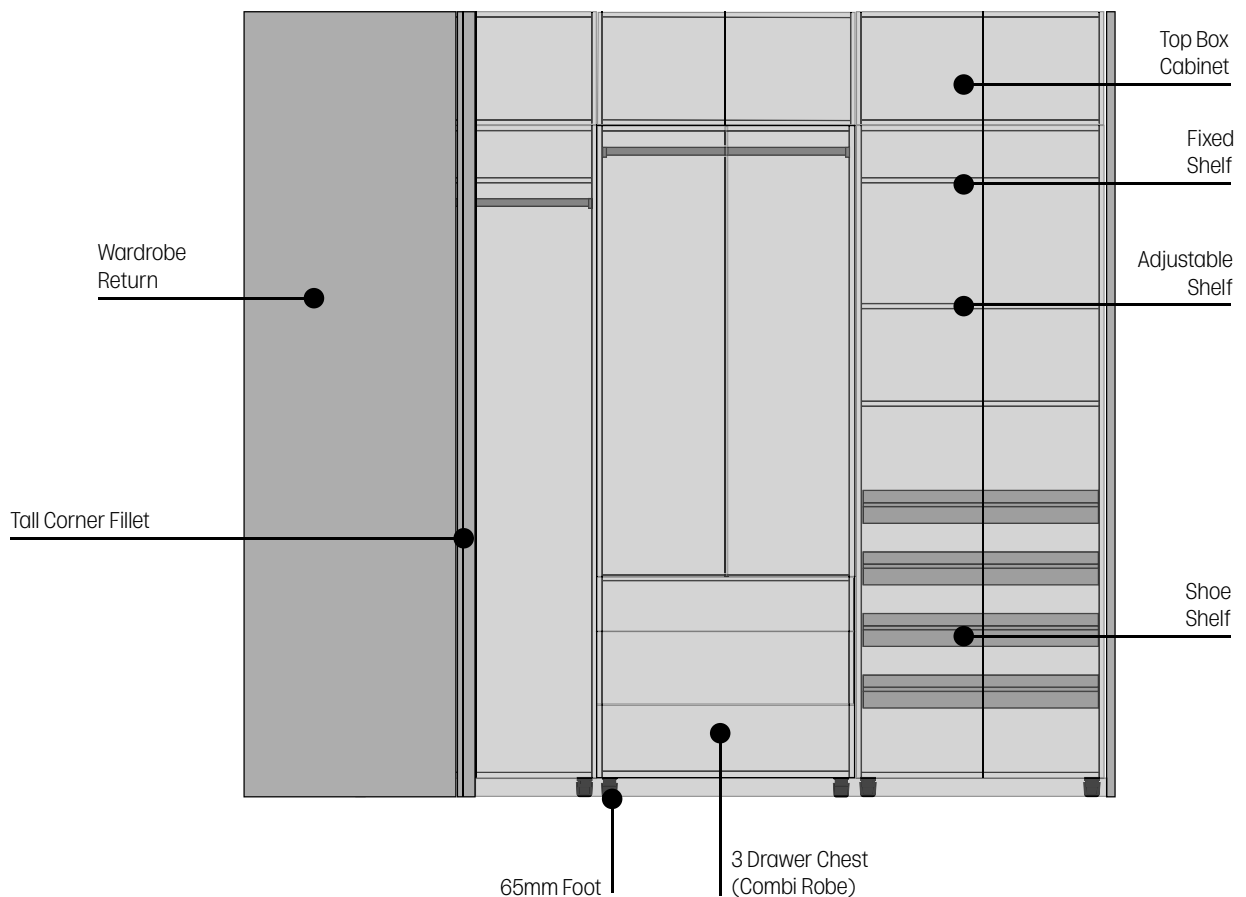
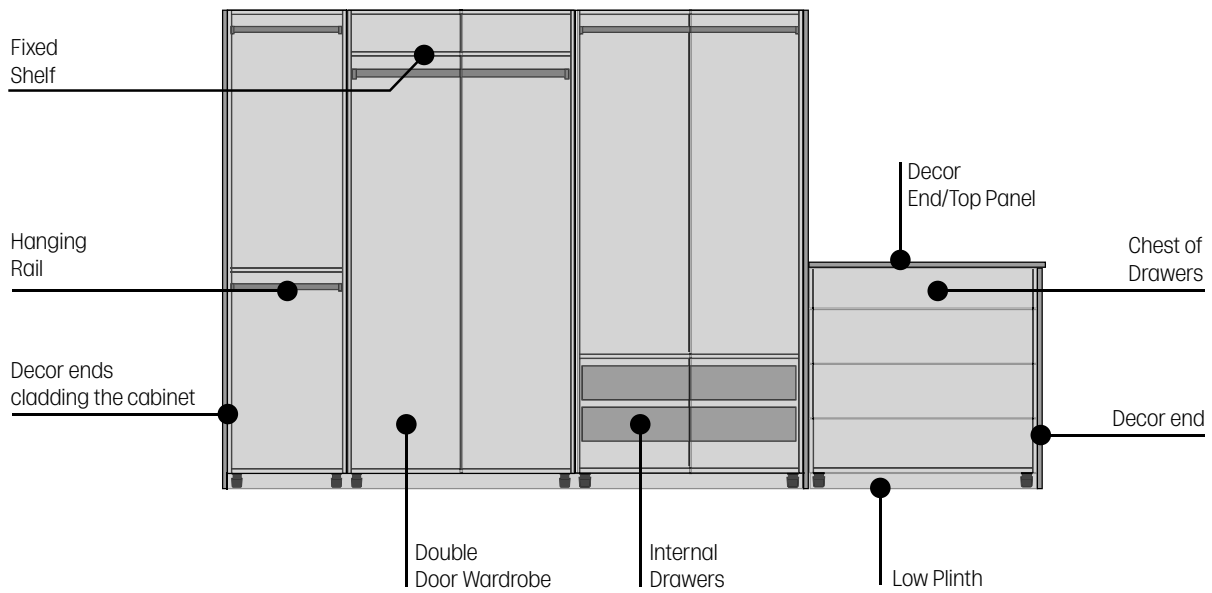


Planning Options

1

Shown below are some examples of how fitted bedroom units can be configured. There are many different options, plus a range of internal accessory items which can add to the storage and functionality of the bedroom.

Bedroom Cabinets - Accessory items & unit planning



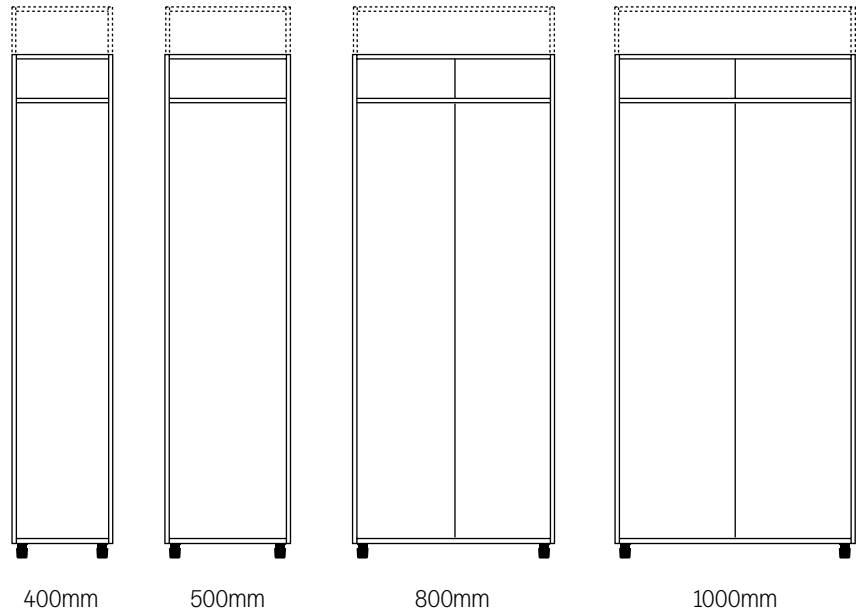
Configurations

Wardrobes Height Options

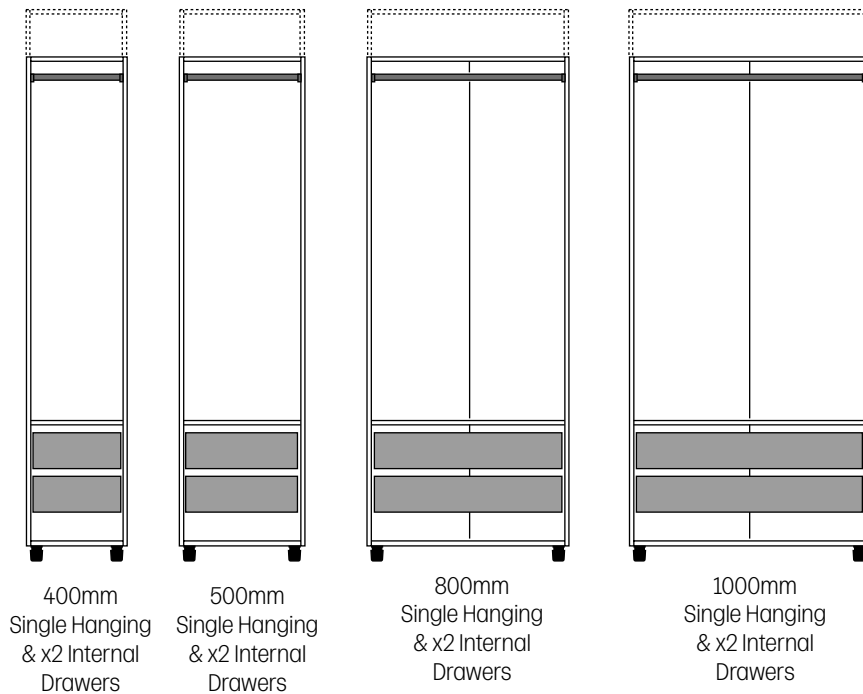
(foot height 65mm)



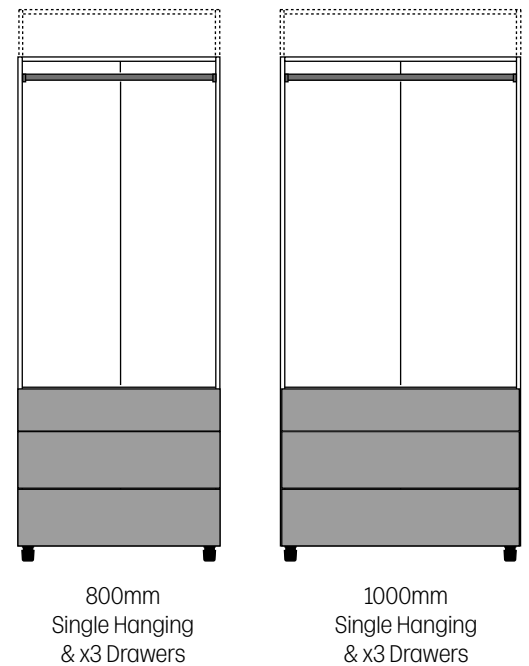
Wardrobes (575mm depth) - Core Cabinets



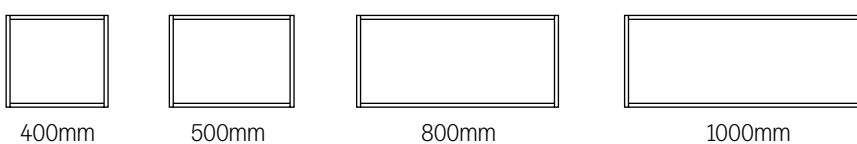
Wardrobes (575mm depth) - Additional Hanging & Drawer Options



Combi Wardrobe Options



Wardrobe Top Unit (360mm high x 575mm depth)



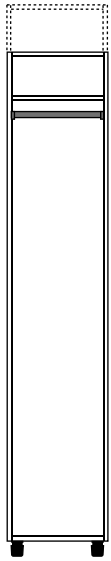
IMPORTANT
Cabinets **MUST** be secured to the wall using suitable wall fixings.

Note: Top units to be secured to the top of the wardrobes to give the additional height required. Fit once wardrobe is in its final location.

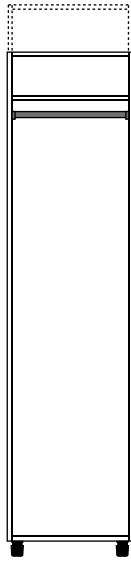
Configurations

2

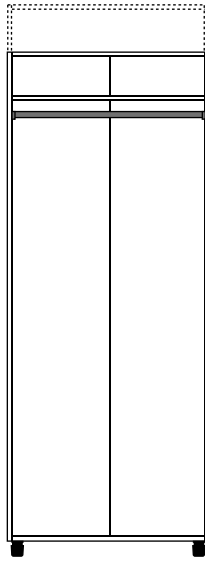
Wardrobes (575mm depth) - Additional Hanging Options



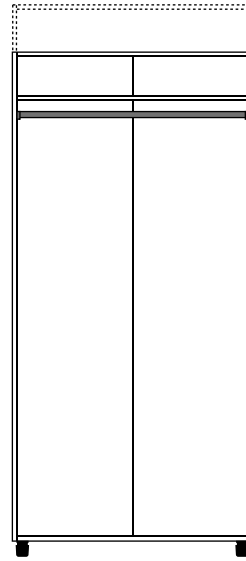
400mm
Single Hanging



500mm
Single Hanging



800mm
Single Hanging

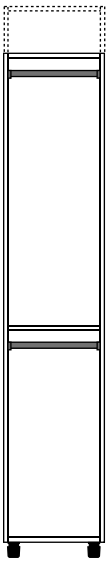


1000mm
Single Hanging

Note: Only one fixed shelf supplied as part of the wardrobe pack.

Additional adjustable shelves can be added.

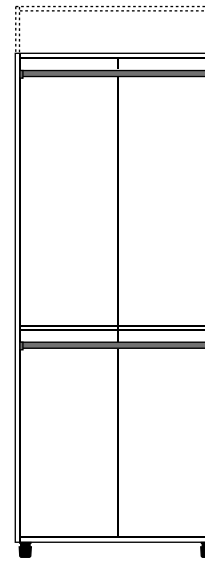
For hanging rail positions see page 24.



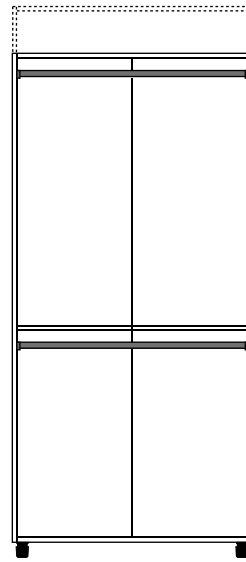
400mm
Double Hanging



500mm
Double Hanging



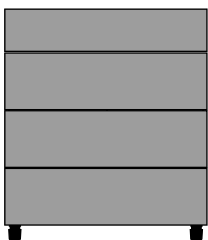
800mm
Double Hanging



1000mm
Double Hanging

Chest of Drawers (998mm high x 510mm depth)

(foot height 65mm)



800mm
4 Drawer
Chest



1000mm
4 Drawer
Chest

Bedside Unit

(360/720mm high x 390mm depth)



400mm
1 Drawer
(Wall Hung)



400mm
2 Drawer



400mm
Hi-Line

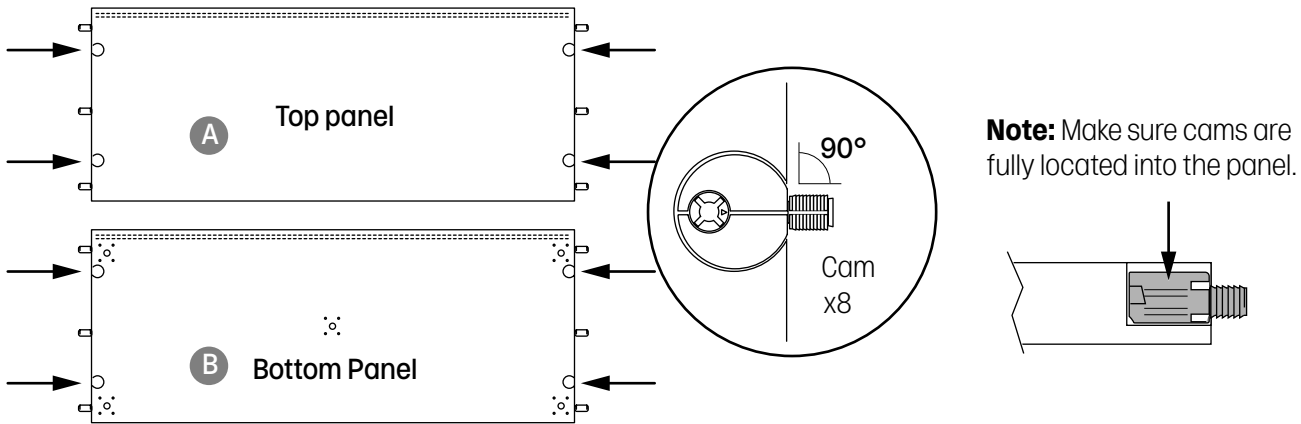
Cabinet Assembly

Wardrobes (Double & single assembly identical)

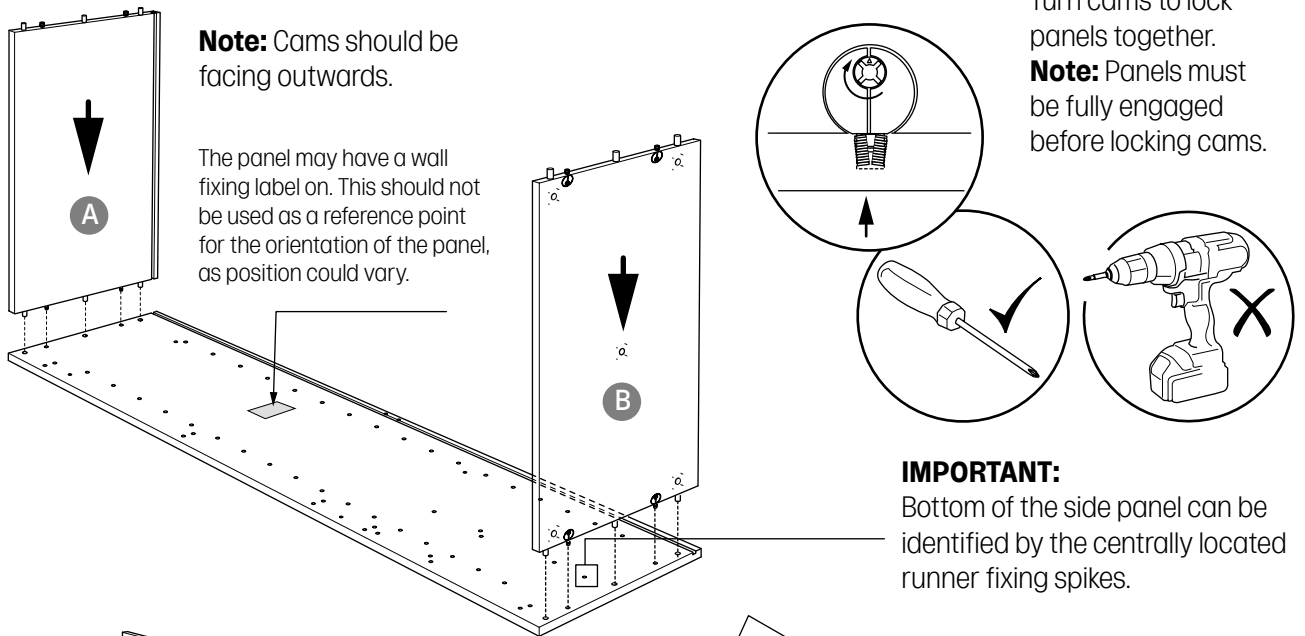
Follow the step by step guide below for cabinet assembly.

IMPORTANT: The cabinet MUST be assembled on its side. PLEASE ENSURE THE TOP AND BOTTOM OF THE SIDE PANELS IS CORRECTLY IDENTIFIED BEFORE ASSEMBLY.

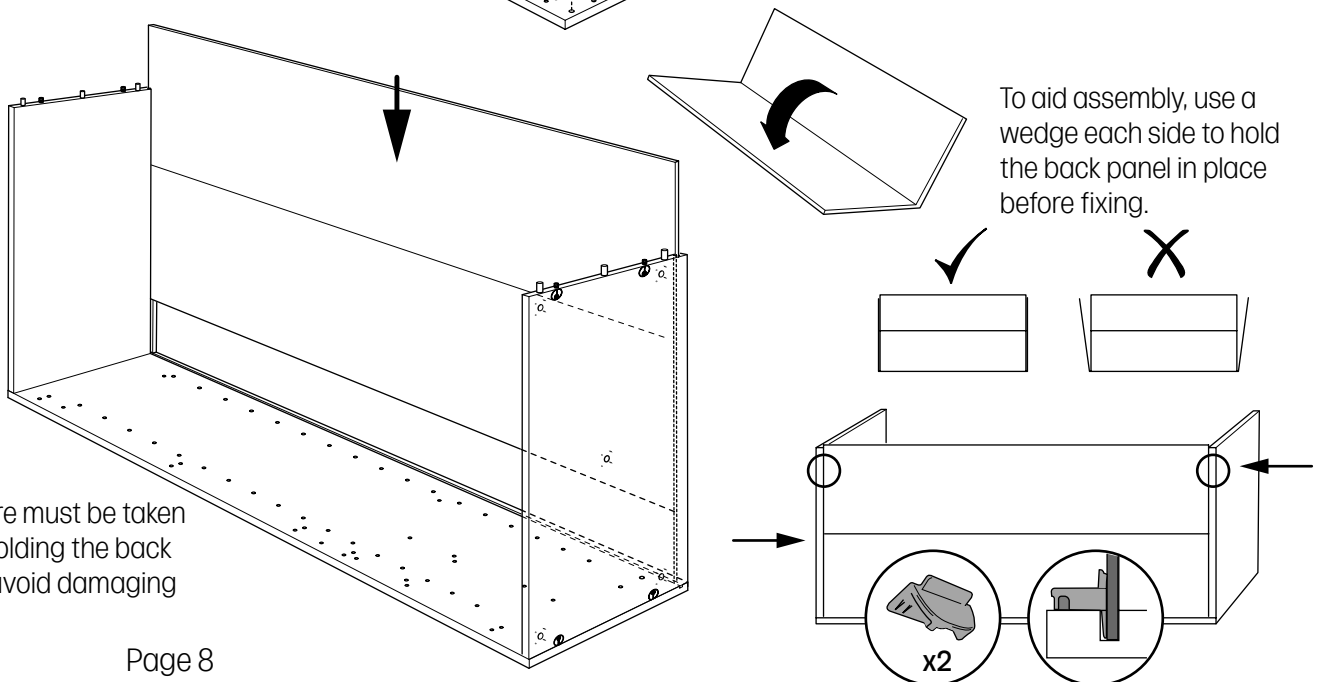
1.



2.



3.



Note: Care must be taken when unfolding the back panel to avoid damaging the join.

Cabinet Assembly

3

4.

Fit back rail with cams facing towards the back of the wardrobe

Back Rail

90°
Cam
x4

Turn cams to lock panels together.

Note: Make sure back panel locates into the groove in the side panel.

5.

6.

4mm

x4

x8

7.

Fit feet & plinth clip.

Note: For foot/clip fitting and adjustment see page 14.

x5

Plinth clip x2

8.

Shelf

VB Cam

Cam Stud
x4

x4

Use a screwdriver to lock cam

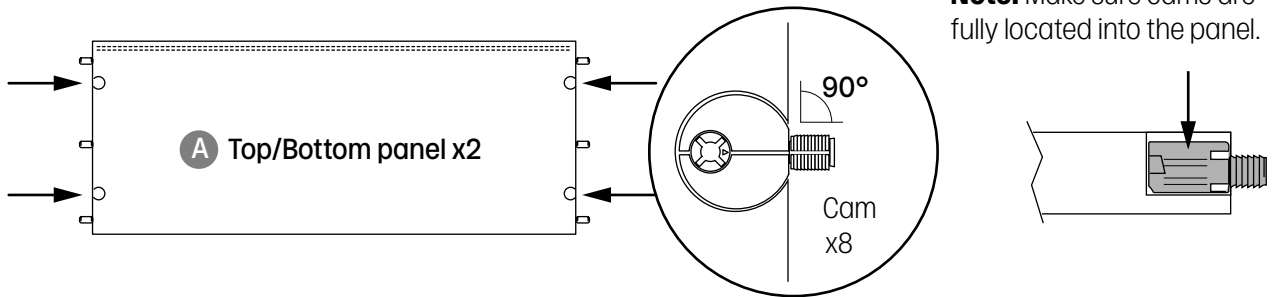
Cabinet Assembly

Wardrobe top cabinet

Follow the step by step guide below for cabinet assembly.

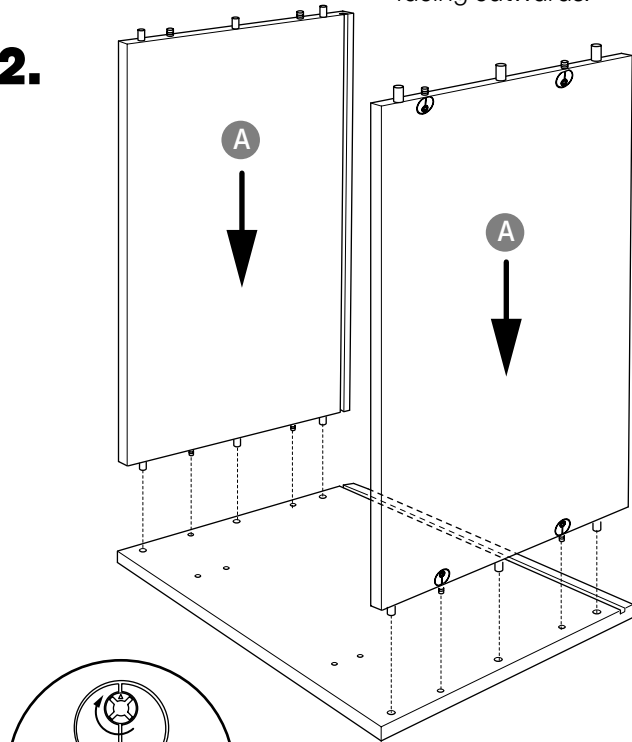
IMPORTANT: The cabinet **MUST** be assembled on its side.

1.

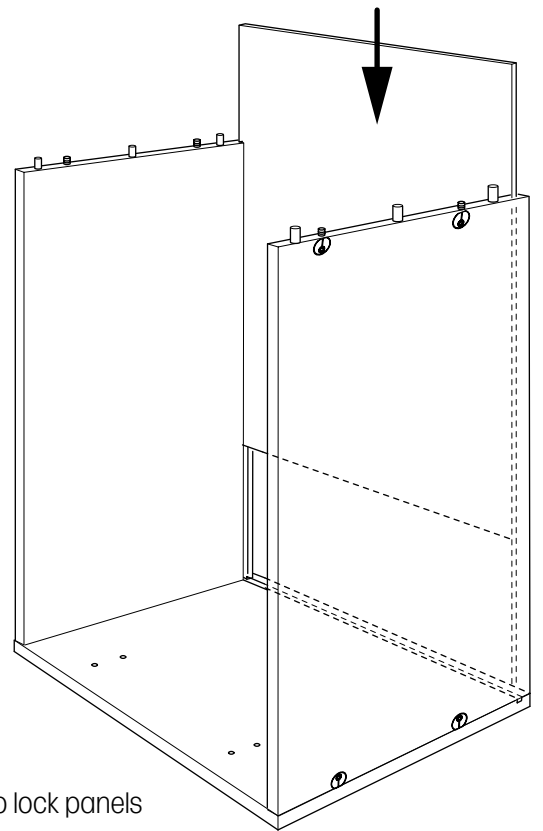


2.

Note: Cams should be facing outwards.

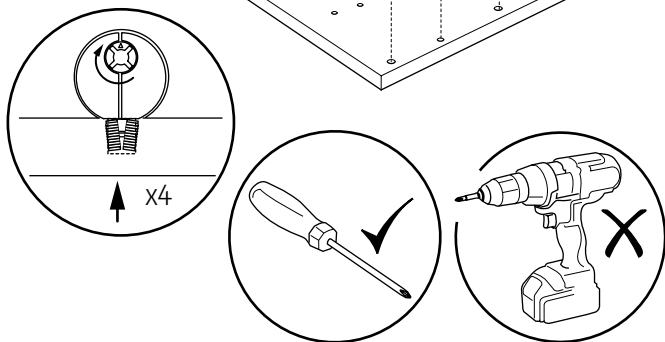


3.



Turn cams to lock panels together.

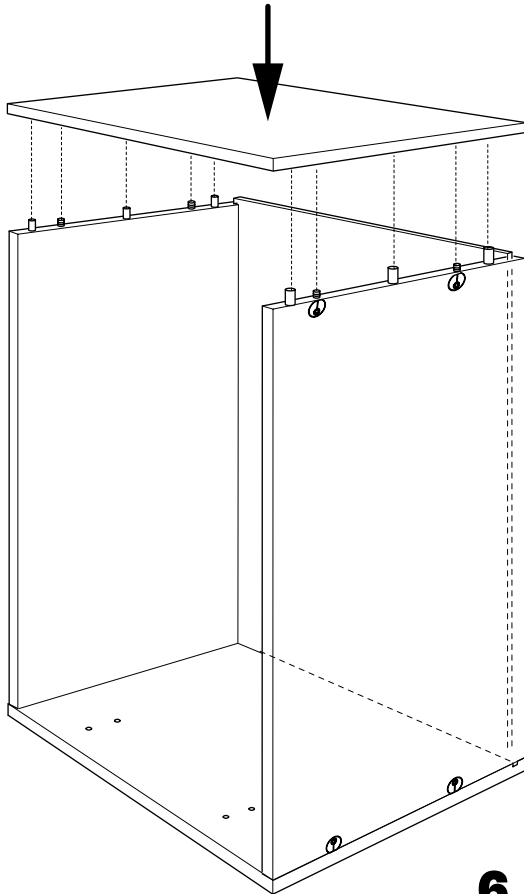
Note: Panels must be fully engaged before locking cams.



Cabinet Assembly

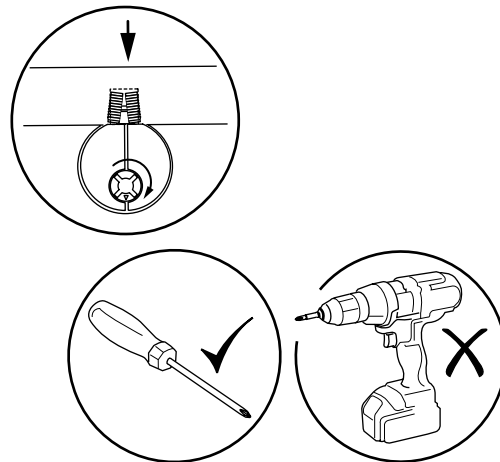
3

4.

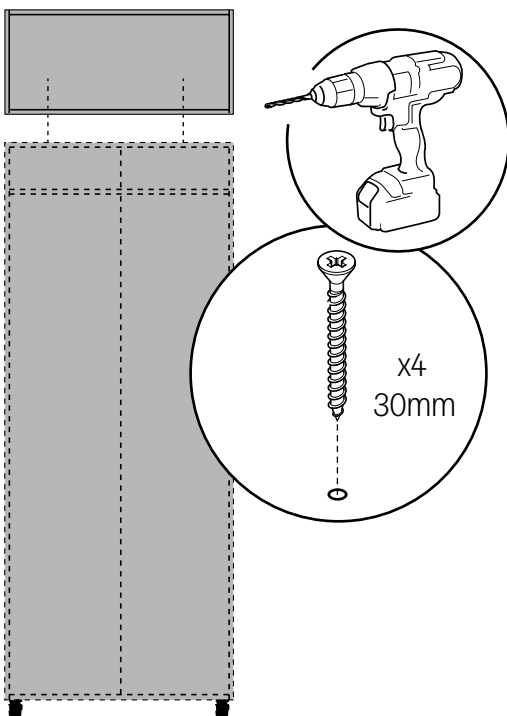


Turn cams to lock panels together.

Note: Make sure back panel locates into the groove in the side panel. Panels must be fully engaged before locking cams.

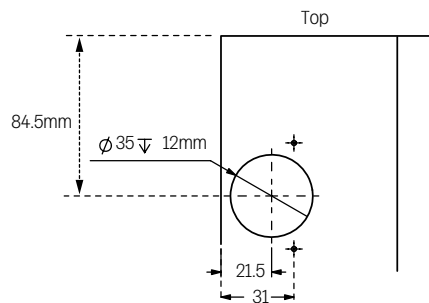


5.



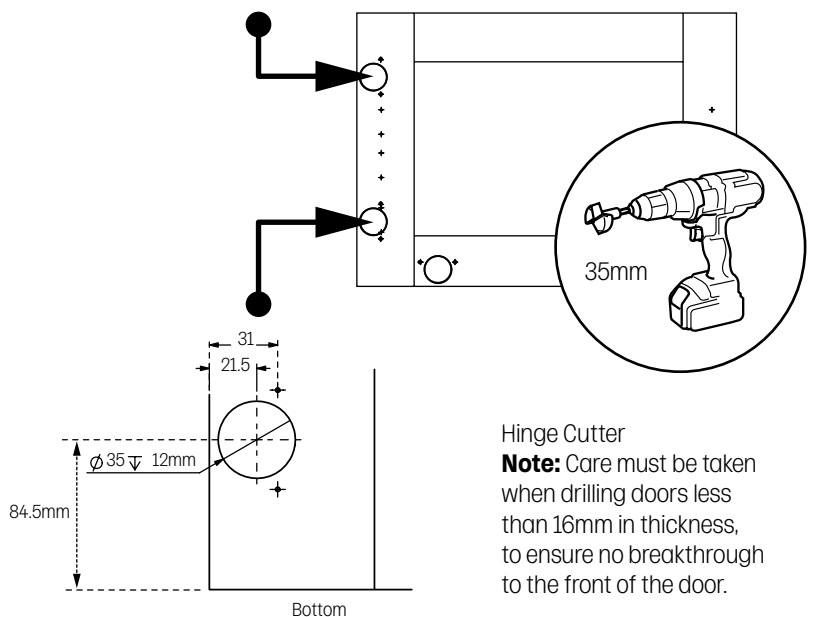
Fit top cabinet to the wardrobe ensuring it is aligned. Clamp the cabinet in place and drill through the top box using screws to secure.

6.



Drill the top cabinet doors for the hinge positions. Ensure measurements are checked before drilling.

Note: Some ranges may have doors pre-drilled.



Hinge Cutter

Note: Care must be taken when drilling doors less than 16mm in thickness, to ensure no breakthrough to the front of the door.

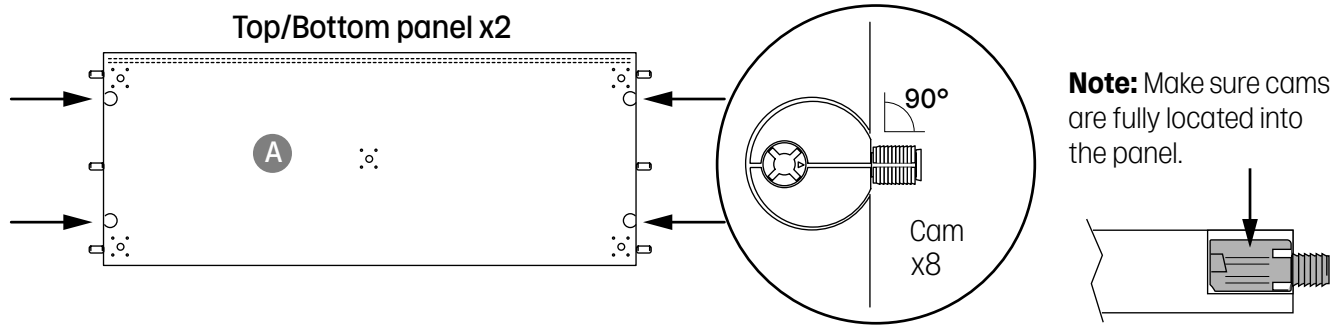
Cabinet Assembly

Chest of drawers

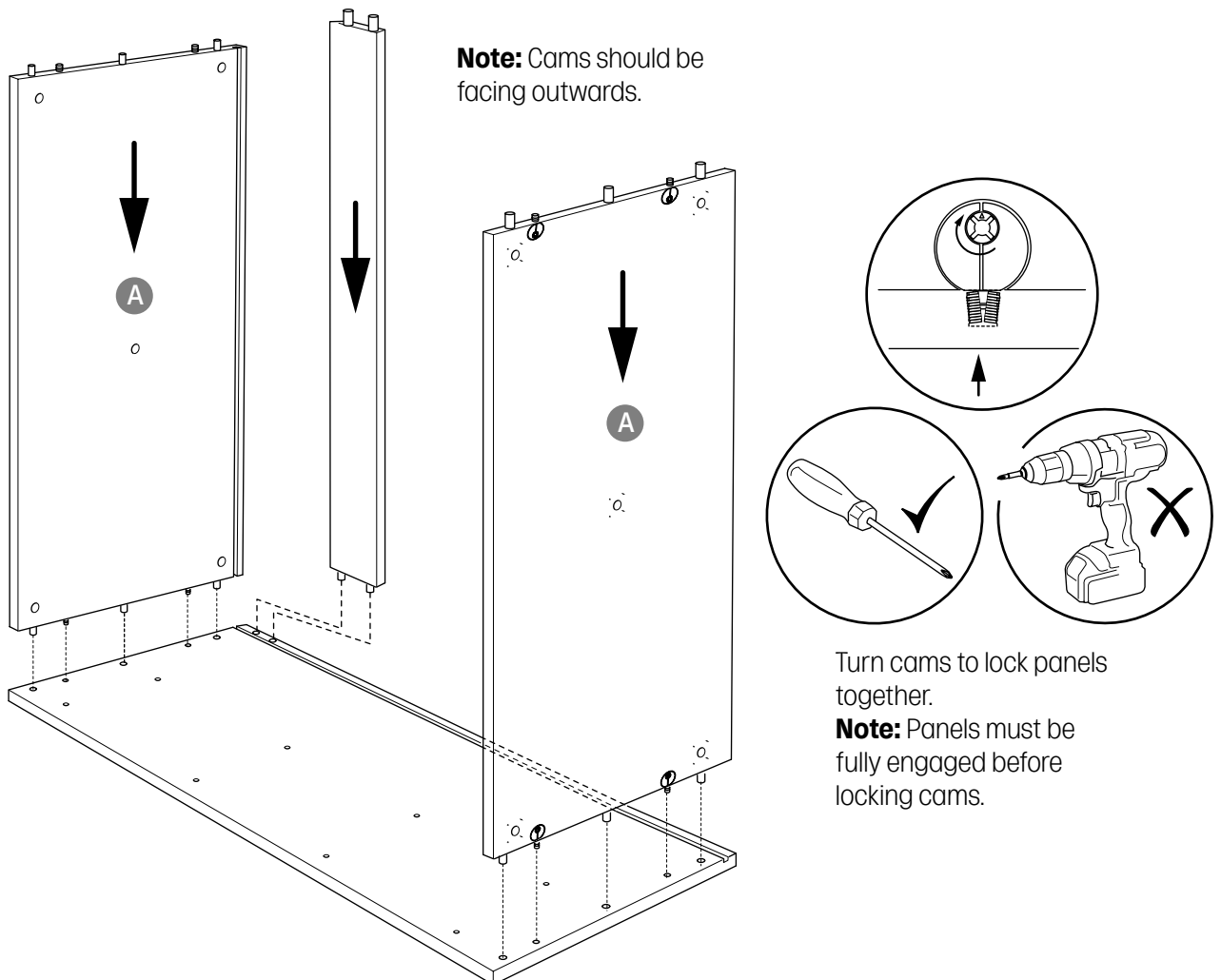
Follow the step by step guide below for cabinet assembly.

IMPORTANT: The cabinet **MUST** be assembled on its side.

1.

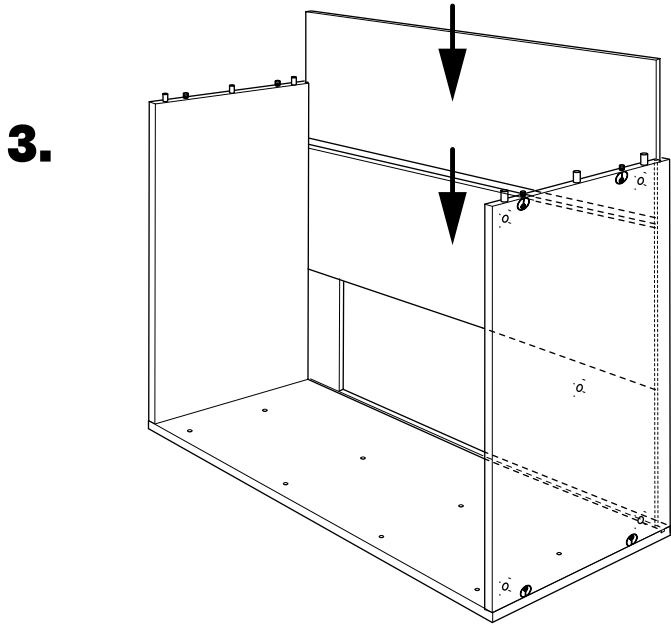


2.

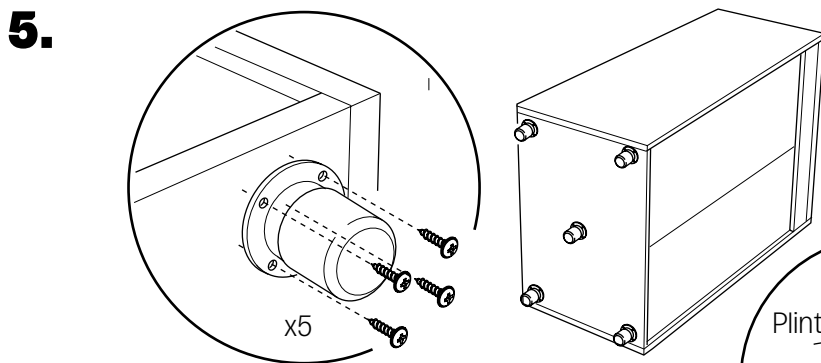
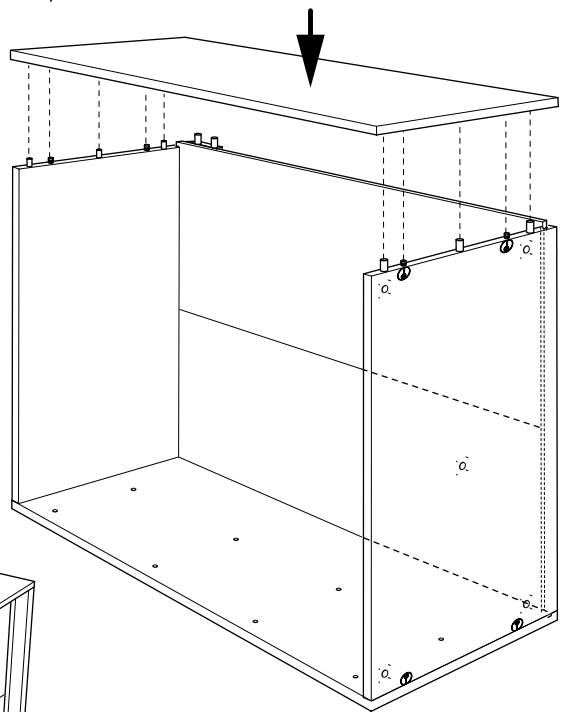
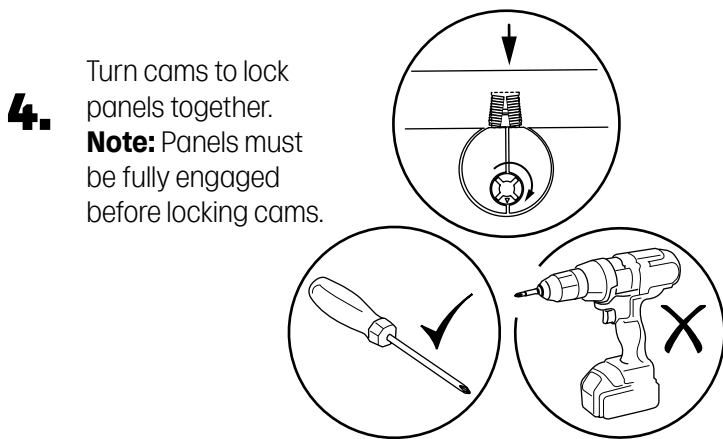


Cabinet Assembly

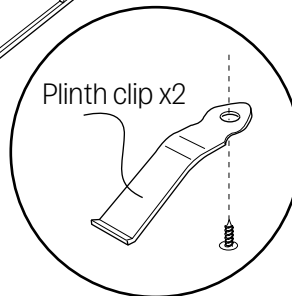
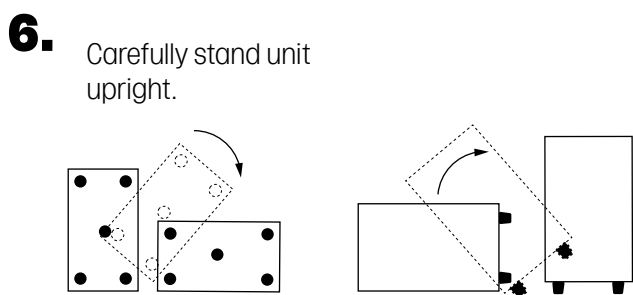
3



Note: Make sure back panel locates into the groove in the side panel.



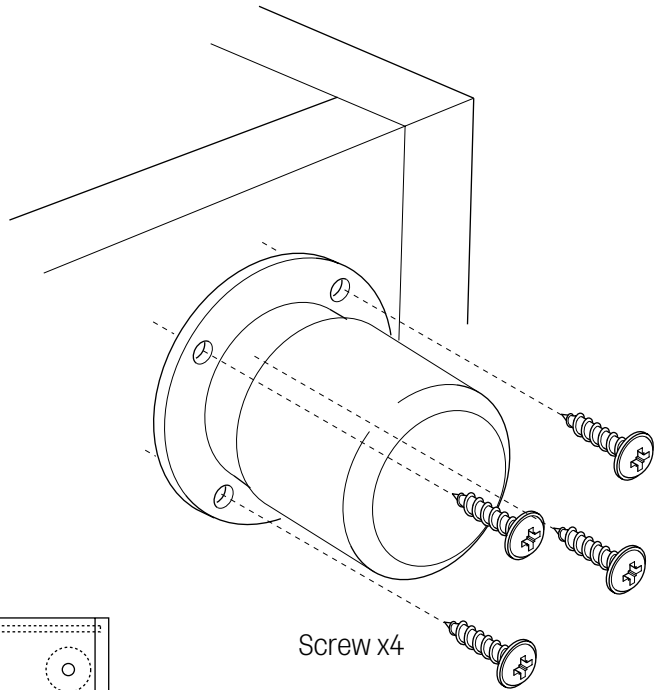
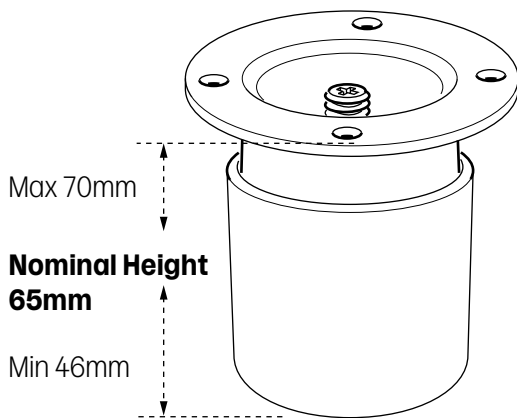
Fit feet & plinth clip.
Note: For foot/clip fitting and adjustment see page 14.



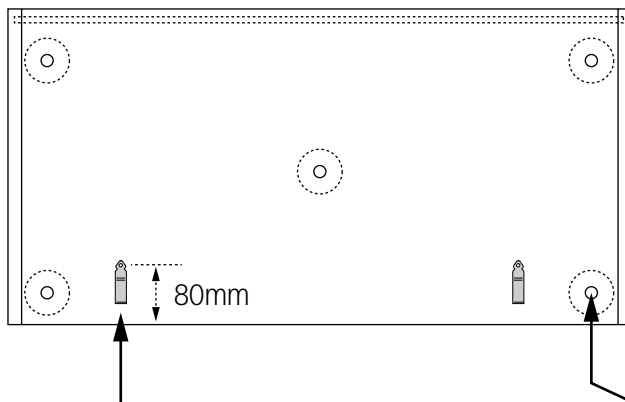
Cabinet Assembly

Cabinet feet

Cabinet feet are secured to the base panel as shown below. For ease of adjustment, the feet can be adjusted from inside the cabinet.

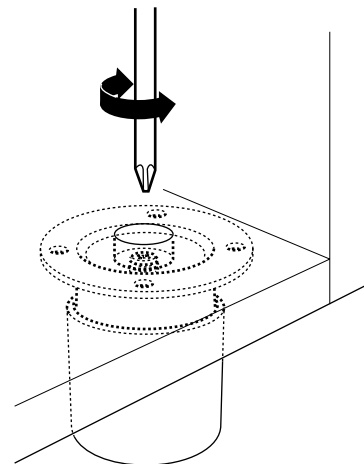


Cabinet base panel example

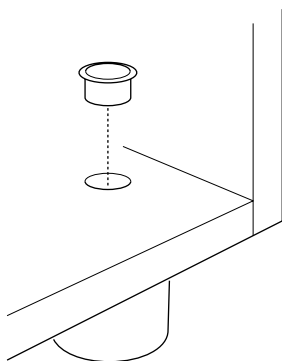


See plinth fixing section - Page 16

Foot adjustment can be made from inside the cabinet.



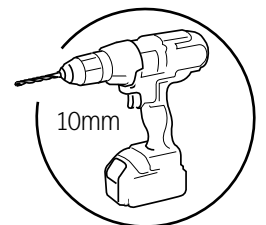
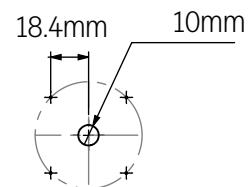
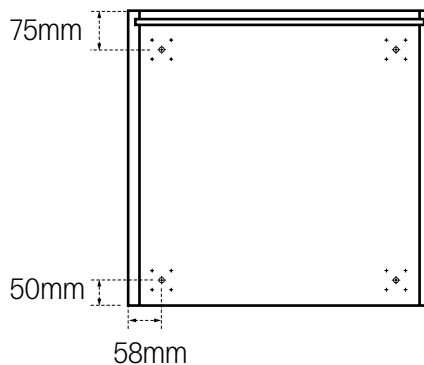
Fit cover caps to the adjustment holes.



Page 14

Fitting feet to bedside chest

Drill holes for feet when fitting to the bedside chest.



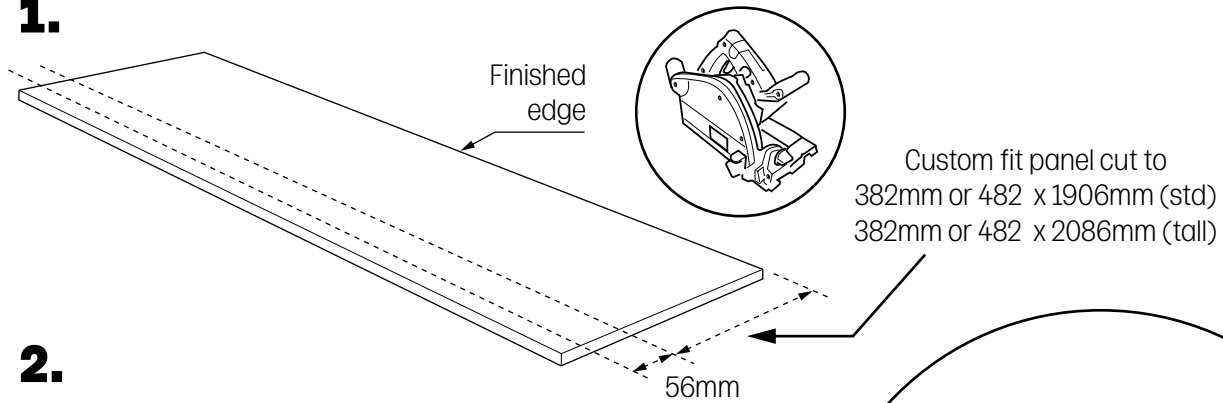
Cabinet Installation

4

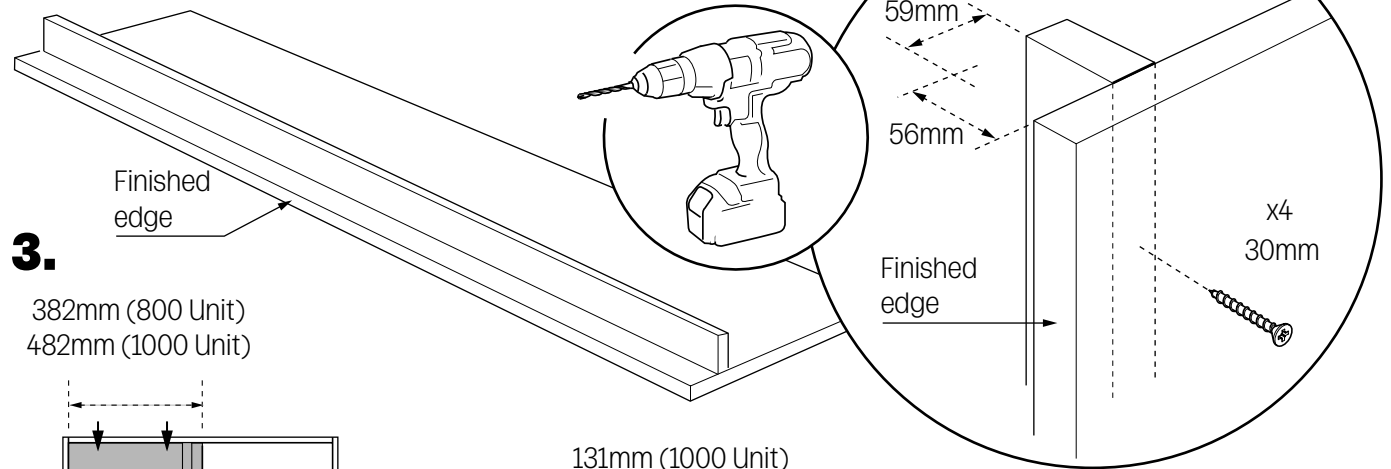
Wardrobe corner application

See planning application for setting out the wardrobe cabinets in the corner. Use the fillet and custom fit panel to create a corner wardrobe configuration.

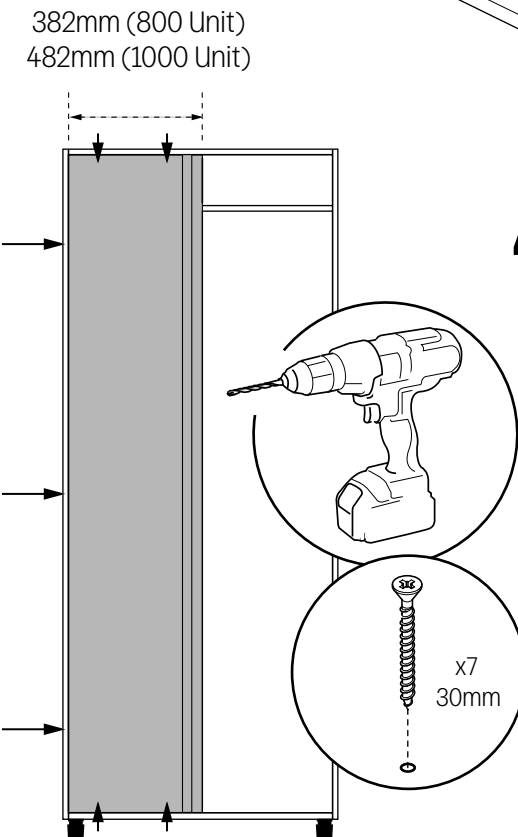
1.



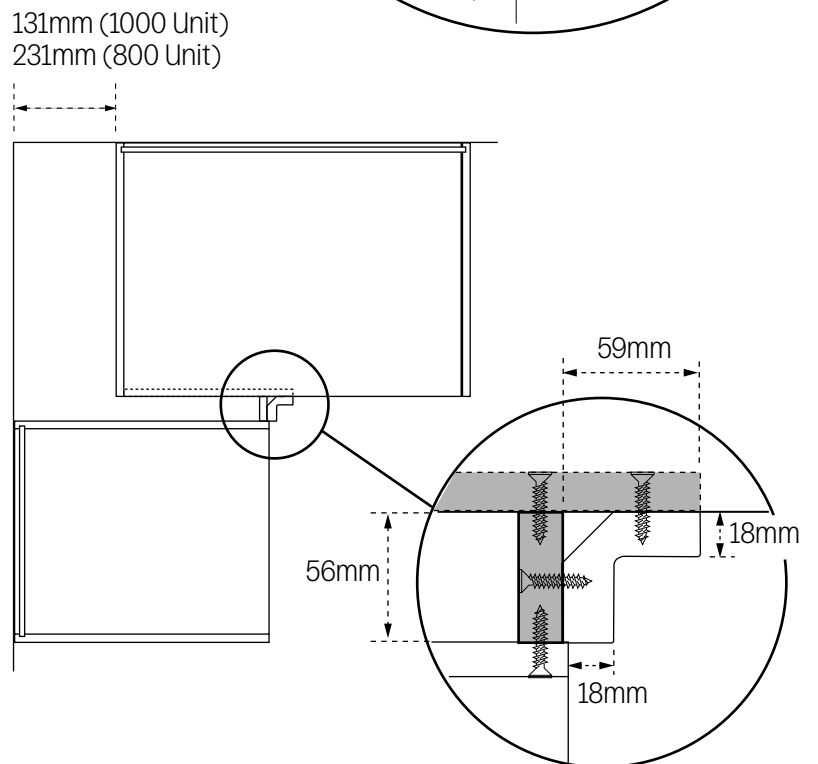
2.



3.



4.

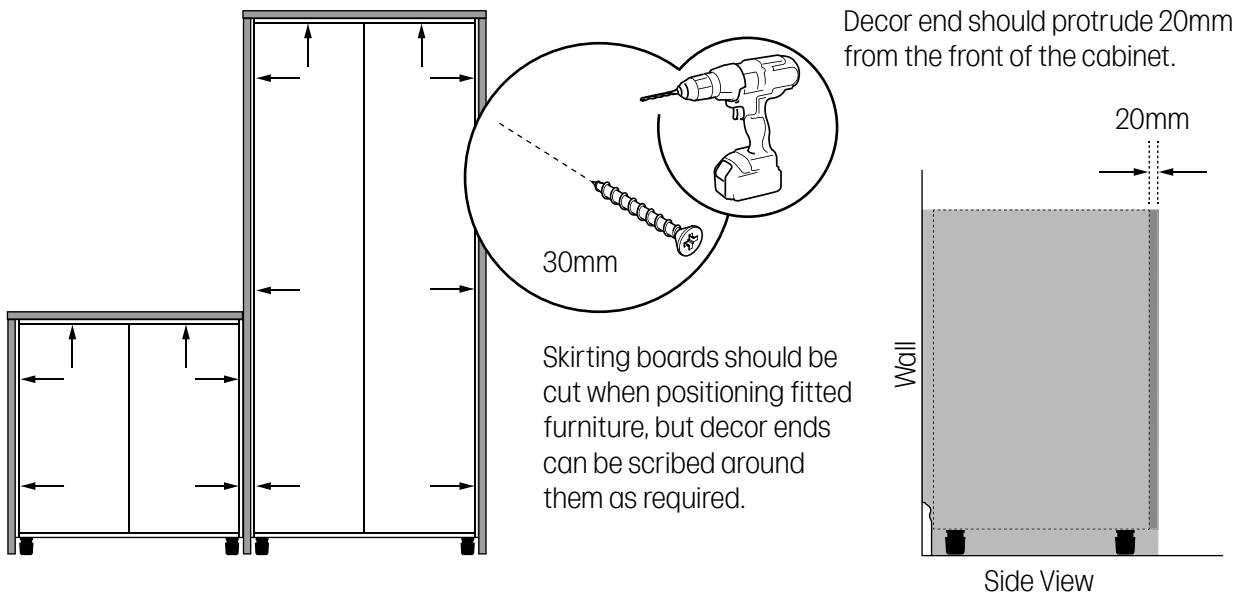


Note: When fitting a corner, the fixed shelf will need to be reduced in depth by 20mm. See page 26 for shelf cutting principle/fixing.

Cabinet Installation

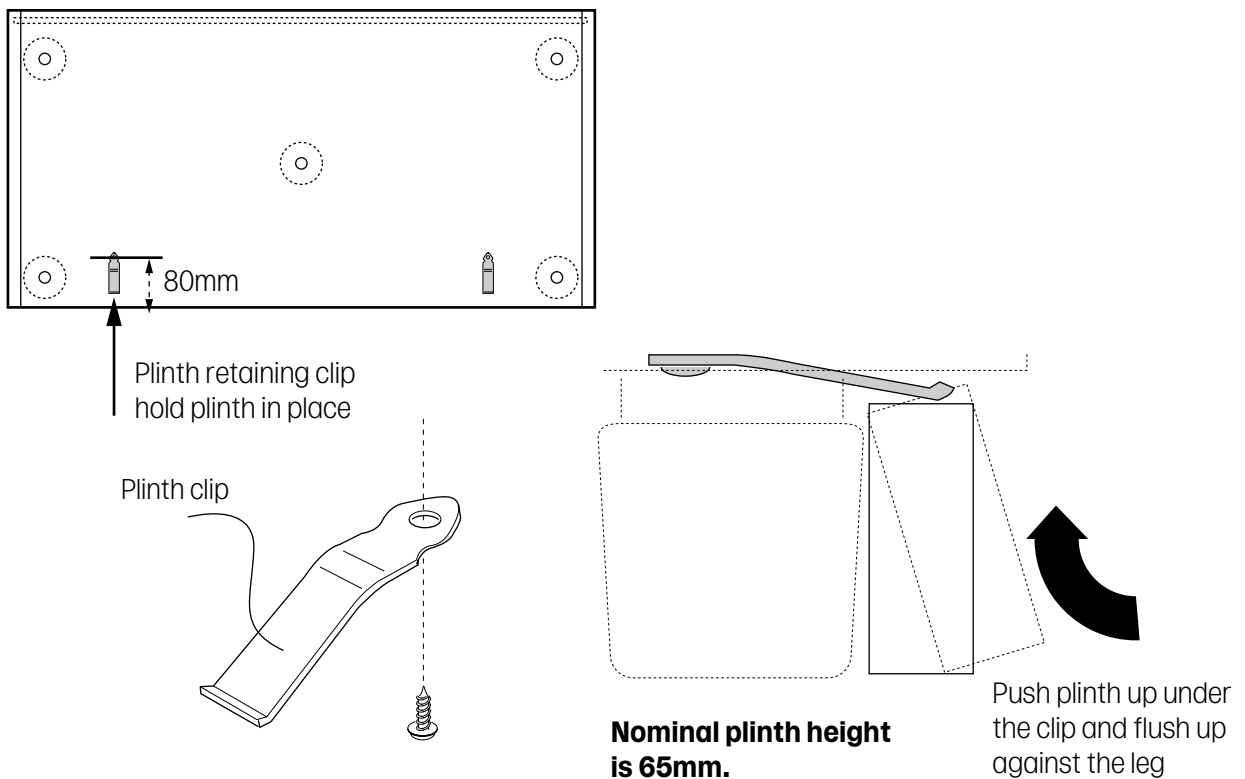
Decor end/top panel fixing

Cabinets should be clad with decor end panels. These will be range specific and match the doors and drawers being used on the bedroom cabinets. **Note:** When cutting decor ends for worktop application, ensure cut edges are re-edged.



Plinth fixing

Plinths should be fitted to the front of the cabinets, with the back edge against the foot.

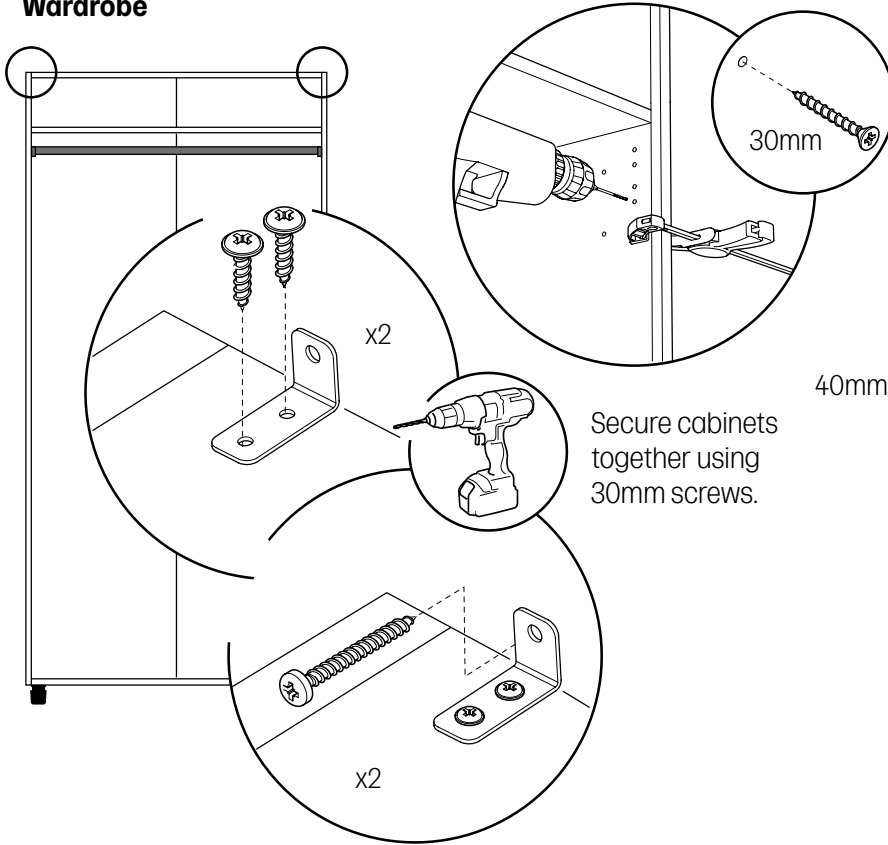


Cabinet Installation

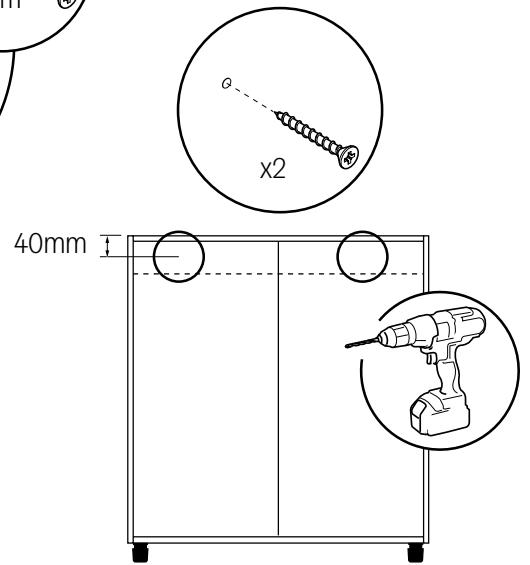
Securing cabinets to the wall & connecting

Cabinets should always be secured to the wall using suitable wall fixings. Cabinets in a run should also be secured together.

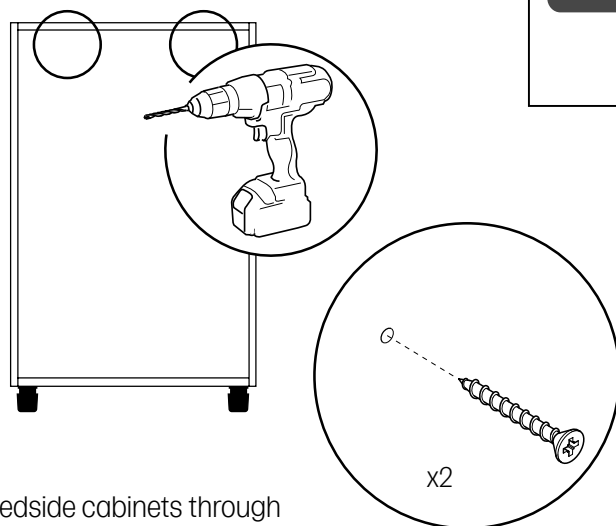
Wardrobe



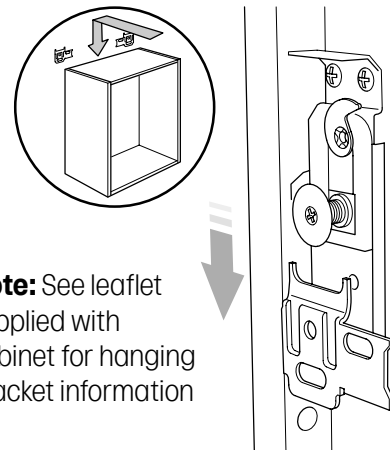
Chest of drawers



Bedside Chest



IMPORTANT
Cabinets MUST be secured to the wall using suitable wall fixings.

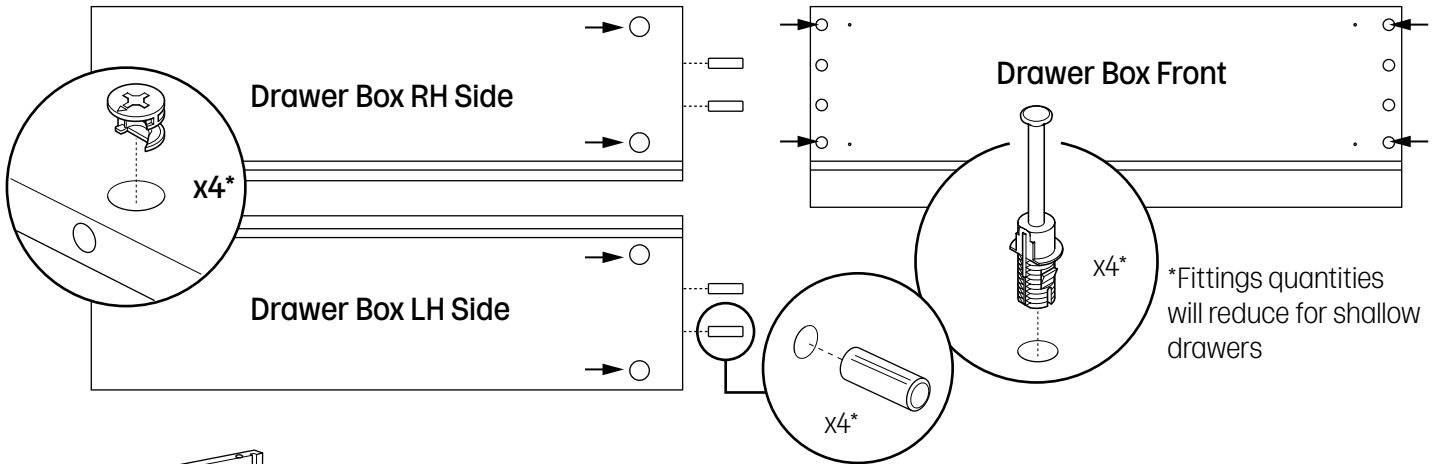


Secure bedside cabinets through the back panel to the wall, or use the wall hanging brackets supplied with the unit.

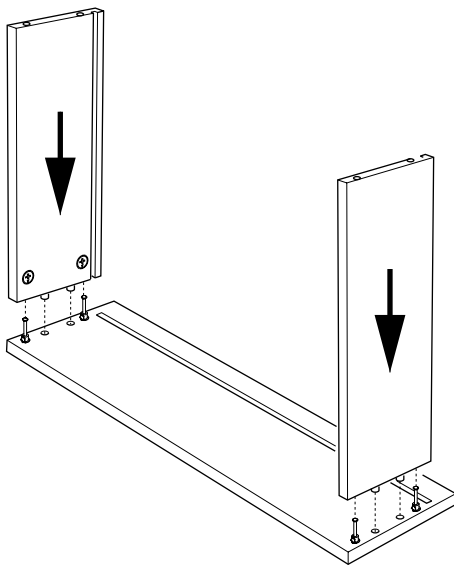
Drawer box assembly

Follow the step by step guide for drawer box assembly.

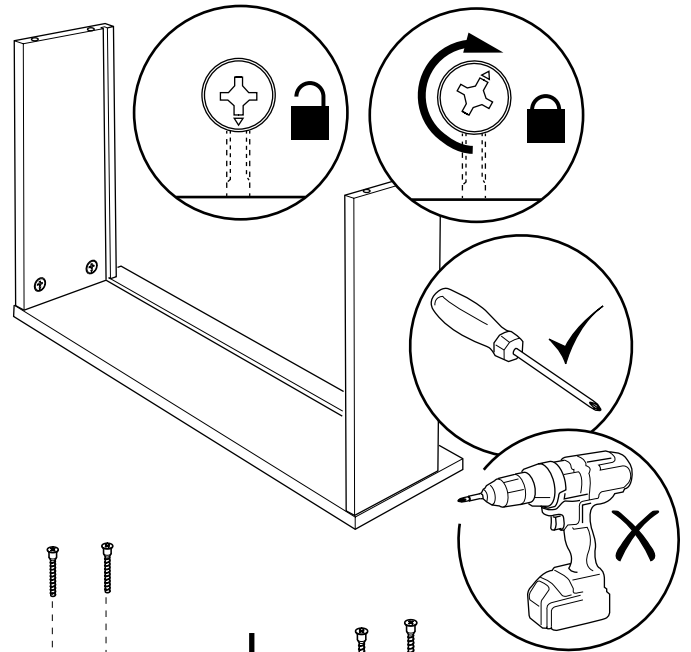
Deep drawer shown



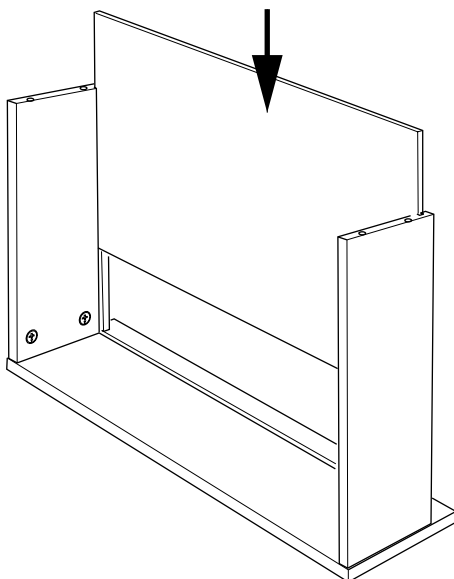
1.



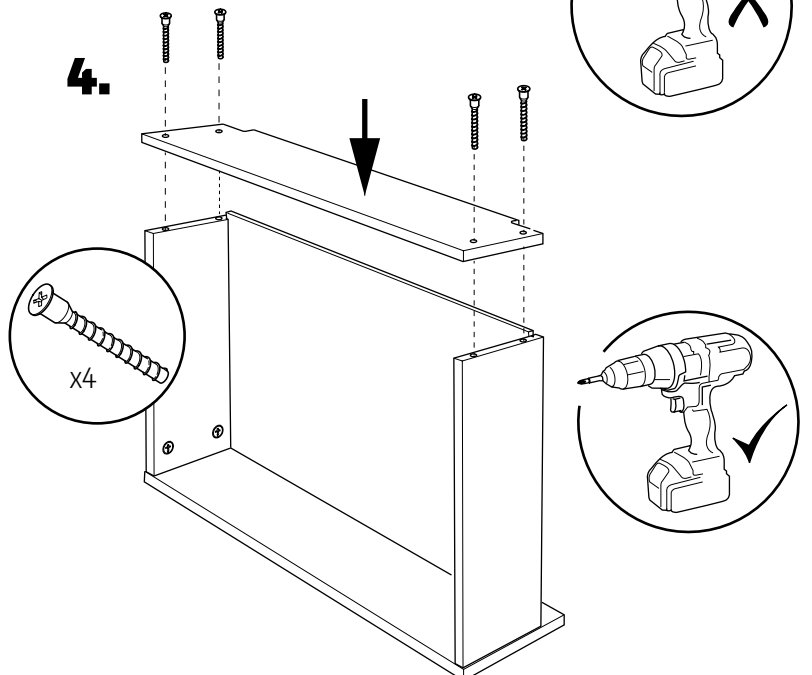
2.



3.

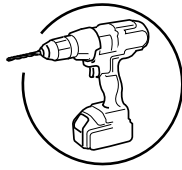
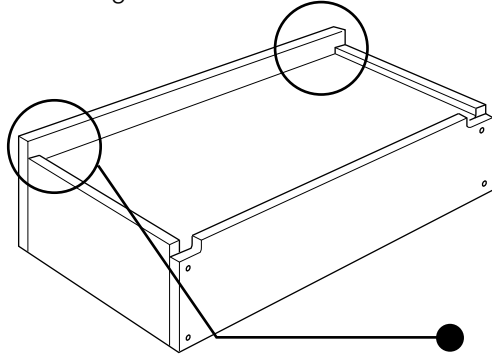


4.

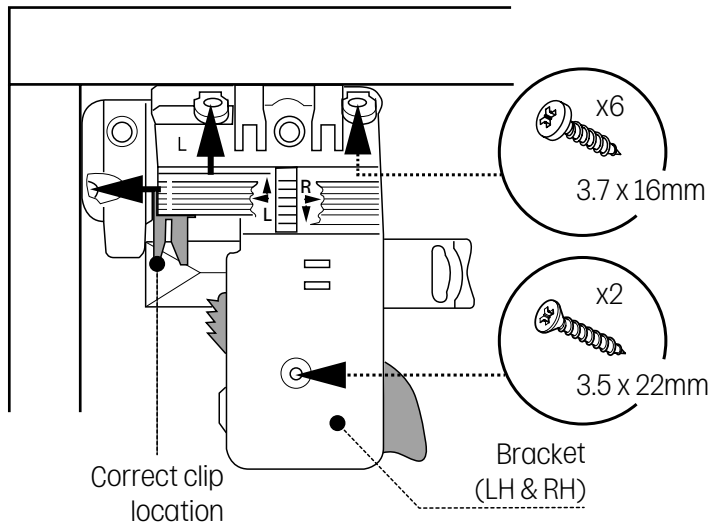


Drawer box assembly

Fit runner fixing brackets.

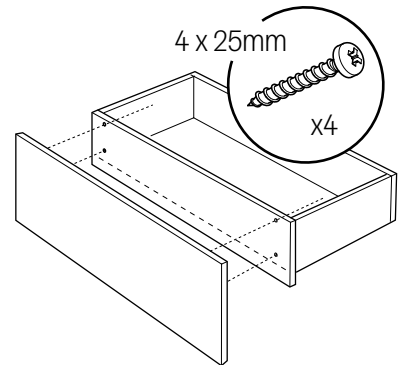
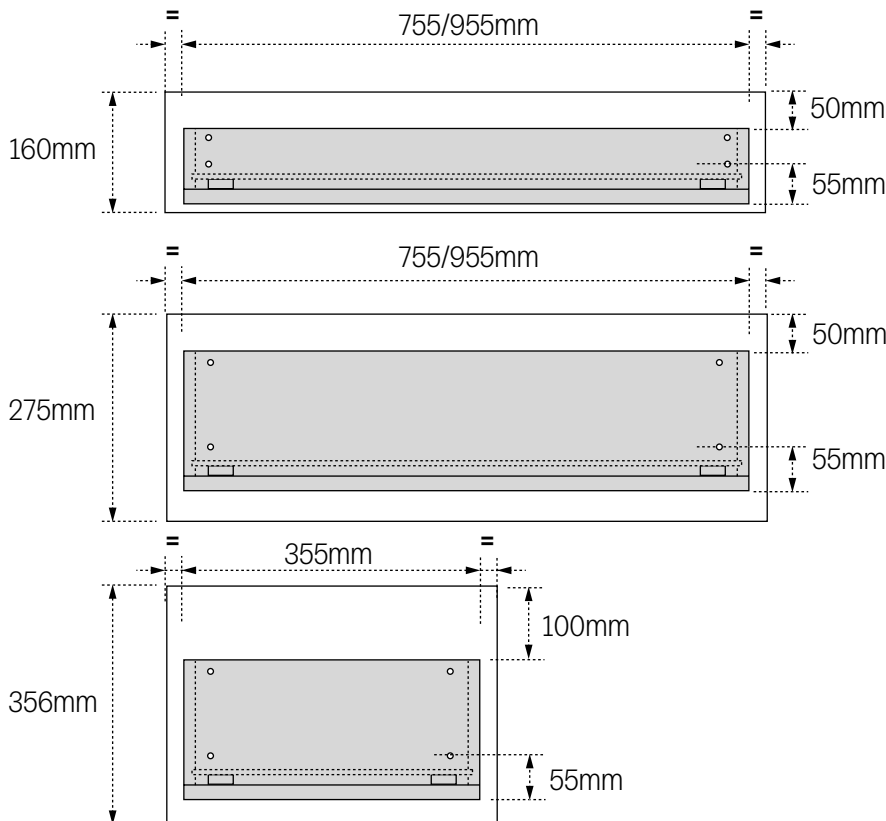


Screw positions into the front and side of the drawer must be pilot drilled



Drawer front fixing

Secure the drawer box to the back of the drawer front.

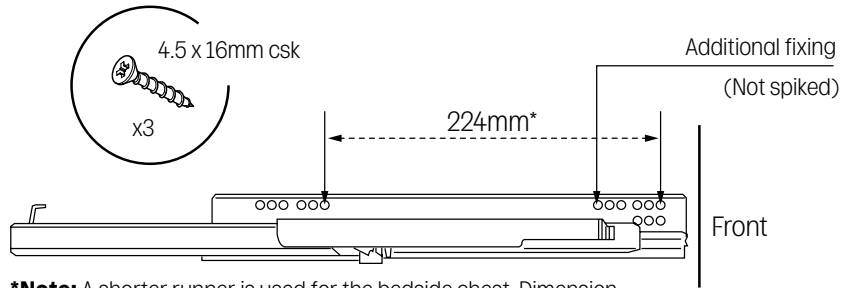


Drawers

Cabinet runner positions

Runners should be fitted in the positions shown depending on the cabinet. There are multiple options and locations for drawers, so please use the correct fixing positions on the side panels.

Note: For bedside chests, the runner fixing holes will require drilling. DO NOT use the spike locations already in the side panels, as these are not correct for bedroom runner application.

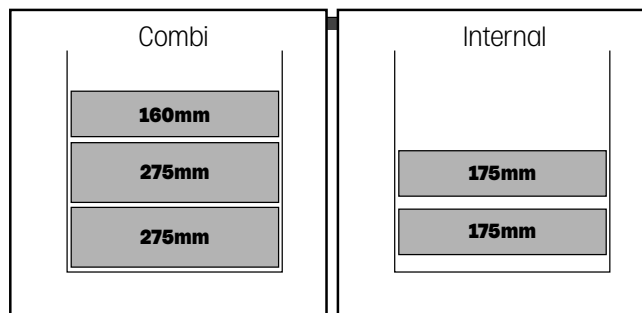


***Note:** A shorter runner is used for the bedside chest. Dimension between front and back fixing will be 210mm.

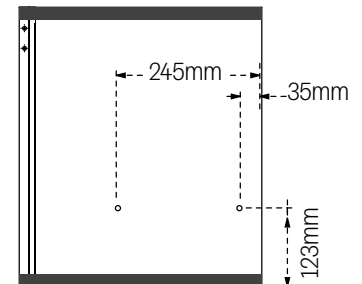
3 Drawer combi robe/Internal drawers



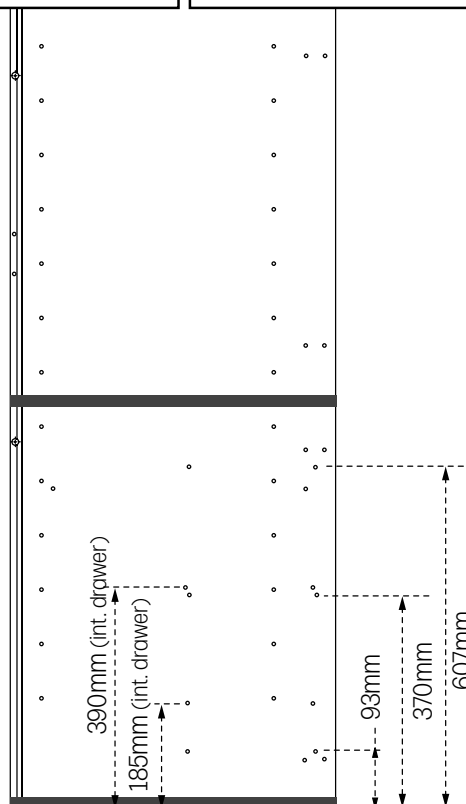
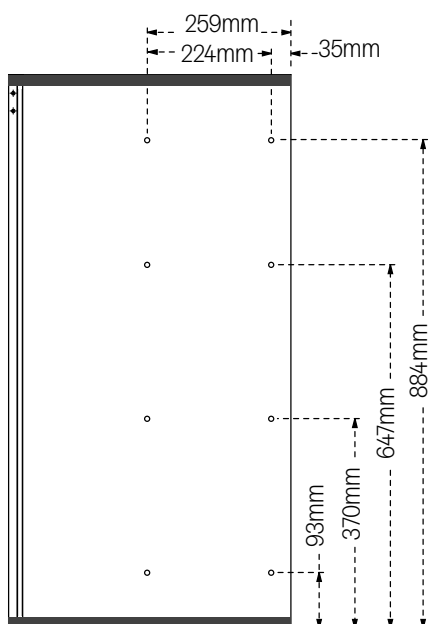
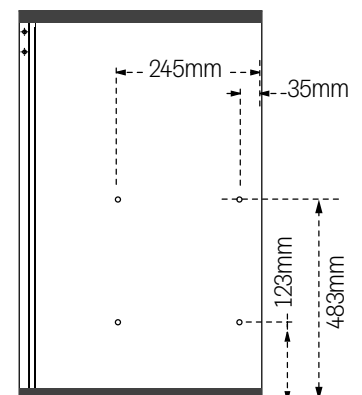
4 Drawer chest



1 Drawer bedside



2 Drawer bedside

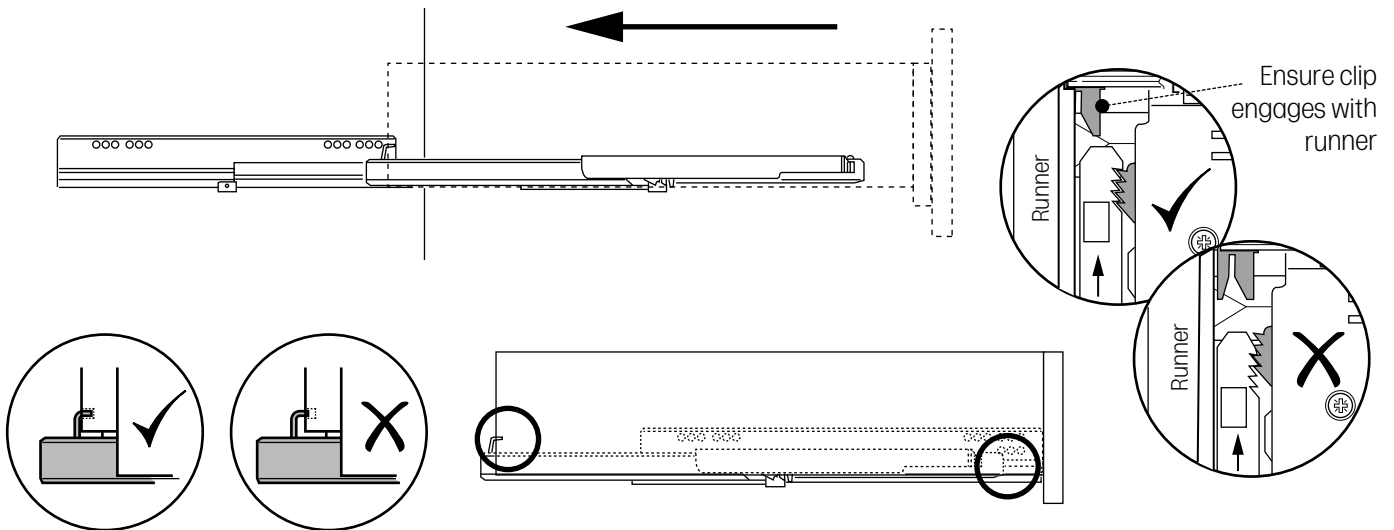


Drawer fitting

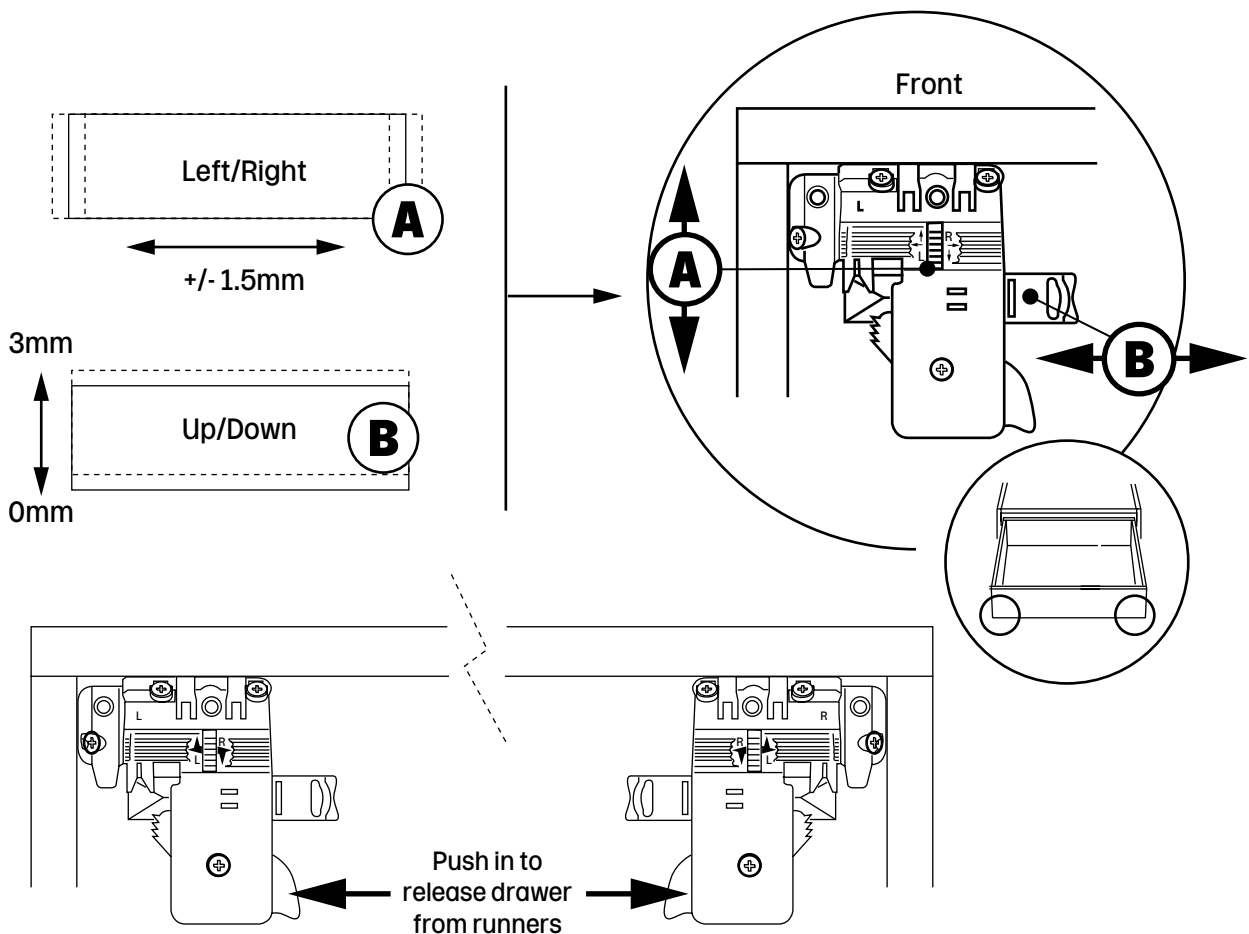
Locate the drawer onto the runners and push back into the cabinet.

Note: Ensure the back metal pin on the runner locates fully into the back of the drawer.

Runner teeth should be fully located on the front bracket, with runner located within the clip as shown.



Drawer adjustment

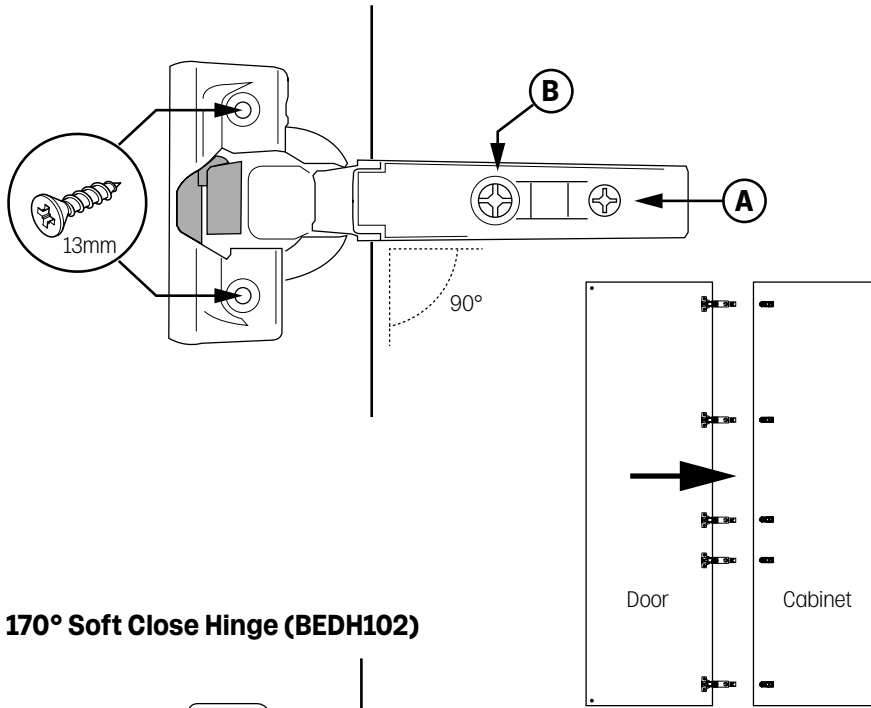


Doors & Hinges

Hinge fixing and door adjustment

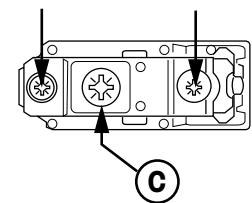
Fit hinges to doors and plates to cabinet side panels.

110° Soft Close Hinge (BEDH100)

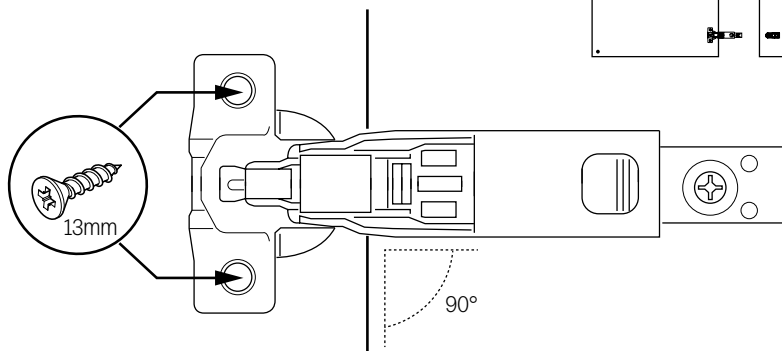


Align the plastic pegs on the hinge plate with the holes in the cabinet. Firmly push into place and tighten the screws on the plate, expanding the pegs to secure.

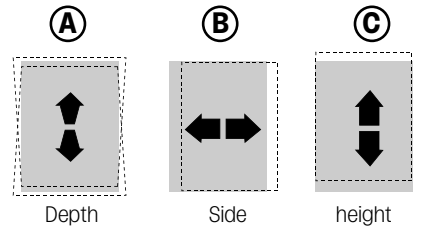
Cabinet Front Edge



170° Soft Close Hinge (BEDH102)

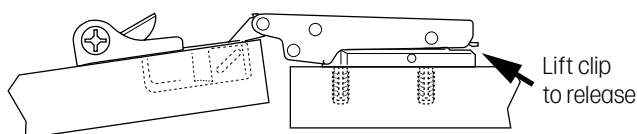
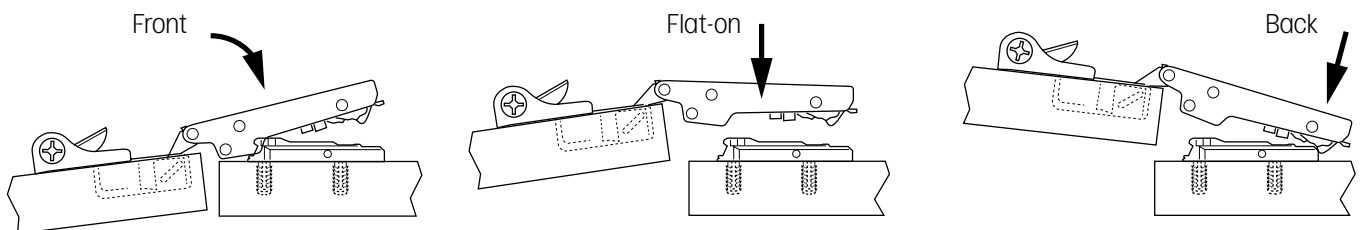


Adjustment



3 way clip-on hinge functionality

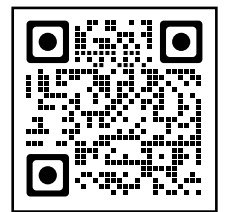
Hinge can be fitted from the front, flat-on and from the back.



Note: Clip on the hinge cover caps once hinge adjustment completed.

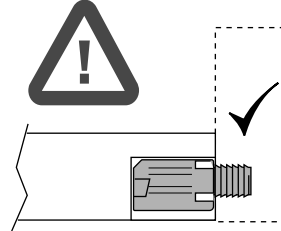
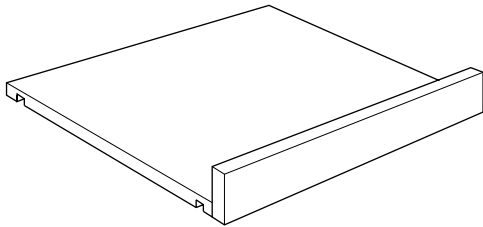


Scan the QR code with your smart device to access a short hinge installation & adjustment video

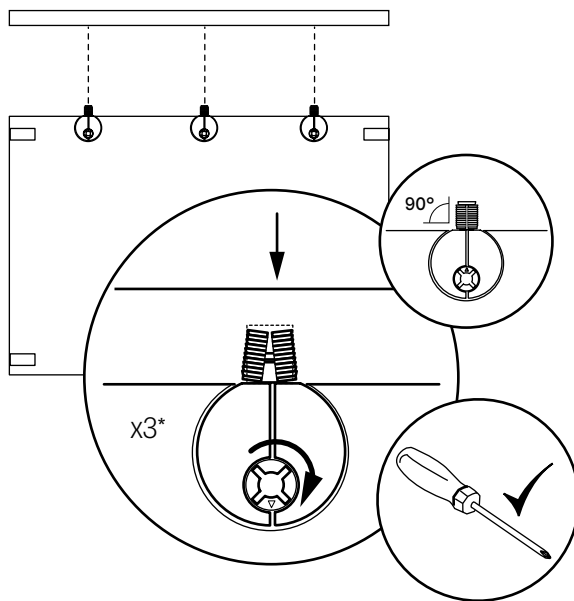


Shoe shelf

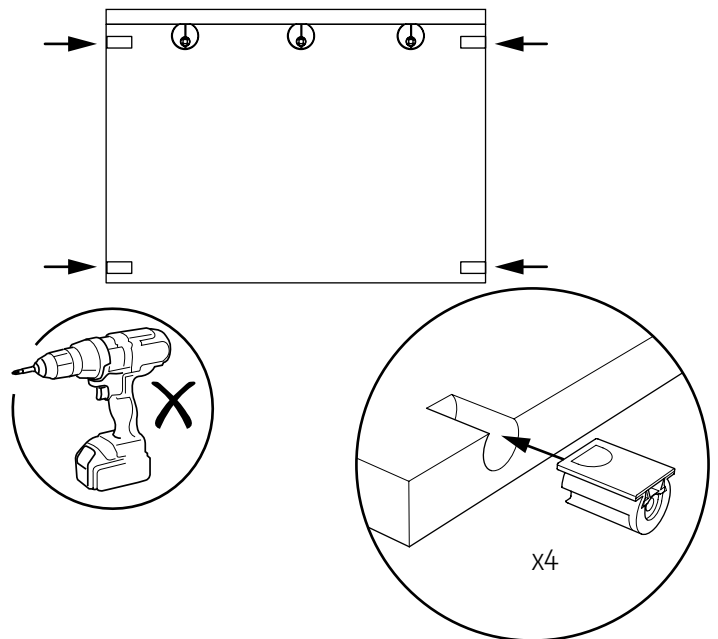
Assemble the shoe shelf and fit into the wardrobe at the height required.



1.

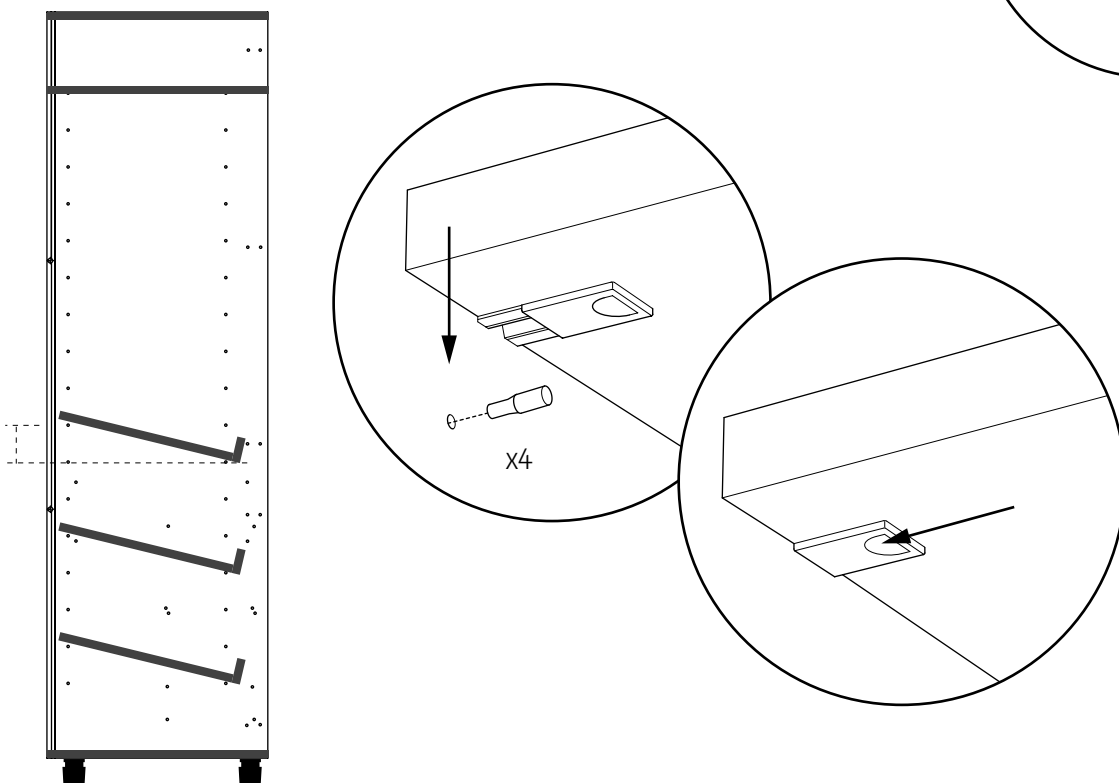


2.



*Qty of cams depends on shelf width

3.



Accessories

Fixed shelf & hanging rail positions

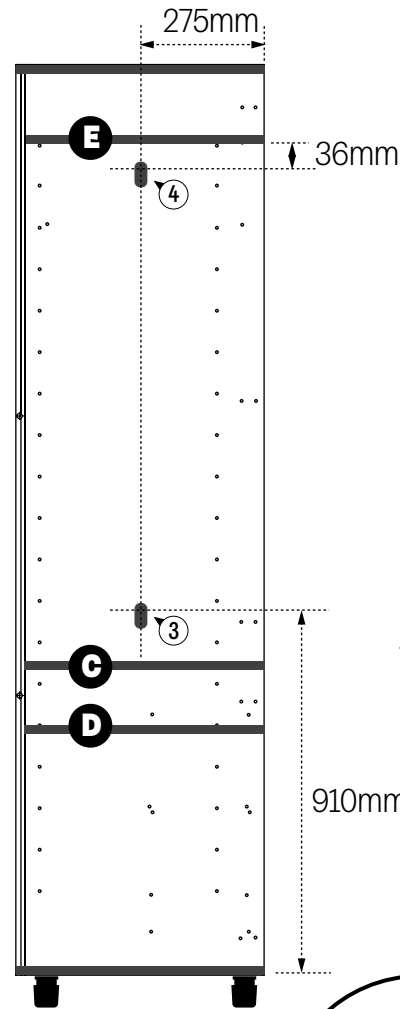
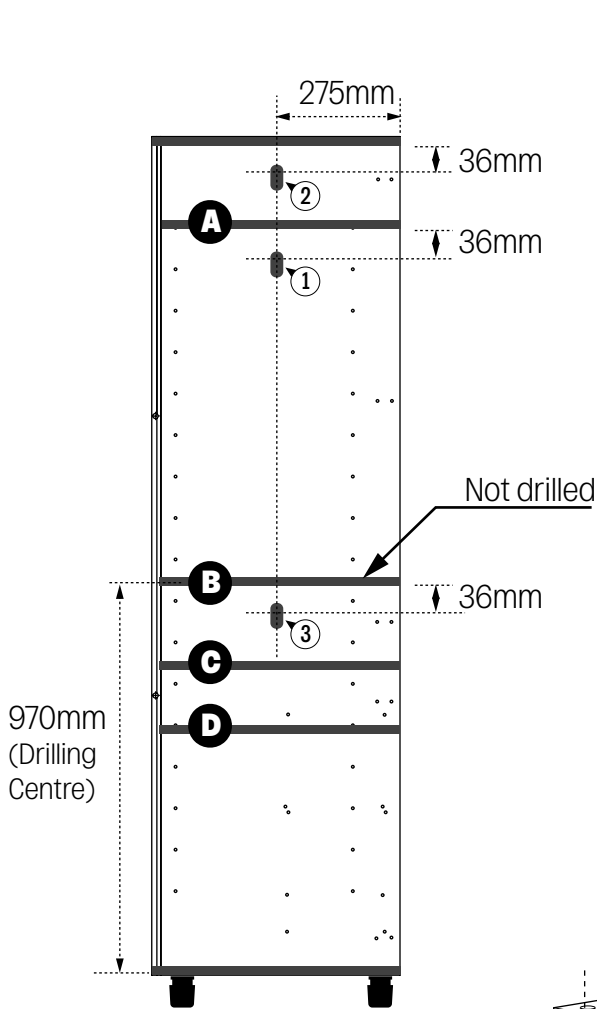
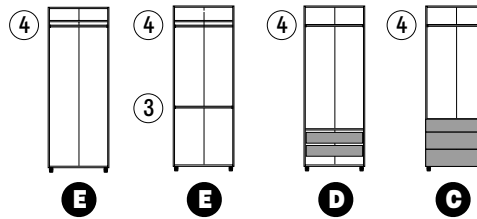
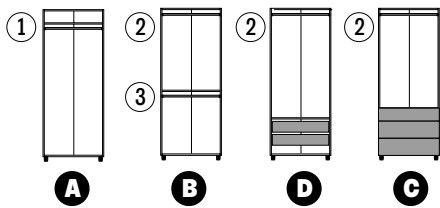
Follow the information below for fixed shelf and hanging rail positions.

Note: Once shelf is in position, screw through the back panel into the back edge of the fixed shelf for additional support. Use 30mm csk screws to secure (x6 screws recommended for a double robe).

1.

Standard (1942mm)

Tall (2122mm)



Fixed shelf positions

A 1739mm

B 970mm*

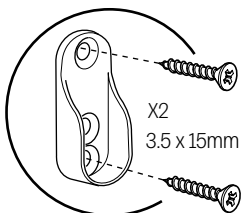
C 718mm

D 565mm

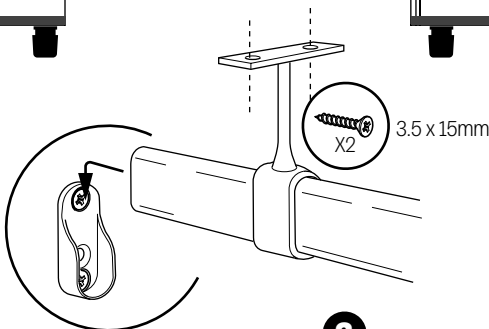
E 1931mm

○ Hanging rail positions

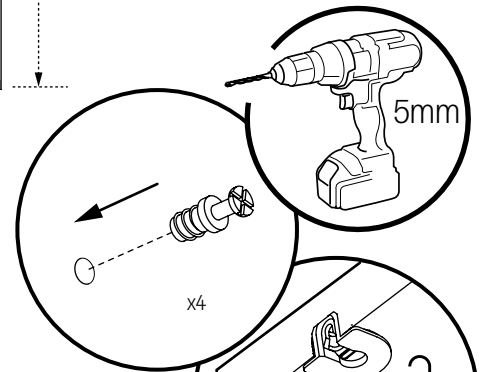
*Drill for cam studs where shelf position is not drilled



1

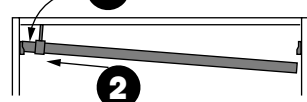


3

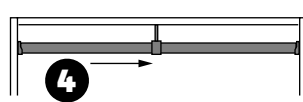


x4

x4



2

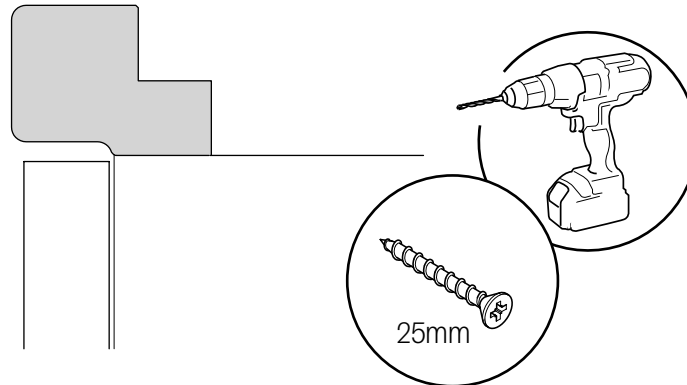


4

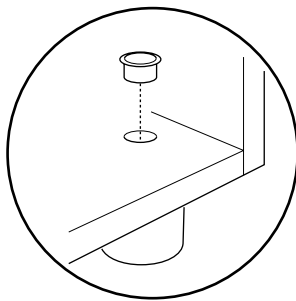
Finishing Touches

Cornice fixing

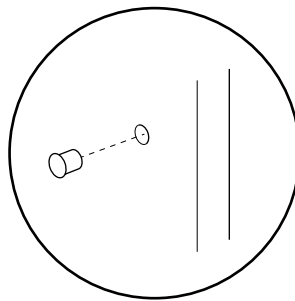
Fix the cornice to the top of the wardrobe. **Note:** Cornice profile may vary depending on the design of the bedroom.



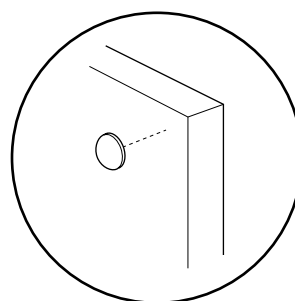
Cover caps, shelf pegs, bumpons & brackets



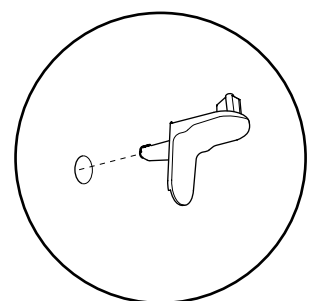
Foot hole
cover cap



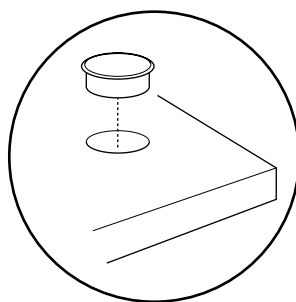
Side panel hole
plug (3mm)



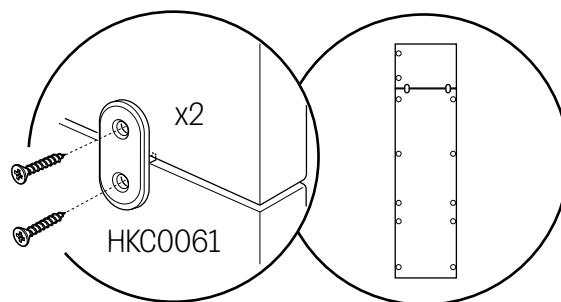
Door bumpon - top
and bottom cover



Metal shelf studs
for adjustable shelves



Door hinge
cover caps

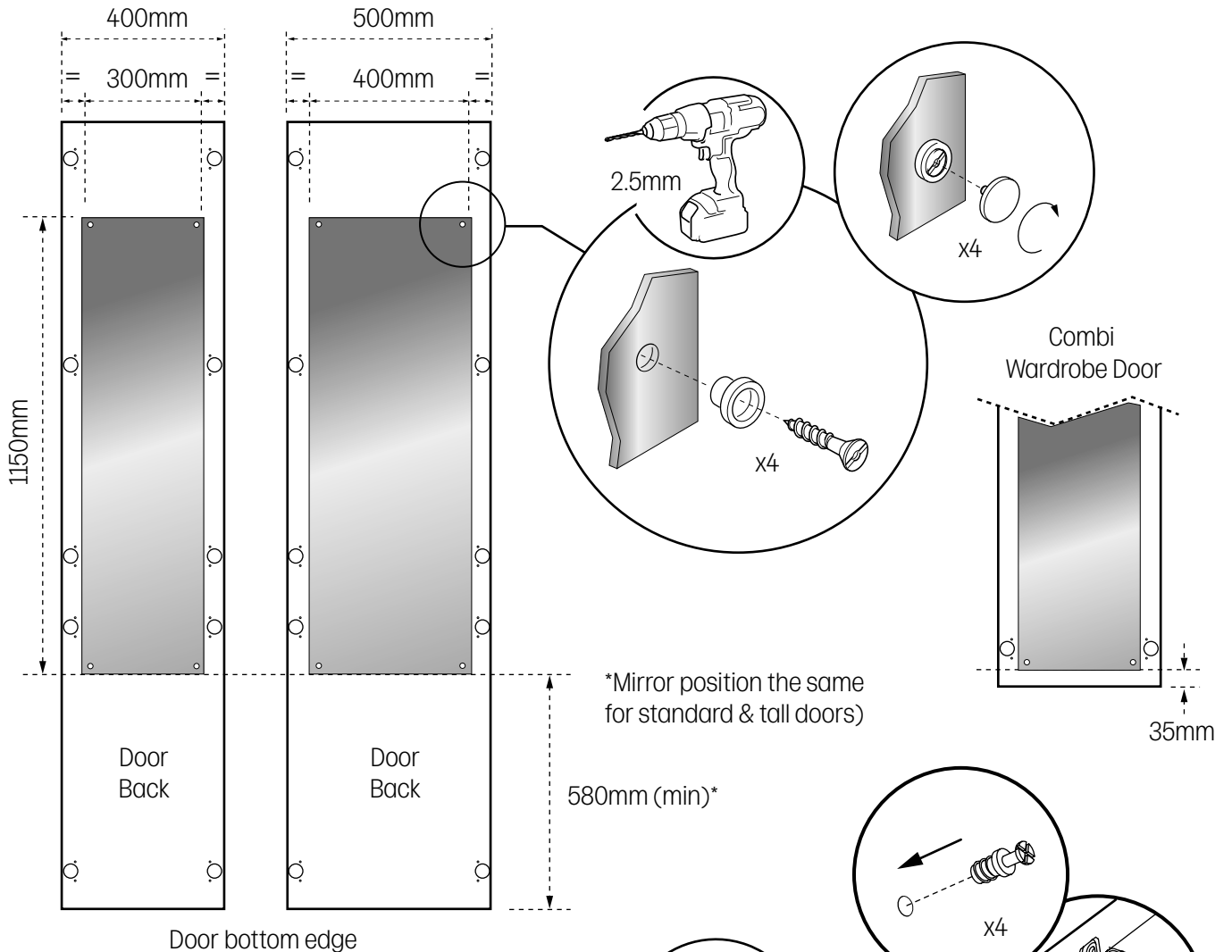


Join the wardrobe door and top cabinet door using
the brackets shown

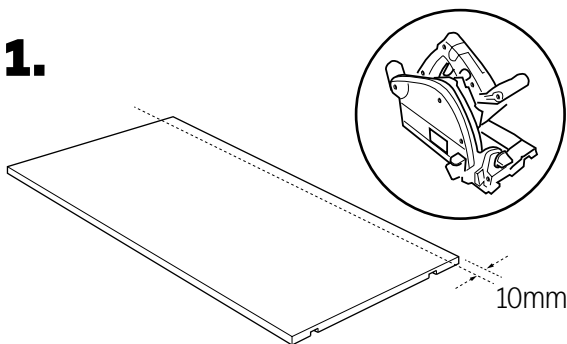
Mirror location and fitting

Fit the mirror to the back of the door using the fixings supplied.

Note: In a double hanging wardrobe (where the mirror will be in front of the fixed shelf), the depth of the fixed shelf will require reducing by 10mm. This is to avoid a clash with the mirror when the door is closed.

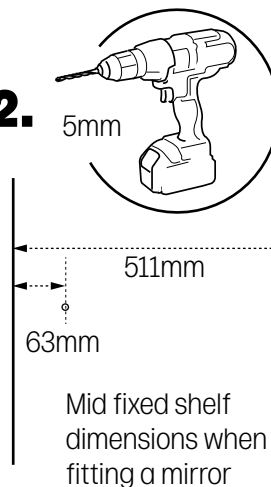


1.



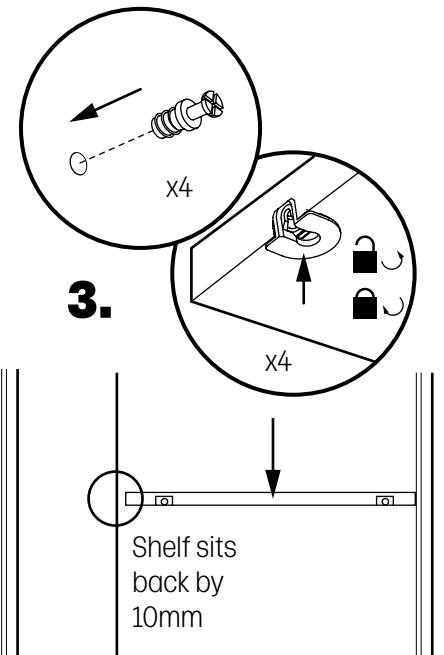
Carefully remove 10mm from the back of the fixed shelf.

2.



Measure and drill shelf stud holes in wardrobe side panels to dimensions above.

3.



Fit shelf studs and fit fixed shelf.

Notes

