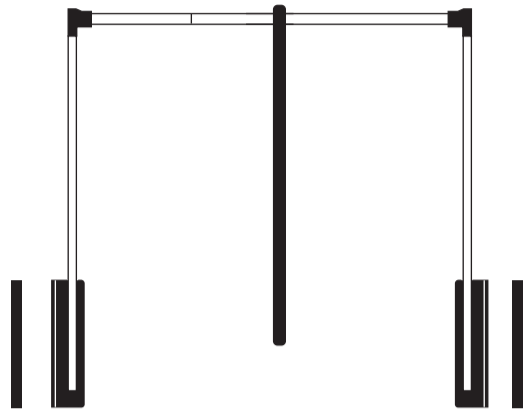


# Pull Down Rail

Bedrooms

# BEDA110



## CAUTION

The hanging rail can feel stiff to pull down, when no weight is on the rail. Please take care when operating the rail, as it can spring back into position if not holding the handle.

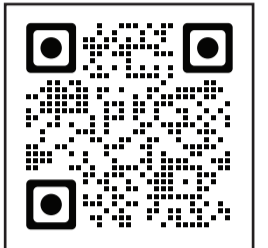
Ensure packaging is disposed of in a safe environmentally friendly way

This pull down rail should be used in wardrobe cabinets  
Maximum weight for rail is 10kgs

**Note:** Weight should be distributed evenly across the rail



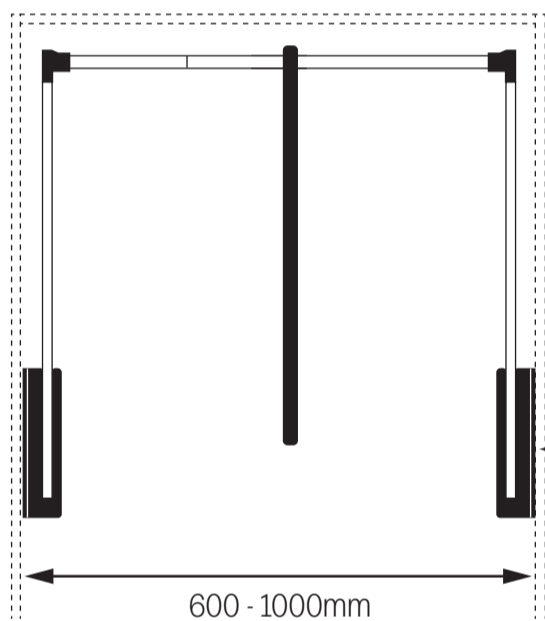
Scan the QR code with your smart device to access a digital copy of the Bedroom installation manual



**Note:** 20mm spacers are sold as a separate SKU (BEDA112)

## Adjustment

The hanging rail is extendable to work in different cabinet widths.

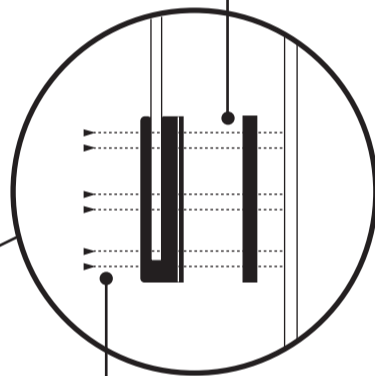


Use these screws to replace the 20mm screws, when using the spacer

x24



45mm csk



x24



20mm csk\*

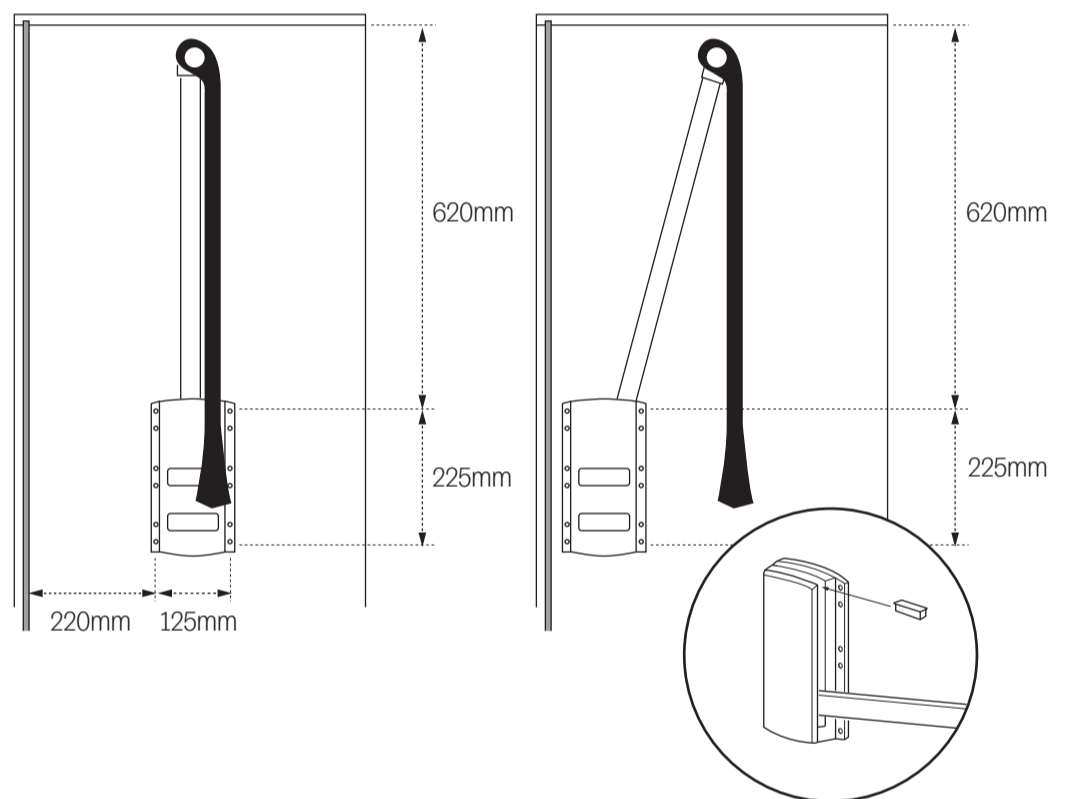
\*not required if using the spacers

**Note:** 20mm spacers can be fitted to the back of the brackets if the hanging rail arms clash with the door hinges (when used with wide angle hinges).

These are a separate SKU item (BEDA112).

## Rail location

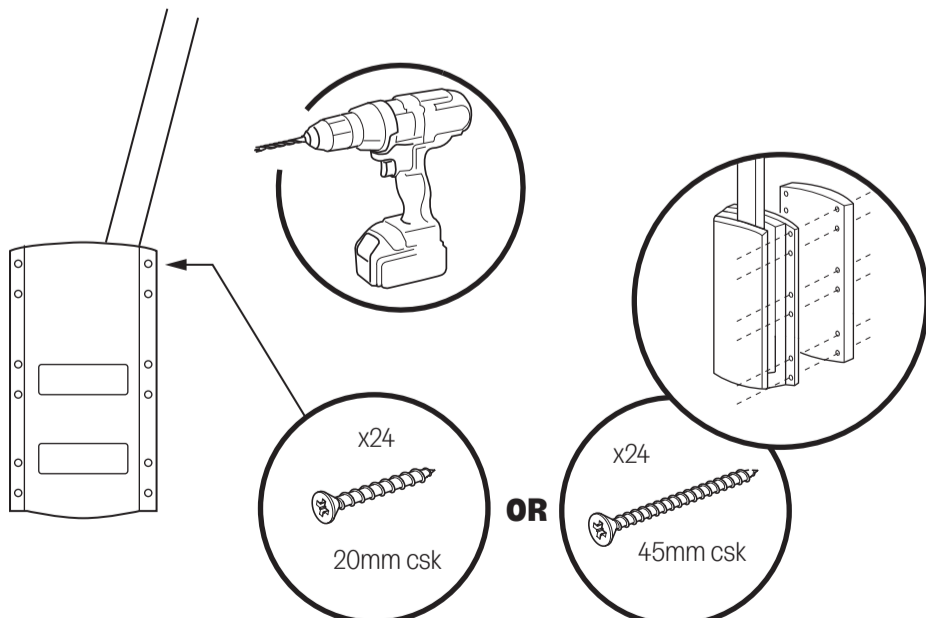
The hanging rail bracket can be positioned towards the back of the cabinet or the centre. If towards the back, the angle clip should be used, to angle the hanging rail in the centre location.



## Assembly

1

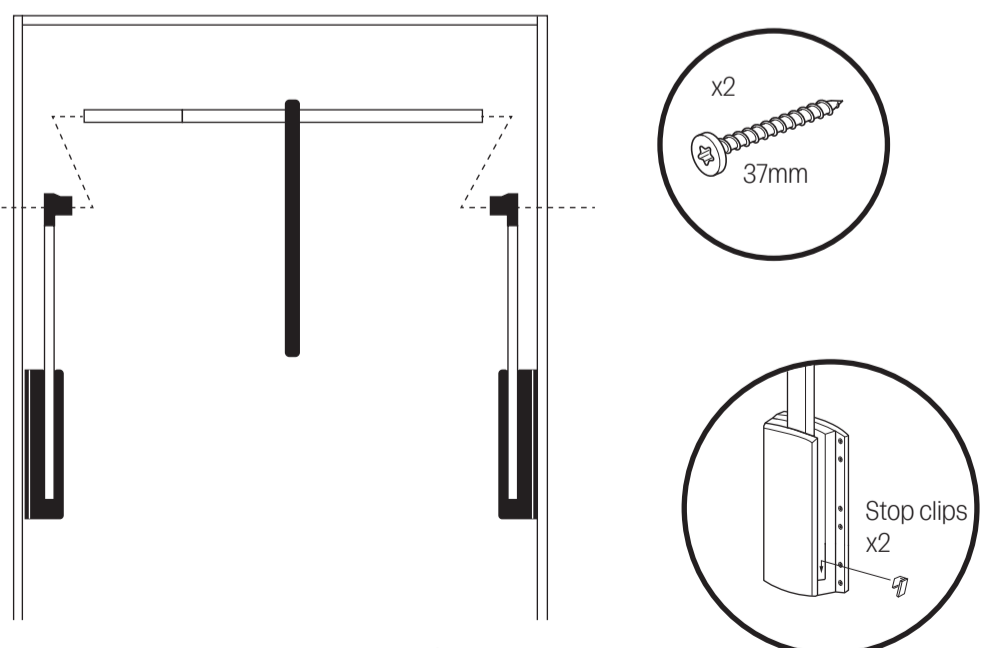
Measure, mark and pilot drill the cabinet.  
Secure bracket arms to the side of the cabinet.



**Note:** If fitting spacers, use the longer 45mm screws as detailed above (screws supplied with spacers).

2

Fit the hanging rail to the arms. Secure using the screws each side.  
Fit the 'stop clips', to the brackets



**Note:** Diagram shows no spacers fitted