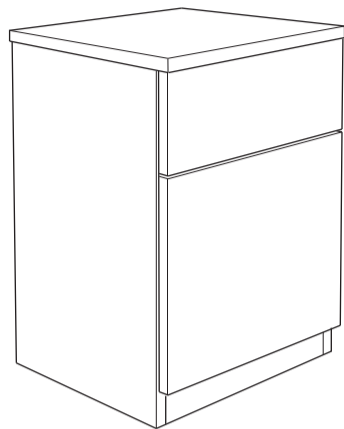


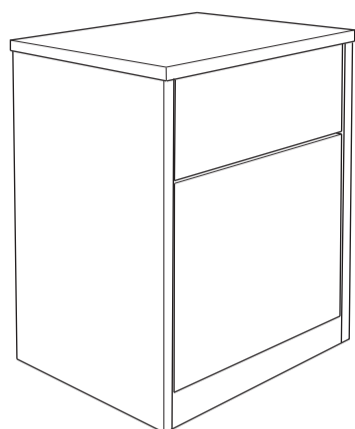
Bedside Table

Bedrooms

LEAFBST



Un-Clad Option

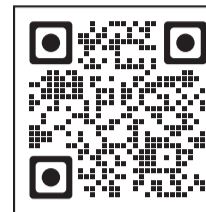


Clad Option

Important Notes:

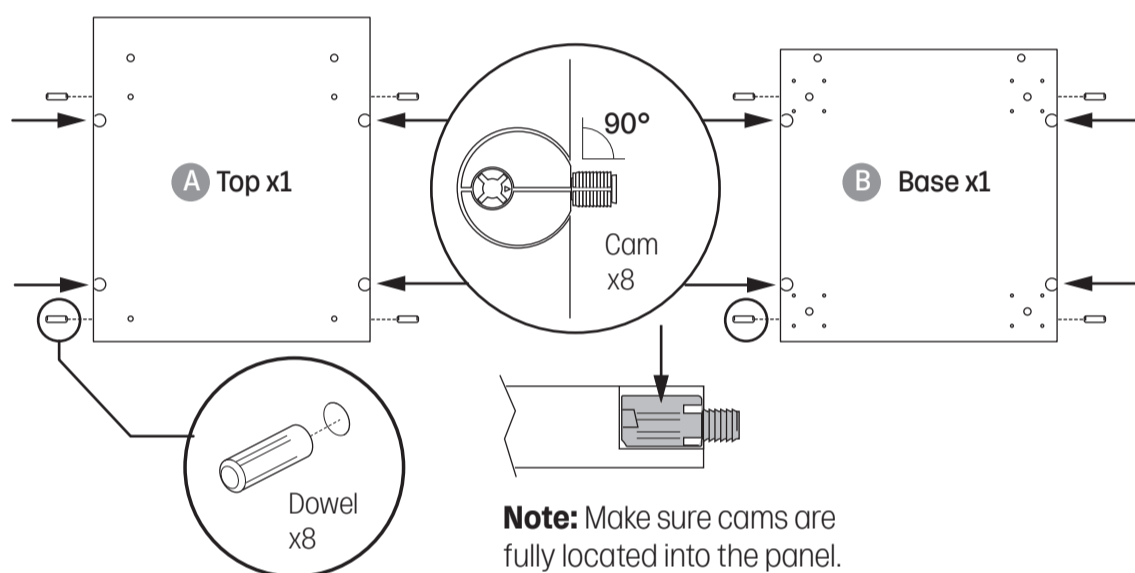
Ensure packaging is disposed of in a safe environmentally friendly way

Follow the Bedroom Installation Manual for all aspects of cabinet installation. A copy of this is available from your local Howdens depot or by scanning the QR code.

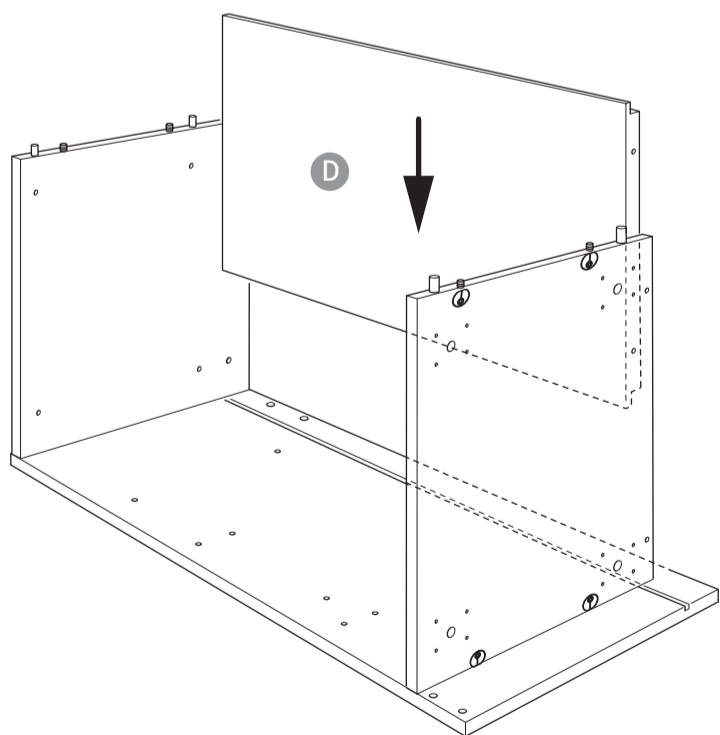


Assembly

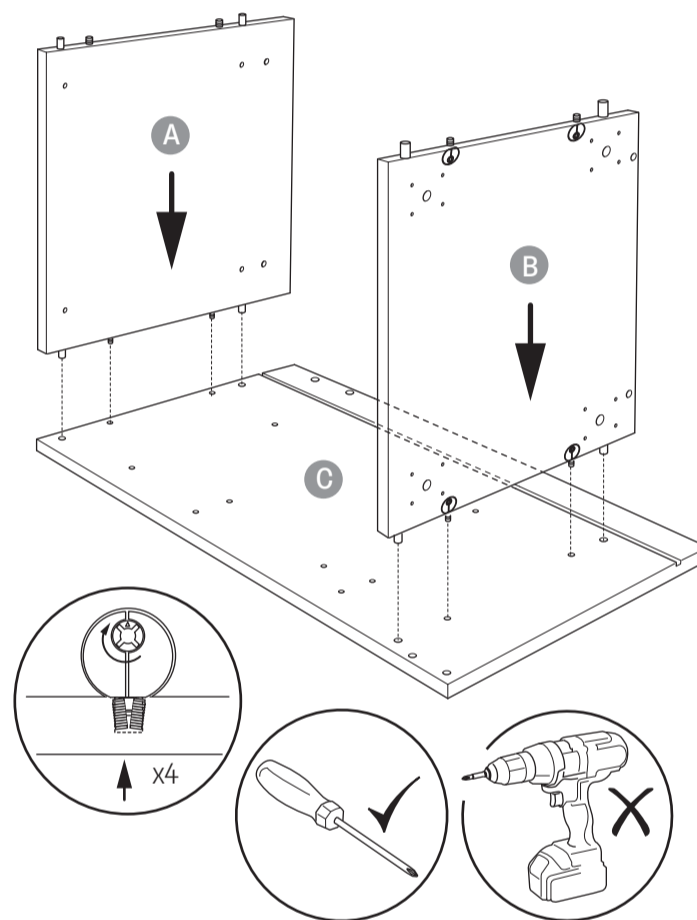
1 Fit cams and dowels to the top and base panels (A&B).



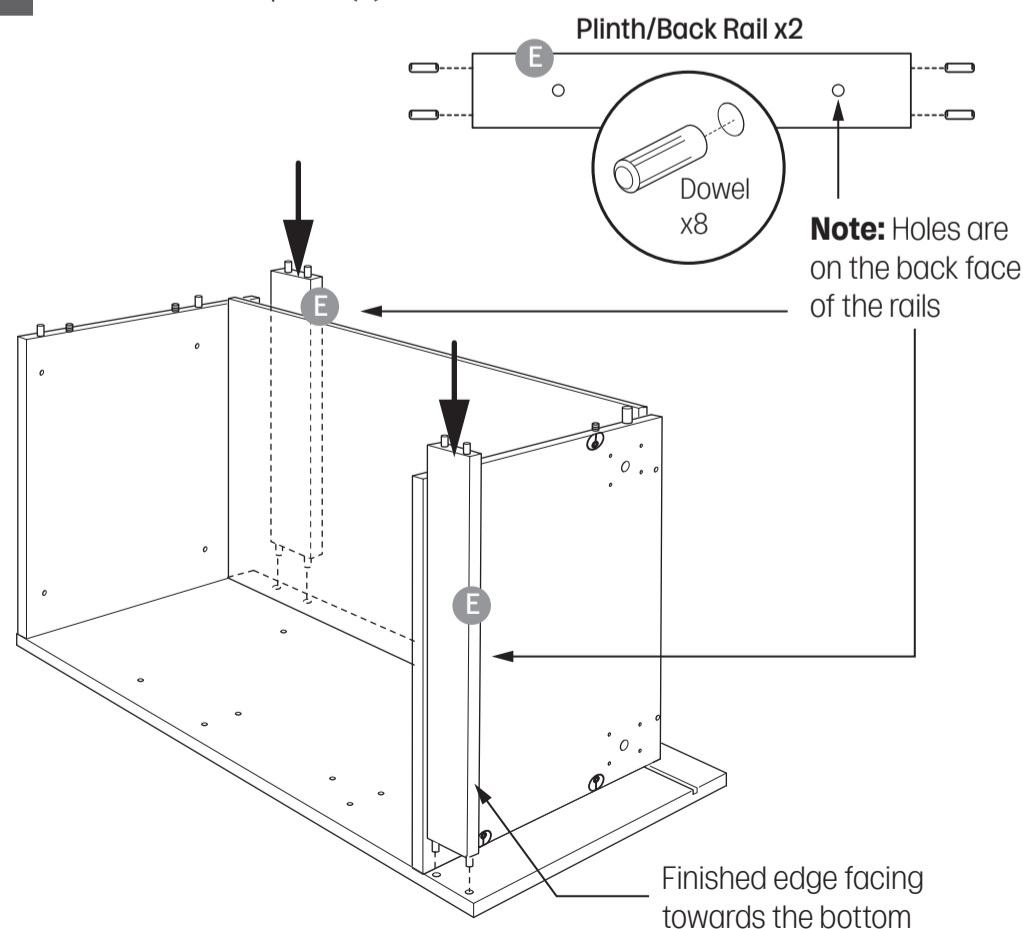
3 **Note:** Make sure back panel (D) locates into the groove in the side panel.



2 Assemble top/base panel to side panel (C). Turn cams to lock panels together.
Note: Cams should be facing outwards.

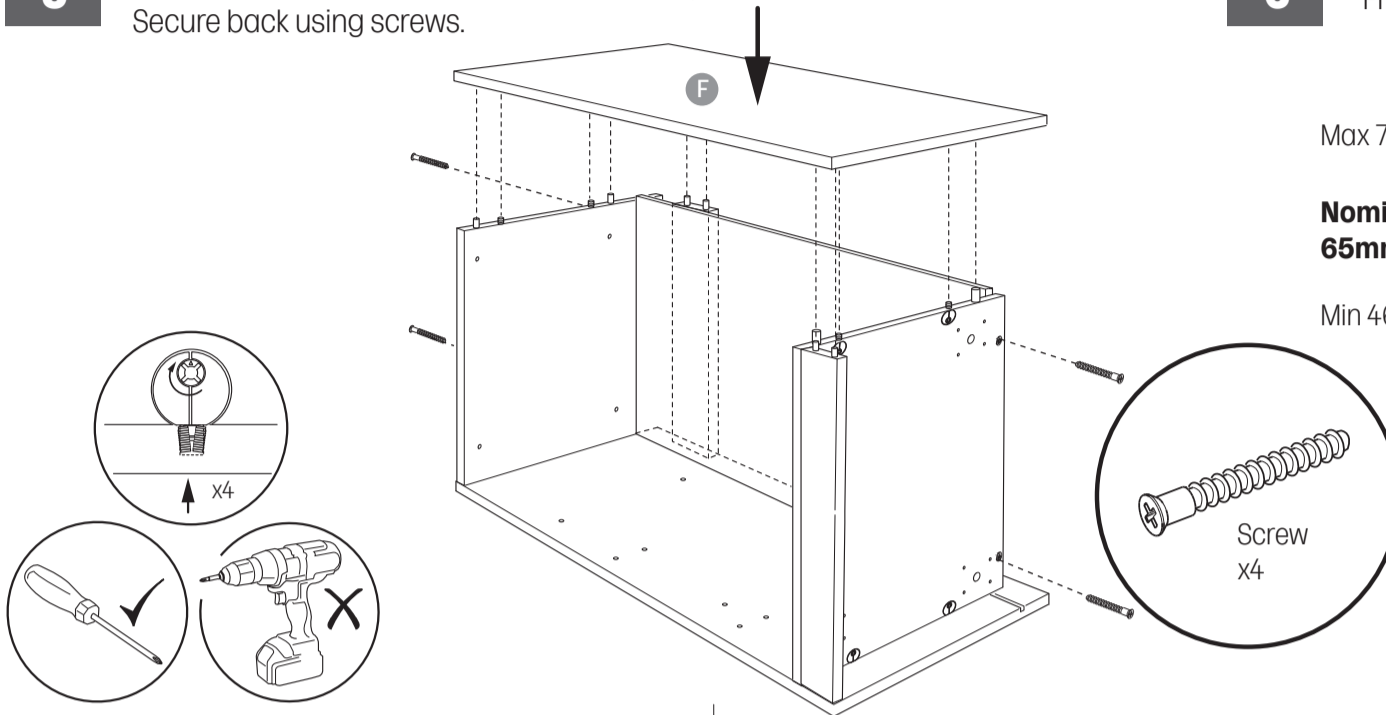


4 Fit back rail and plinth (E).

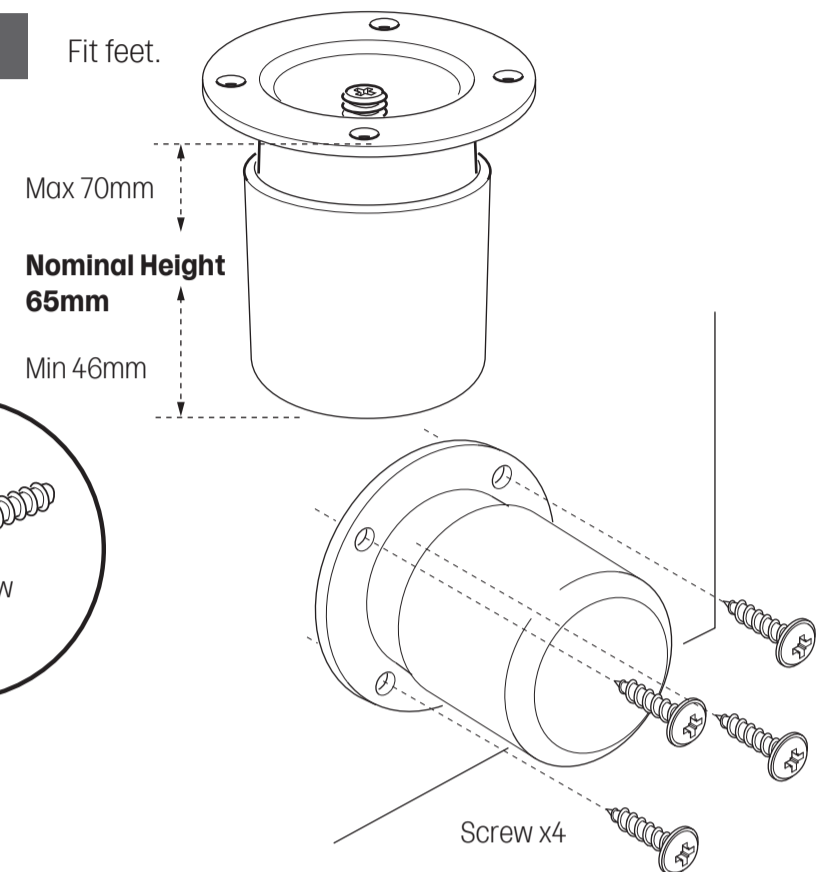


Assembly

- 5** Fit side panel (F). Turn cams to lock panel together. Secure back using screws.

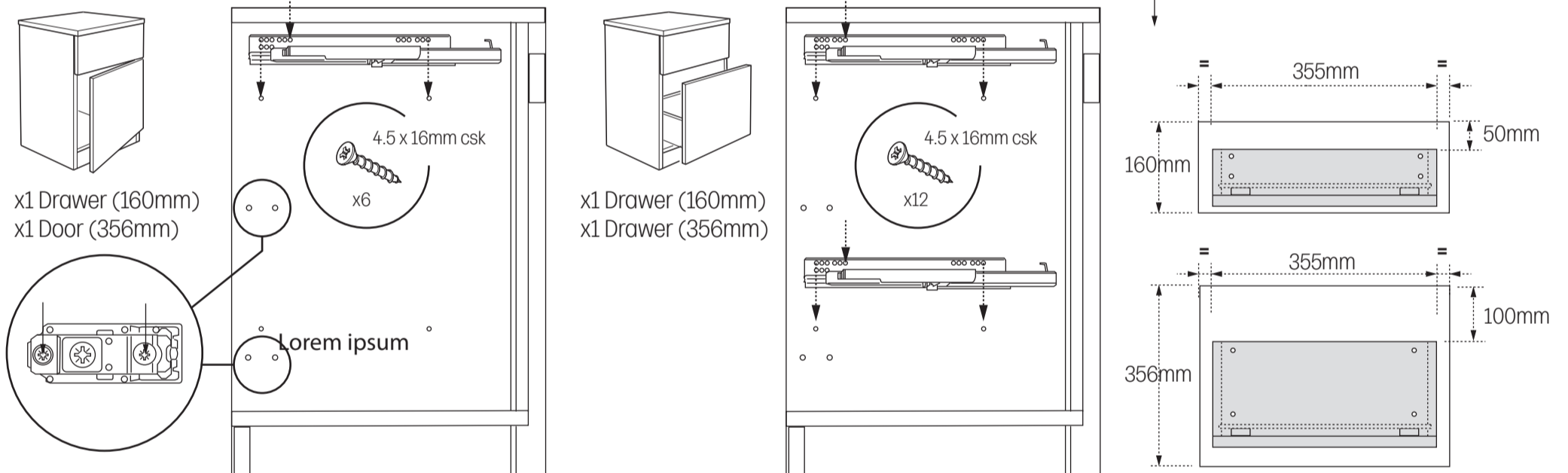


- 6** Fit feet.



Drawer runner & hinge locations

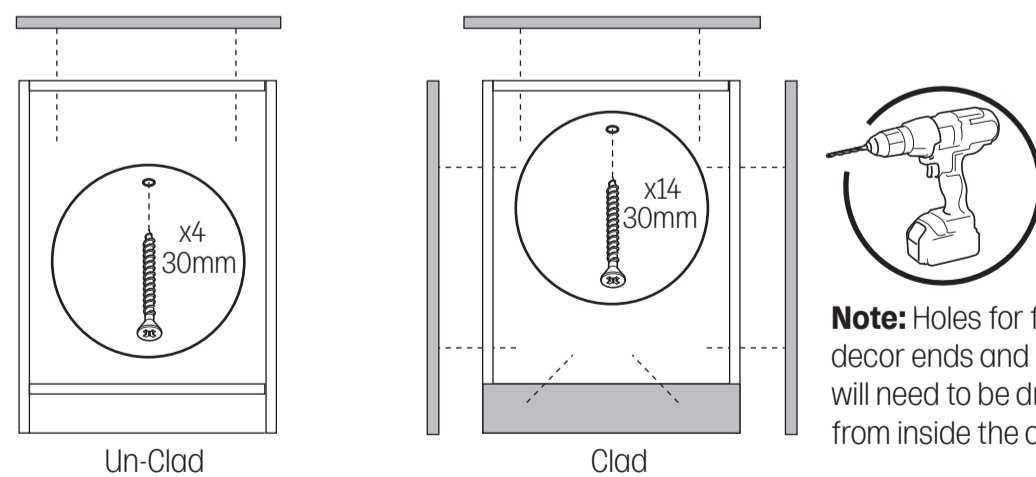
Secure runners to the side panels in the locations shown below, depending on the configuration.



Fitting top and decor ends

Fit the top to the bedside table (SKU code *****2G - 404mm), securing up through the bedside table, using screws to secure.

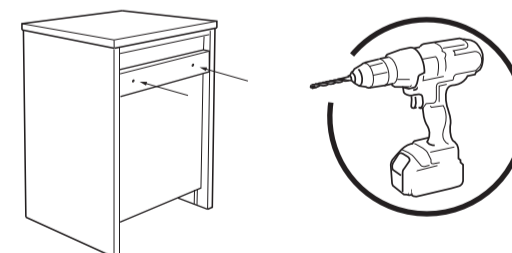
Note: The bedside table can be clad at the sides/plinth using decor ends (range specific). If doing this, a wider top (440mm) will be required (SKU code *****2D).



Fixing to the wall



CABINET MUST BE SECURED TO THE WALL USING SUITABLE WALL FIXINGS



Drill through the holes in the back rail to create clearance holes for wall fixing screws.



FOLLOW THE BEDROOM INSTALLATION MANUAL FOR ALL OTHER ASPECTS OF BEDSIDE TABLE INSTALLATION INCLUDING, FOOT ADJUSTMENT, DRAWER ASSEMBLY/FITTING & DOOR HINGE FITTING AND ADJUSTMENT.

