

# Decor End Use - Halesworth & Bridgemere

## Planning considerations

# DEULE01



**This information is specifically for Halesworth and Bridgemere decor end panel use.**

Decor end panels for these ranges are manufactured from a different surface material to that of the frontals and corner posts (decor ends are Melamine and frontals/corner posts are a Polypropylene foil). In certain lights there can be a surface finish difference, where the decor end and frontal/corner post are situated directly adjacent to one another.

Below are four scenarios when this visual difference can occur and our recommendations for how to plan and minimise any surface finish discrepancies, when using the decor ends for these ranges.

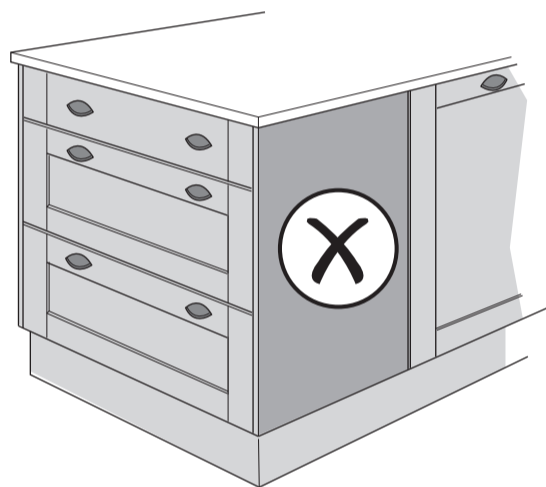
### Scenario 1 - Island applications

Frontals should be used to clad an island end cabinet, when adjacent to frontals.

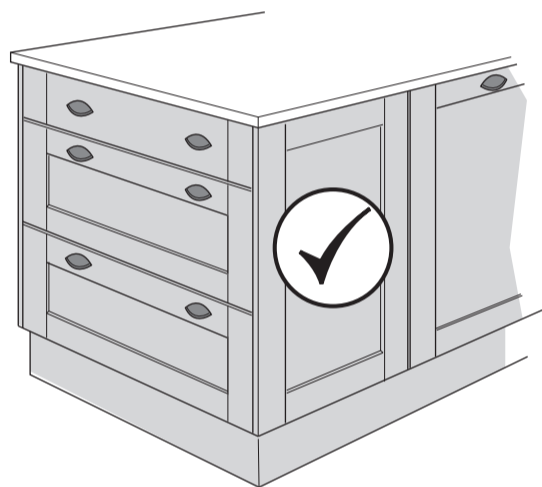
### Scenario 2 - Infill applications

For small infill areas adjacent to frontals, use the 150mm pull-out slab frontal or for taller infills (in a larder/tower application), a section of 18mm wrapped plinth.

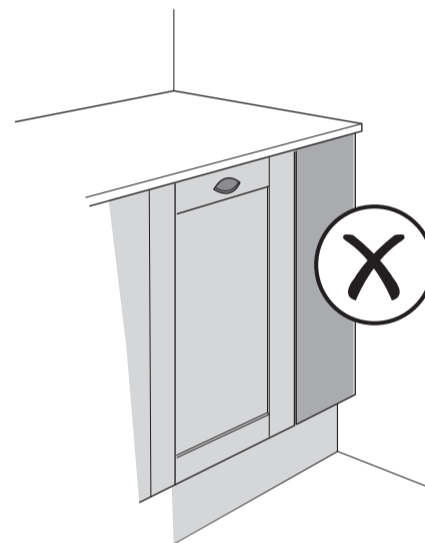
**Note:** For wider infills/returns, use a T&G panel reversed (see scenario 3 below).



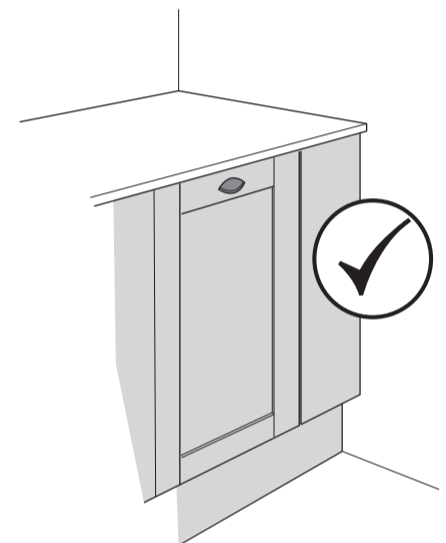
Decor end use



Frontal use  
(Dummy frontal)



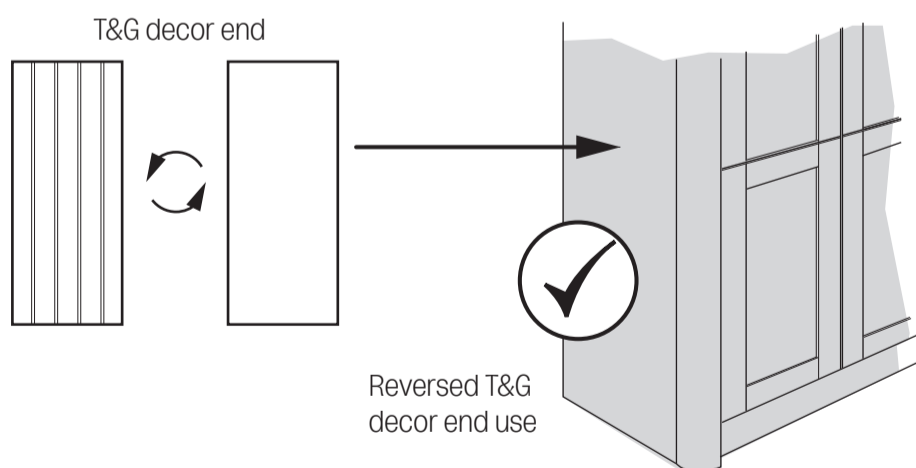
Decor end use



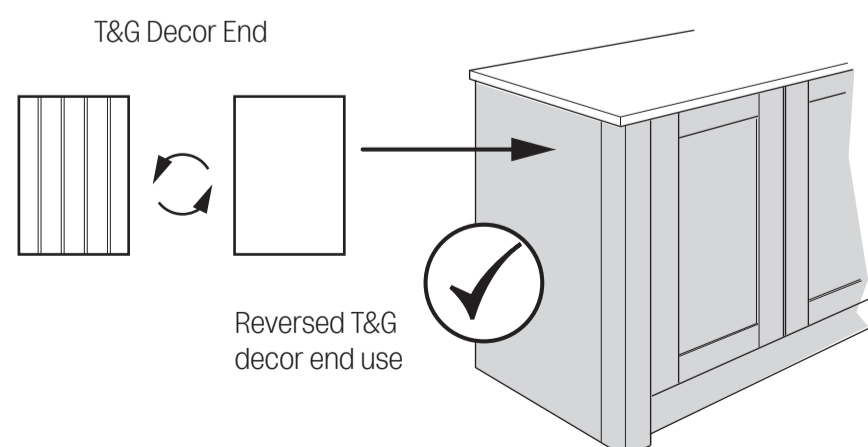
150 Pull-out frontal, plinth or  
reversed T&G decor end

### Scenario 3 - Curved corner or thick decor end post application

Use the smooth side of a T&G decor end panel as a replacement for a standard decor end panel. The material on the T&G decor end is the same Polypropylene as the curved/square post, so no difference in surface finish will be seen when these products are directly adjacent.



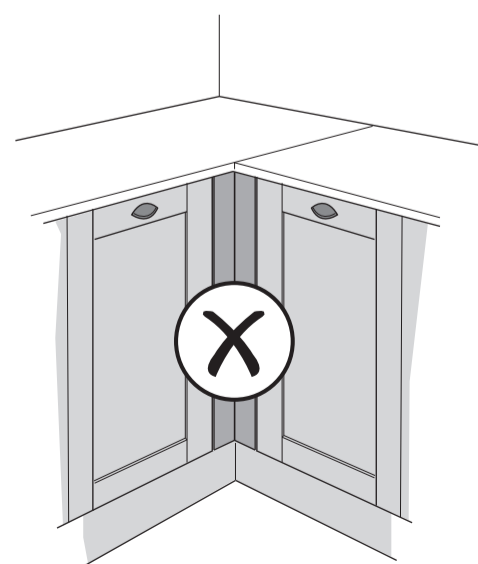
Reversed T&G  
decor end use



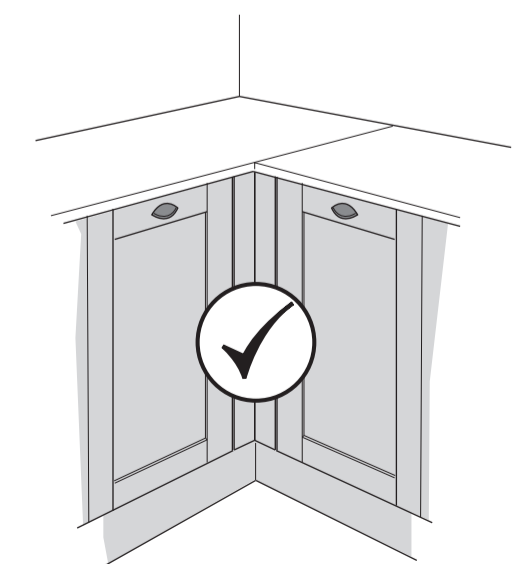
Reversed T&G  
decor end use

### Scenario 4 - Bespoke corner fillets

For bespoke corner fillets adjacent to frontals, use the 150mm pull-out slab frontal or for taller fillets (in a larder/tower application), a section of 18mm wrapped plinth.



Decor end use



150 Pull-out frontal  
or plinth

Note: Images are for pictorial purposes and may not reflect the actual product.