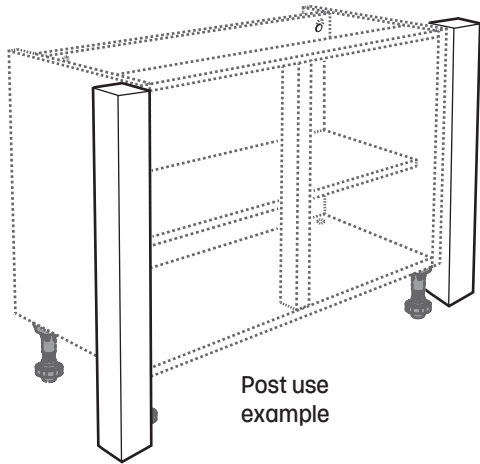


# Square Corner Post

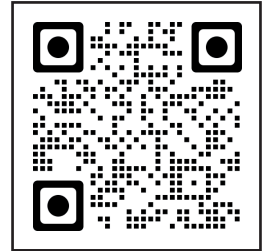
# HADLE9C



**NOTE:** Ensure packaging is disposed of in a safe environmentally friendly way



Scan the QR code with your smart device to access a digital copy of the kitchen installation manual



## Assembly applications

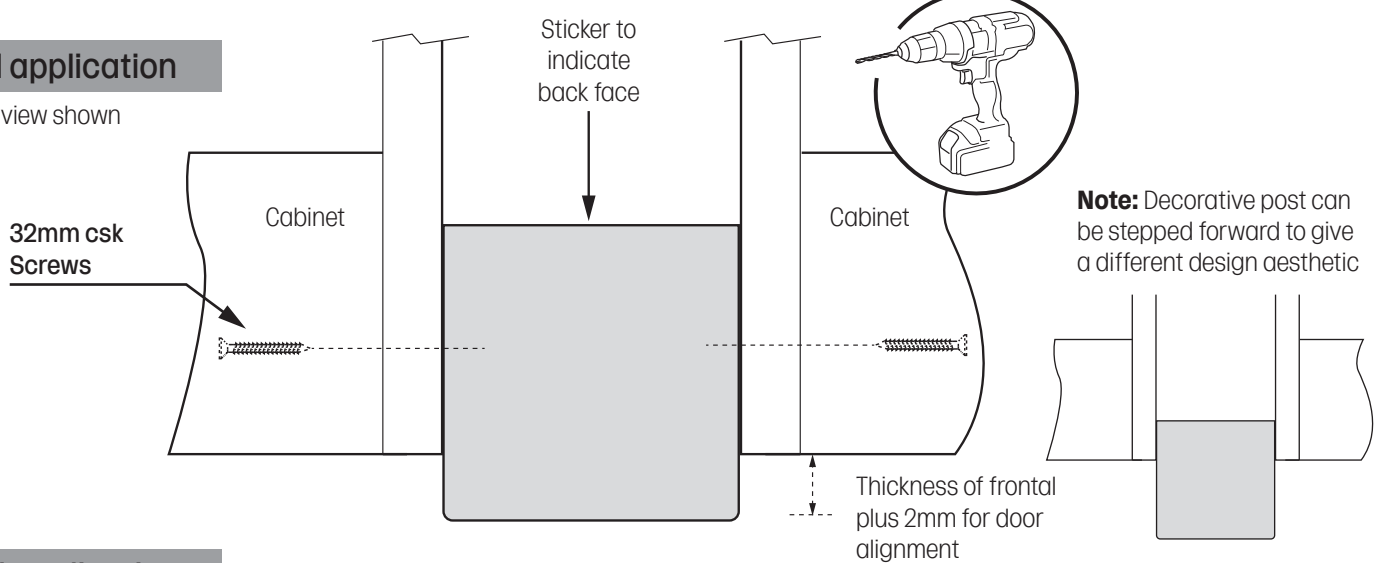
Measure and cut post dependent on cabinet application. Post is supplied at 940mm in height.



**Note:** Screw holes must be pilot drilled in the corner post

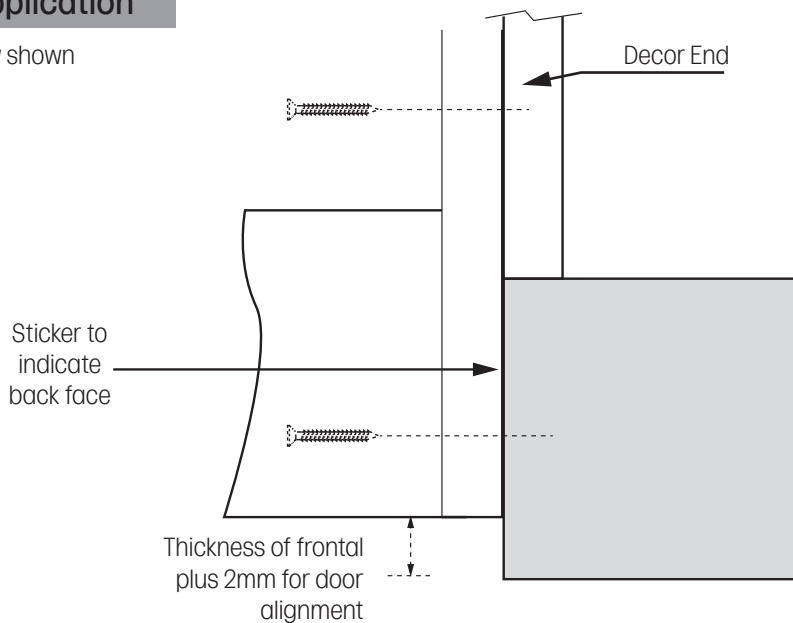
### Mid application

Plan view shown



### End application

Plan view shown



Follow your installation manual for all other aspects of kitchen installation

HD129003