

Decorative Plinth

Installation

HADLE6

Important Notes:

Ensure packaging is disposed of in a safe environmentally friendly way

Decorative plinth should be 'dry fitted' first, before any glue/permanent fixing is carried out.

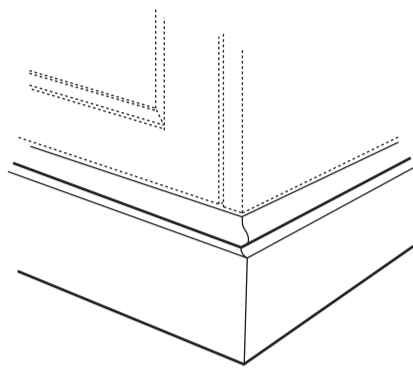
Cabinets should be fitted and levelled before installation of the plinth.

Plinth sections may require scribing to the contour of the floor.

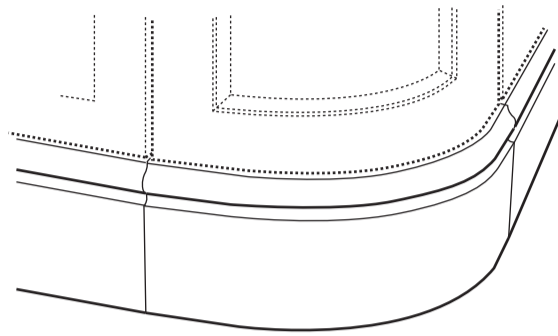
Any cut edges should be sealed using a waterproof varnish to protect against moisture ingress.

The highest point of the plinth should be established first (Max height 180mm)

Ensure all dimensions are checked before cutting. Make sure tool blades are sharp.



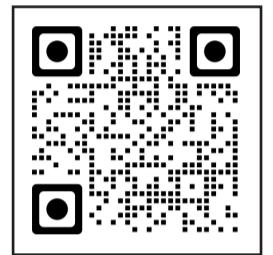
Straight Plinth application



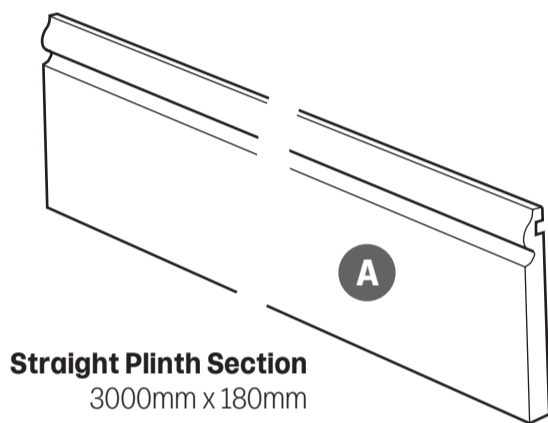
Curved Plinth application



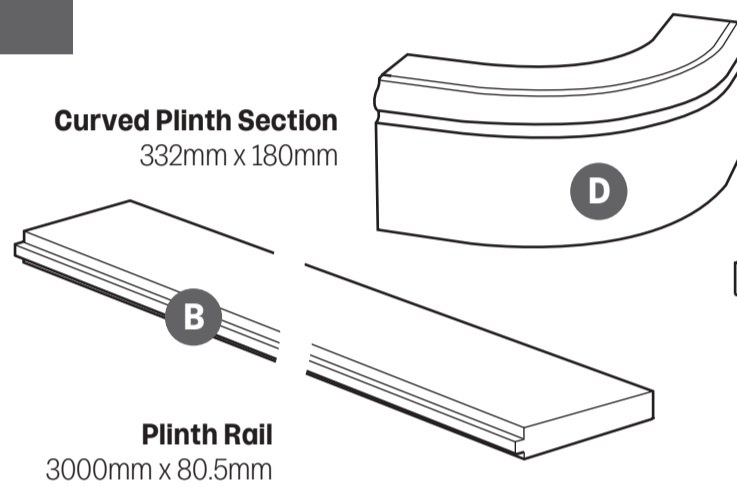
Scan the QR code with your smart device to access a short installation video



Components supplied

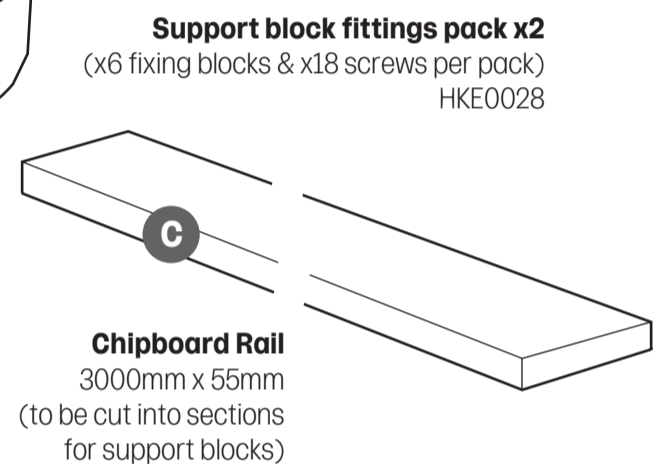


Straight Plinth Section
3000mm x 180mm



Curved Plinth Section
332mm x 180mm

Plinth Rail
3000mm x 80.5mm



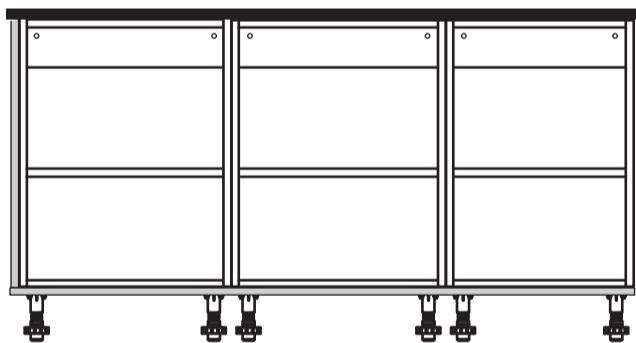
Support block fittings pack x2
(x6 fixing blocks & x18 screws per pack)
HKE0028

Chipboard Rail
3000mm x 55mm
(to be cut into sections for support blocks)

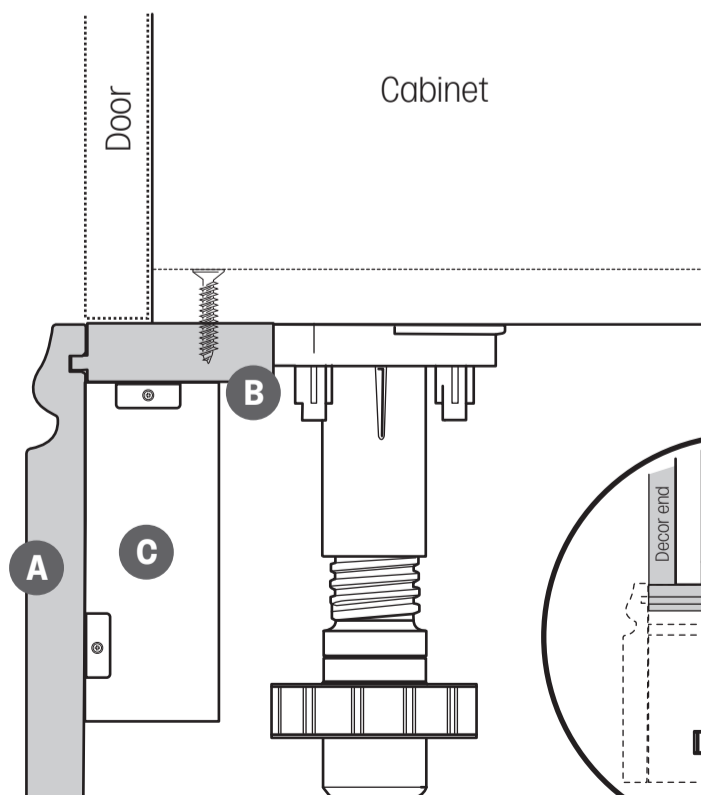
Plinth fixing principle

General application

Rail secured to the underside of the cabinets, with 'tongue' facing the front.

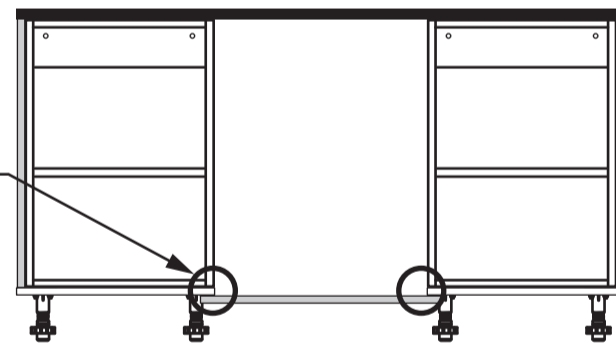


Side View

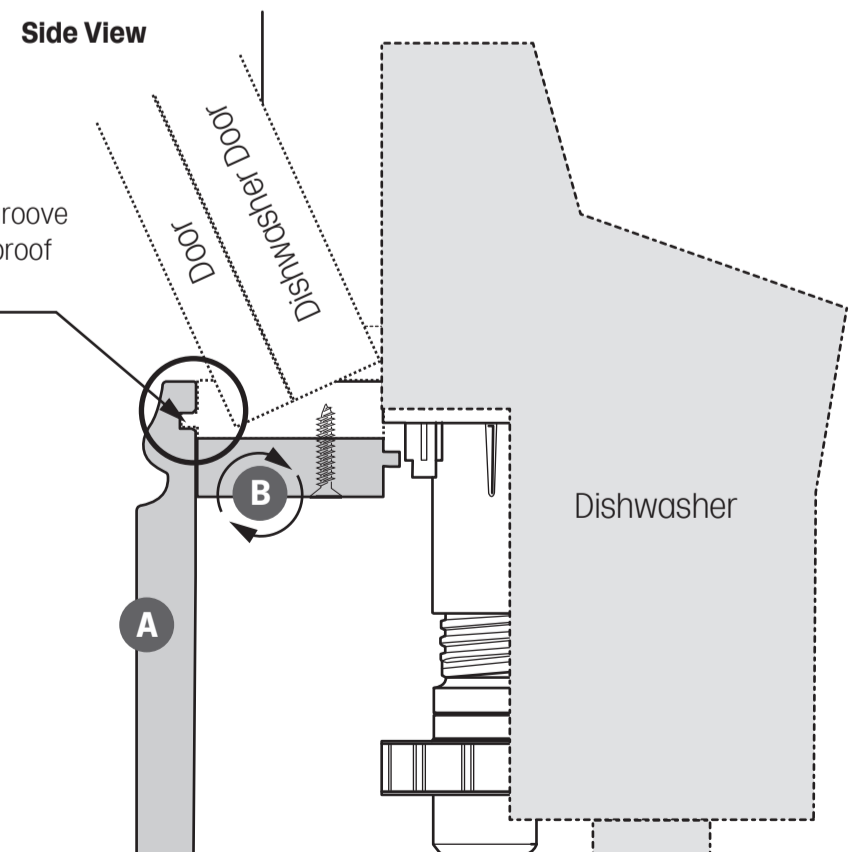


Dishwasher application

Rail reversed and positioned under adjoining rails to allow door opening clearance.



Side View



Sealing raw cut edges

Seal the cut edges of plinth rail using a waterproof varnish

Seal Plinth Groove

Ensure exposed plinth groove is sealed using a waterproof varnish

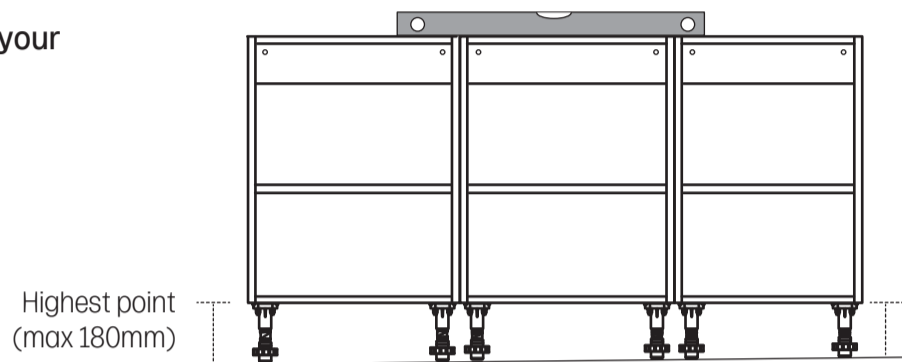
General installation



Please read through all the assembly stages before starting installation.
 Before installation, ensure all cabinets are installed and level.
 Decor ends should be fitted flush with the base of the cabinets (unless 'down to the floor' application is being used).
Note: Decor ends should protrude the cabinet front by 20mm.
 Dry fit the components first before final installation.

1

Establish the highest point of your cabinets as your start point.

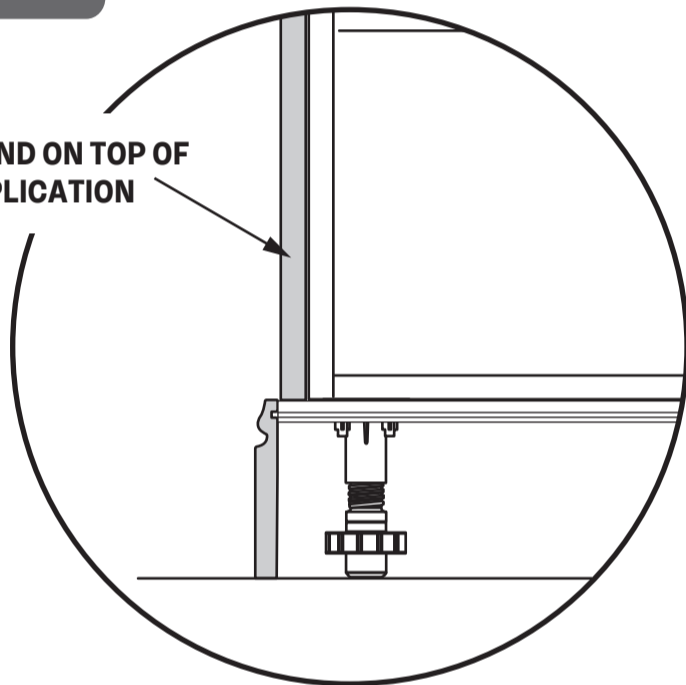


2



Please ensure all dimensions are checked before cutting panels

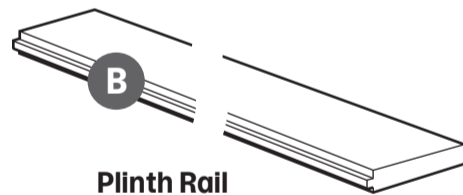
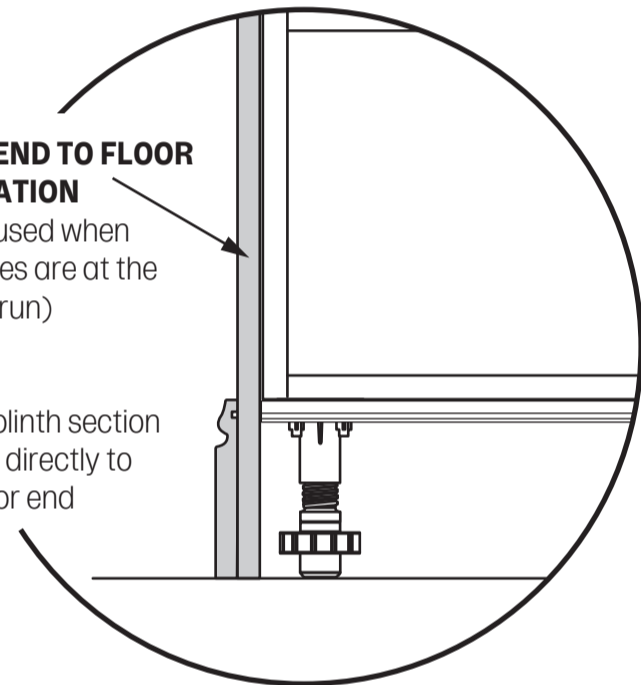
DECOR END ON TOP OF RAIL APPLICATION



DECOR END TO FLOOR APPLICATION
 (can be used when appliances are at the end of a run)

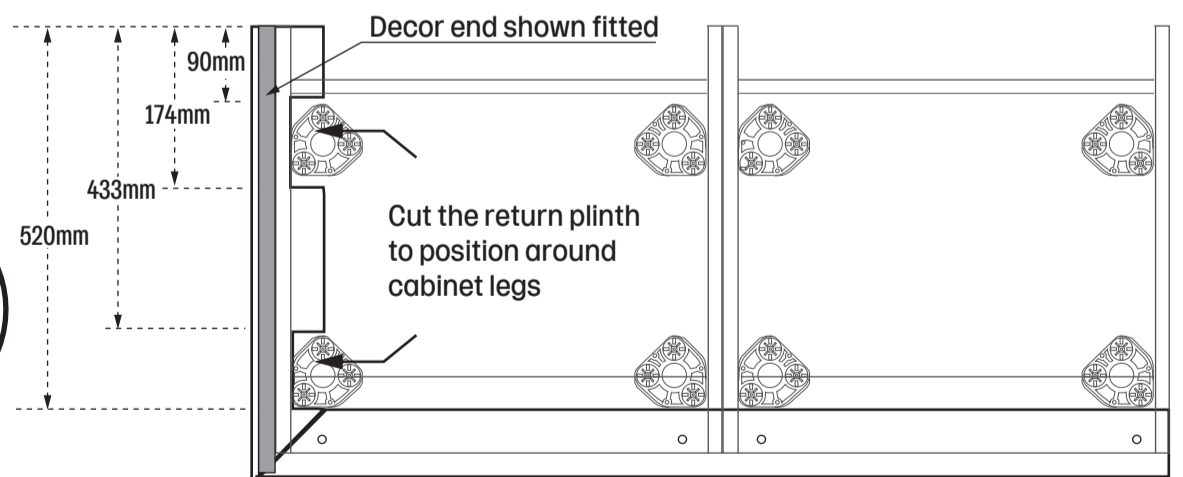
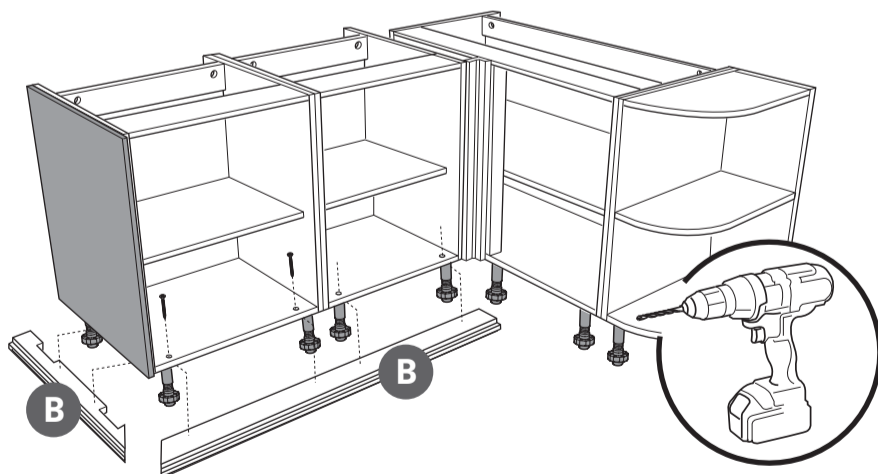
Return plinth section secures directly to the decor end

Return plinth section secures directly to the decor end



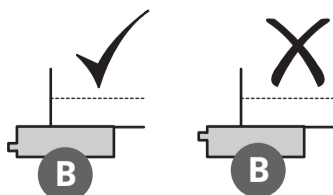
Plinth Rail
 3000mm x 80.5mm

Measure the width of the run and cut plinth rail (B) as required (45° mitre for return as required).
Note: If returning the plinth around the cabinets at each end, make sure the additional length is taken into account as shown below. If your decor end is coming down to the floor, the return rail does not need to be fitted. The decor end can sit on top of the rail (flush with the bottom edge of the cabinet). Alternative fixing shows the decor end running down to the floor. This would also be used when an appliance is being fitted at the end of a run.

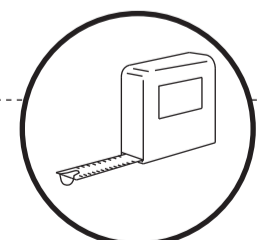


30mm csk

Fit the rail(s) to the cabinet using screws to secure.
Note: Make sure the back of the rail is flush with the legs. Hold rail in place with clamps whilst securing.

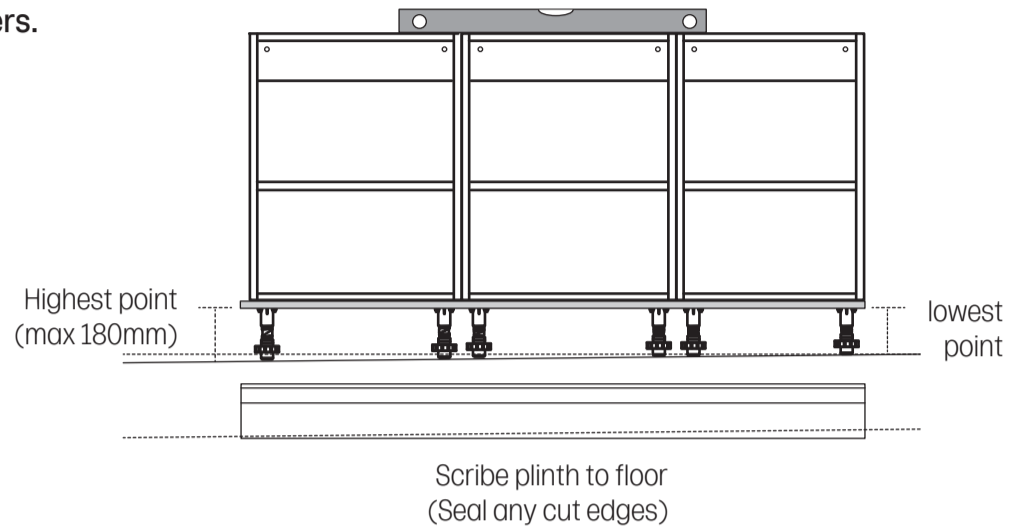
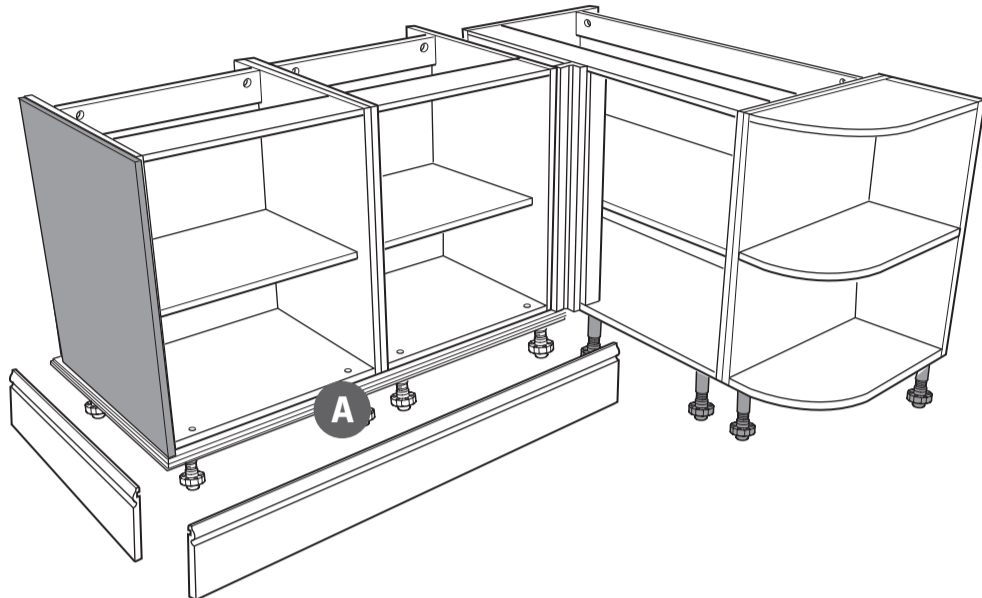


Rail length
Note: Allow for decor end thickness at the side of the cabinet if returning the rail.



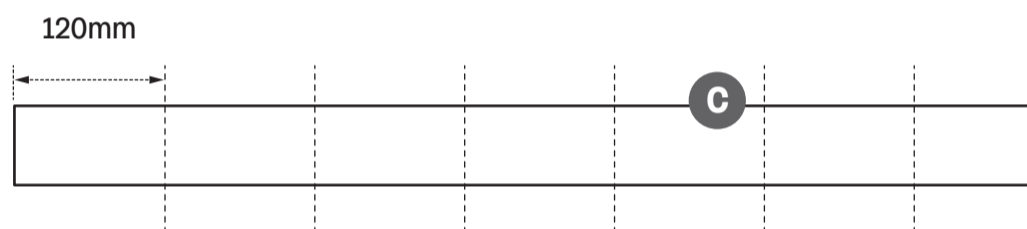
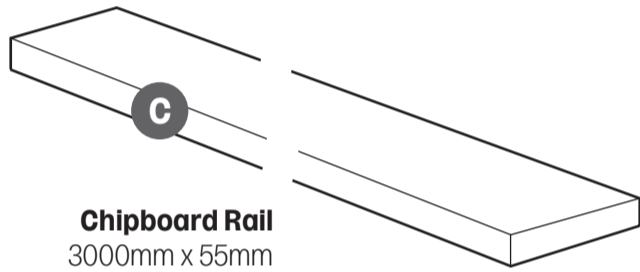
3

Position the plinth (A) to the rail and mark for any scribing to the floor. Cut the plinth as required, mitring the external & internal corners.



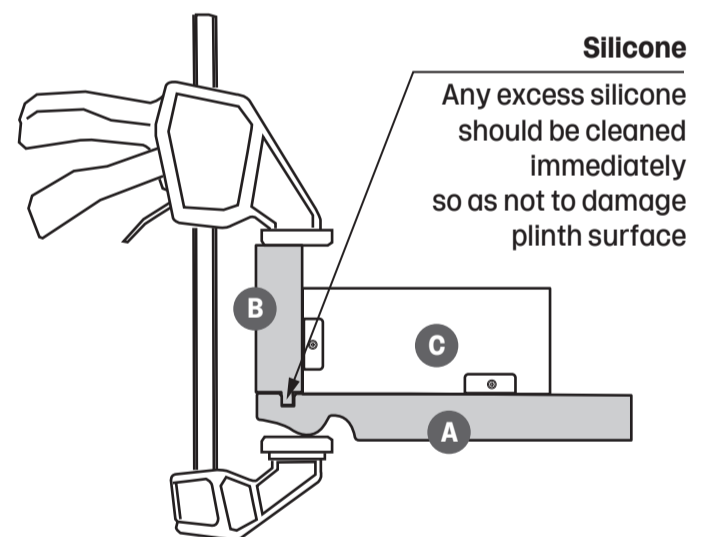
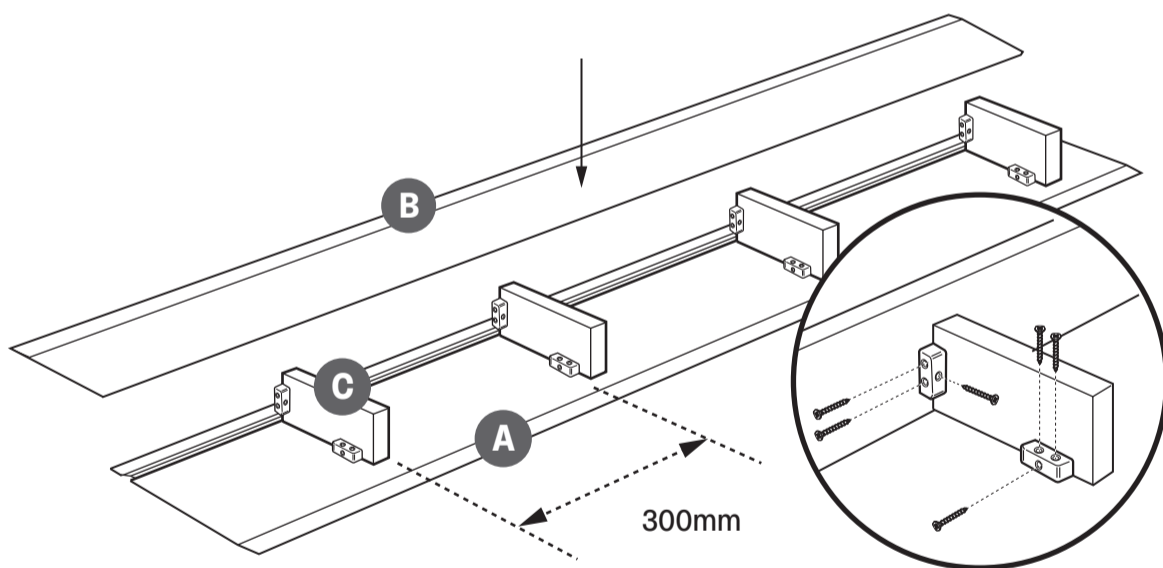
4

Remove the plinth & rail from the cabinet so they can be assembled for the final fit. Cut the chipboard rail (C) into sections to form fixing blocks. Each section is 120mm in length.



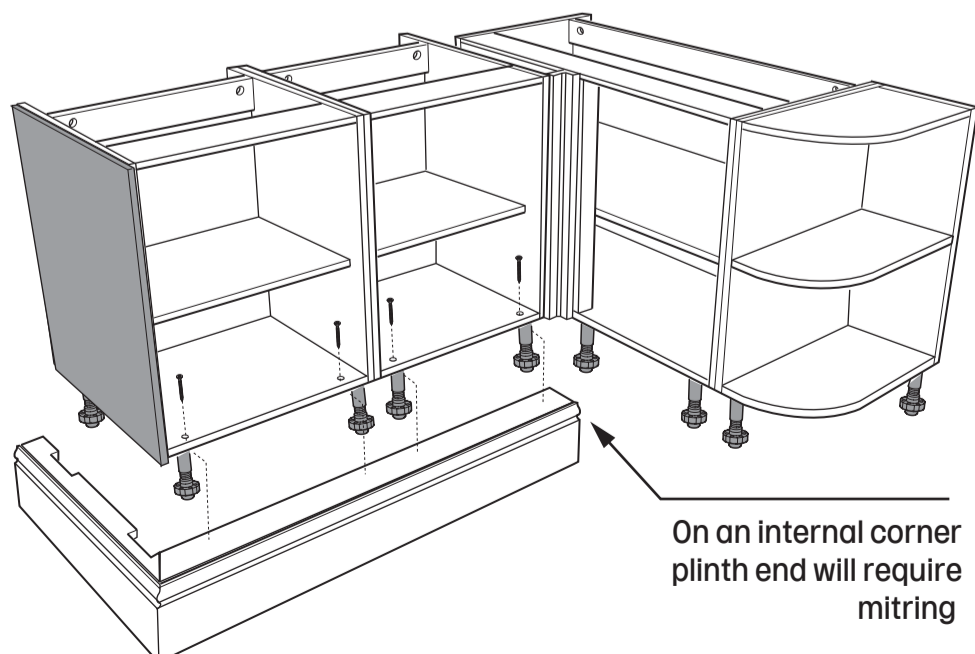
5

Secure the plinth assembly together using silicone, aligning the groove in the plinth with the plinth rail (B). Fit fixing blocks as shown. **Note:** Use silicone along the edge to protect. Use clamps to hold the pieces together to ensure a firm bond.

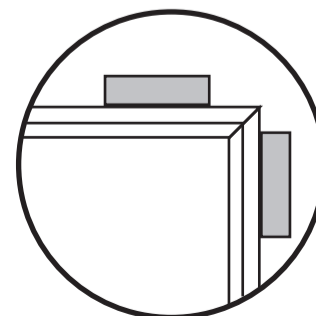


6

Position the assembled plinth to the cabinets and secure in place using the screws. **Note:** Use silicone to join plinth on the mitred corners. If your decor end is running to the floor, secure the plinth directly to the decor end.

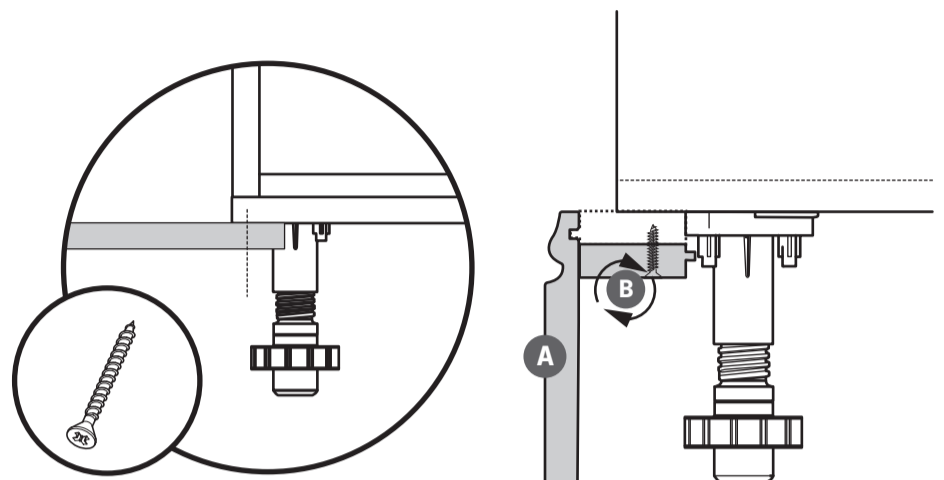
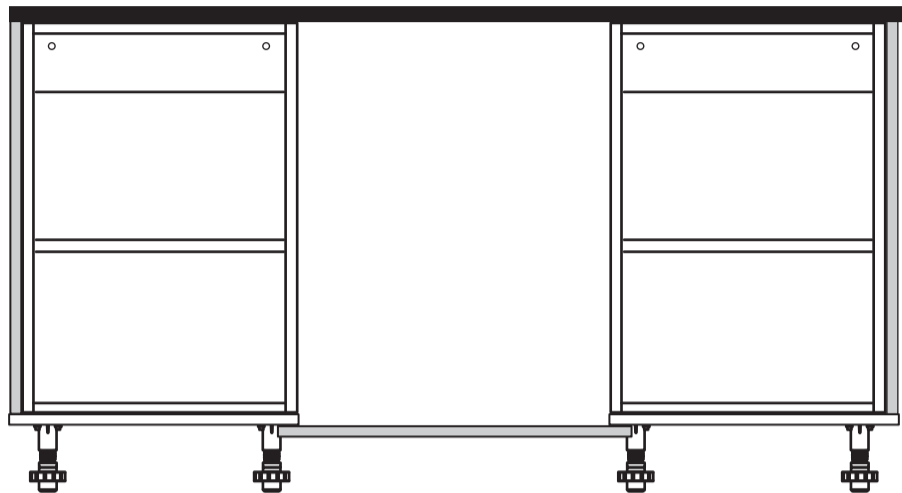


For additional stability of the plinth on internal corners, wooden battens can be secured to the floor behind the plinth.



Dishwasher application

Dishwasher applications require the rail to be positioned lower and reversed (flat edge towards the front). Secure to the adjoining rails each side.



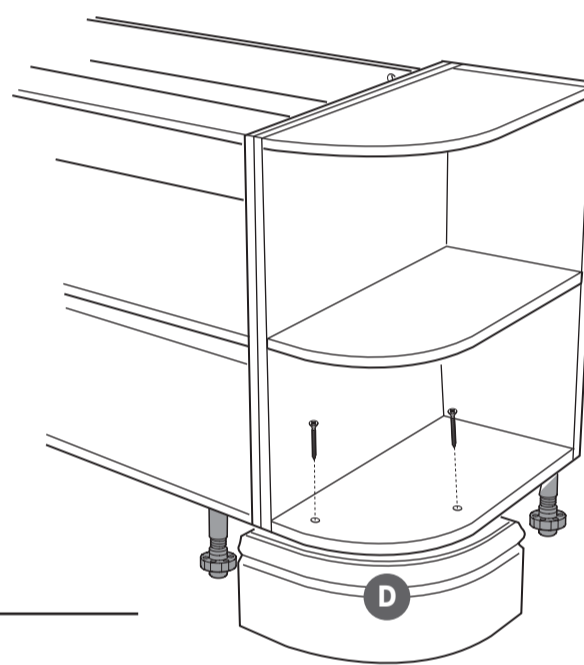
Any cut/raw edges should be sealed using a waterproof varnish to protect against moisture ingress.

Curved plinth application

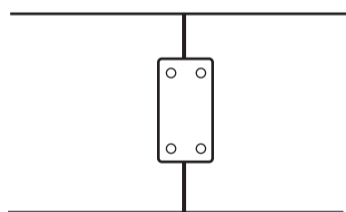
The curved plinth has been pre-assembled (plinth and rail). Fit this to the corner of the cabinet and secure using screws. **Note:** Plinth will require notching around the legs. Measure for straight plinth return and fit as shown in this leaflet.



Care should be taken if scribing the curved plinth at the bottom.



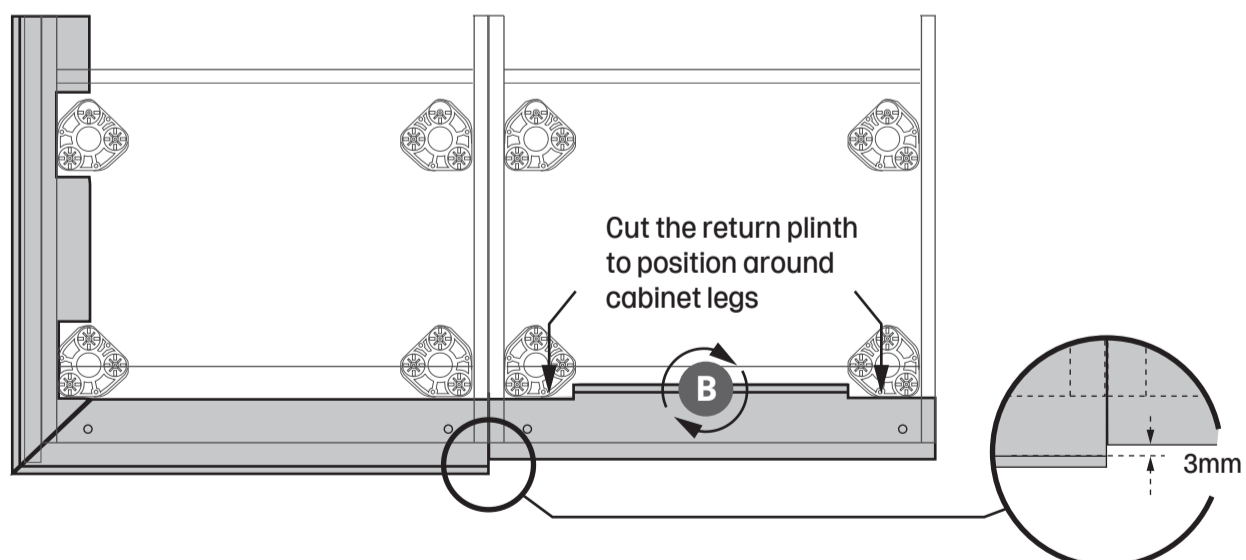
Join plinth sections together using metal jointing plates (HKC0020) as required.



Plinth drawer application

Where a plinth drawer is being fitted, the section of rail needs to be reversed (flat edge towards the front) and positioned 3mm back from the front edge of the adjoining rails (once the plinth is fitted).

Note: This is to allow the 'push to open' functionality as required. Notch the rail (B) around the legs.



Cut the plinth to the size of the cabinet, reducing the width by 2mm each side.

Follow the kitchen installation manual for drawer front fixing details to fit the plinth to the front of the drawer box.

Note: Plinth may require scribing to the floor.

