

Scan the QR code with your smart device to access a digital copy of the kitchen installation manual



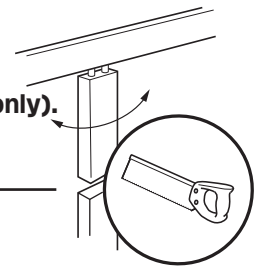
Important Notes:
 Ensure packaging is disposed of in a safe environmentally friendly way.
 A space saver plumbing kit & flexible connectors for taps must be used.
 Any access holes for pipework should be slotted to ensure panels can be removed with minimum disturbance to plumbing.
 Fittings supplied but not detailed in this leaflet are for installation purposes.

Assembly shown is for the 700, 800, 900 & 1000 sink bases.

This leaflet is a guide for installation and plumbing/panel cutting, details may vary depending on the sink & positioning of pipework

PRE-BUILD

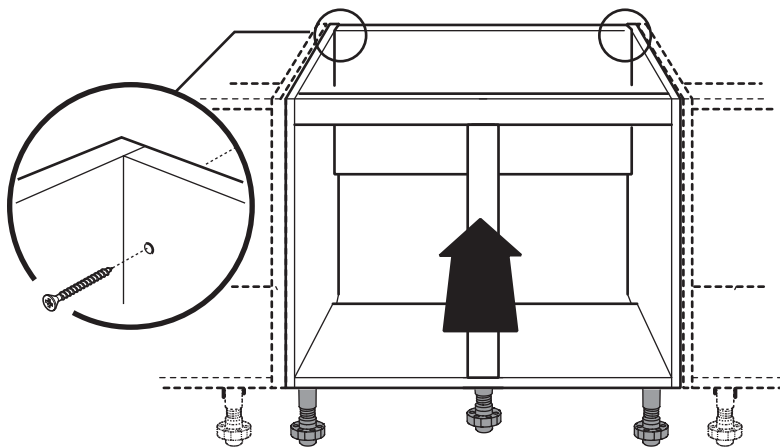
1. Remove the transit rail from the top of the cabinet (700, 800, 900 & 1000 sink base only)
 2. Remove the loose panels from the cabinet (shelf, lower back panel & rail)
 3. Fit the legs to the cabinet following the kitchen installation manual (700, 800, 900 & 1000 sink base have 5 legs)
 - 4. If you are fitting drawers into the cabinet, remove the centre rail (700, 800, 900 & 1000 sink base only). Cut the rail in half and carefully work loose**
- Note: The mid shelf will not be required in a drawer application and should be discarded.**



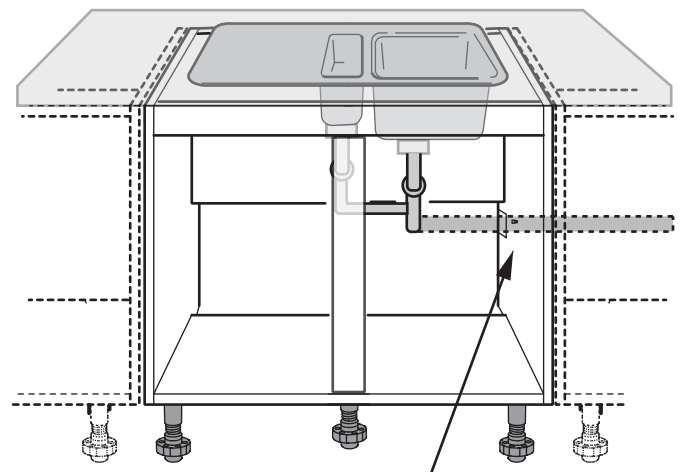
Assembly

- 1** Position the cabinet, level and secure to the wall in the positions shown. Connect to any adjacent cabinets.

- 2** Position the worktop and install sink & plumbing kit following the instructions supplied (see important notes above).



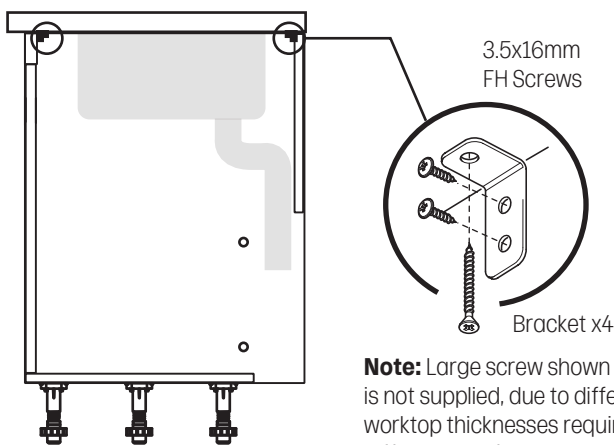
IMPORTANT:
 Ensure the middle leg is correctly adjusted to support the base panel.



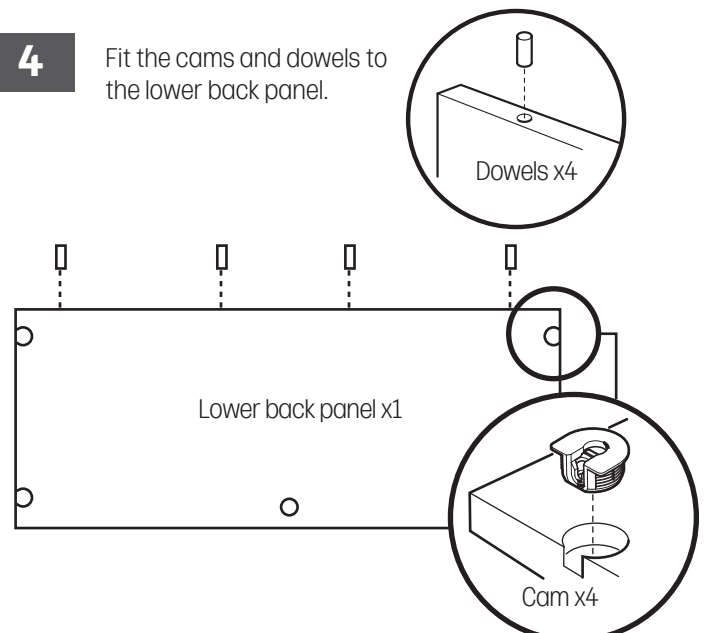
If pipework runs through the side of the cabinet, cut a slot for access.
Note: Plumbing kit shown is for pictorial purposes only (see important notes section).

- 3** Secure the worktop using the brackets and screws.
Note: If using solid surface worktops (quartz/ganite), bracket and screw fixings are not suitable. A silicone fixing will be required in this application.

- 4** Fit the cams and dowels to the lower back panel.

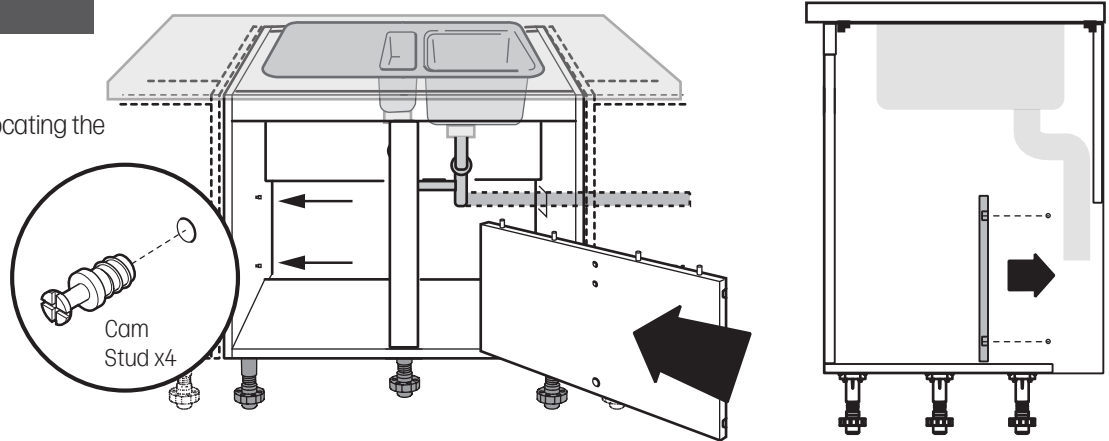


Note: Large screw shown is not supplied, due to different worktop thicknesses requiring different size fixings.



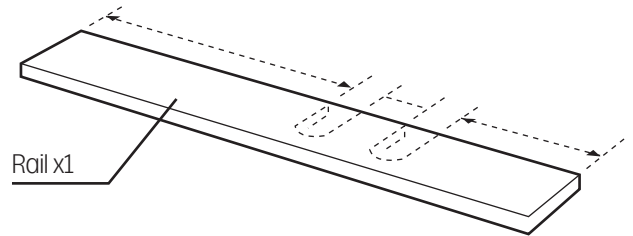
Assembly

- 5** Fit the lower back panel locating the cams onto the studs.

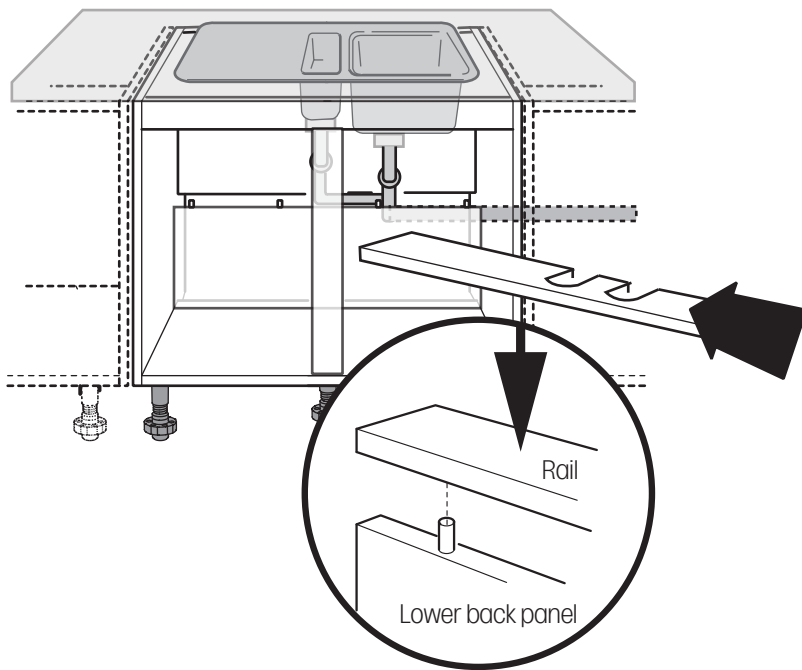


- 6** Measure for the dimensions of the pipework from each side of the cabinet. Mark and cut the slotted holes in the rail.

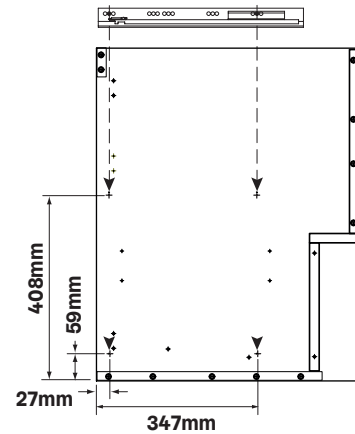
Important: Any access holes for pipework must be slotted to ensure panel can be removed with minimum disturbance to plumbing



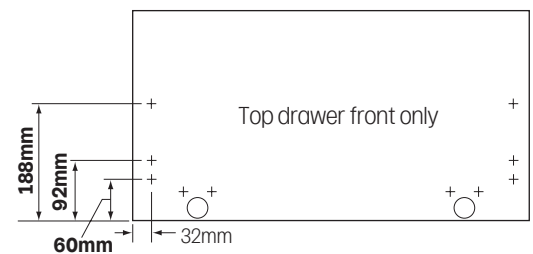
- 7** Fit the rail to the top of the lower back panel aligning the dowel holes with dowels.



- 8a** **Drawer application only**
Fit the runners to the side panels of the cabinet in the positions shown.



Top drawer front fixing positions will require re-spiking

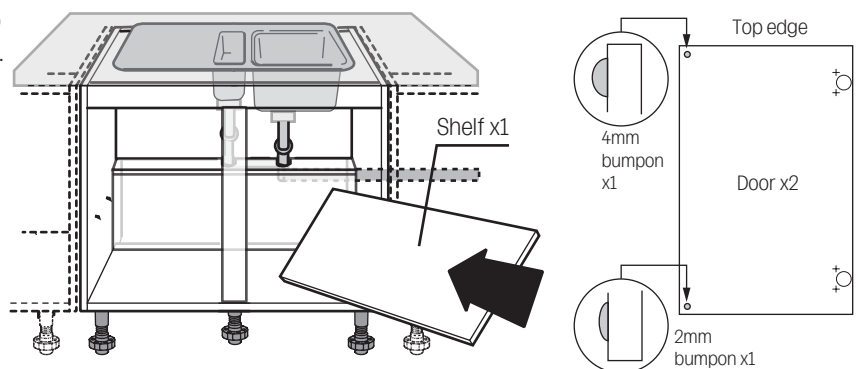


- 8b** **Shelf application (no drawers)**
Fit the shelf pegs/stud then position the mid shelf into the cabinet. **Note:** Not required in drawer application.



Shelf Peg x4 (cabinet side panel)
Shelf Stud x1 (front upright)

Follow the kitchen installation manual for all other aspects of installation including door fixing, adjustment and plinth fixing.



Drawer application

Assembly and installation for the drawer is shown in the kitchen installation manual, which can be accessed via the QR code shown on the front of this leaflet.

