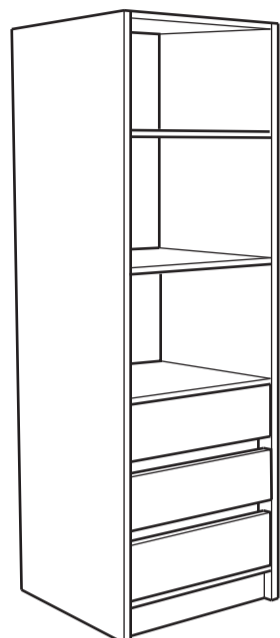


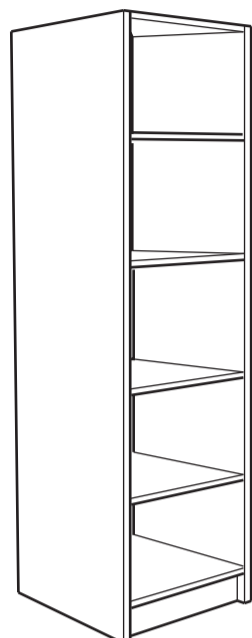
# Wardrobe Storage

## Assembly & Installation

# LEAF6TWRST



Drawer & shelving options  
(450/600mm)



Shelving option  
(450/600mm)

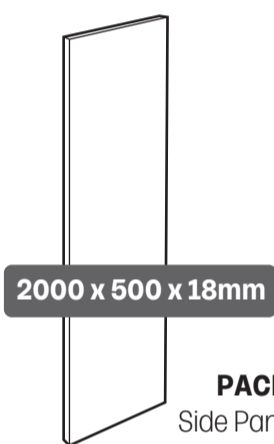
### Important Notes:

Ensure packaging is disposed of in a safe environmentally friendly way.

Wardrobe cabinet is made up using multiple SKU's supplied.

Use this leaflet in conjunction with the kitchen installation manual for drawer assembly and adjustment.

## Components



2000 x 500 x 18mm

**PACK 1**  
Side Panels x2  
(universal)

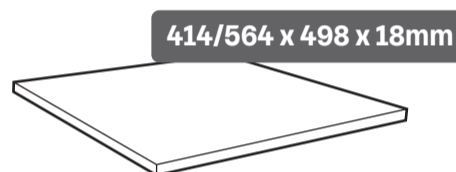


430 x 489/339 x 15mm

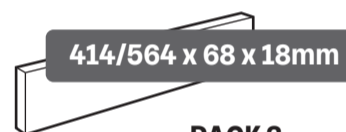


226 x 409/559 x 15mm

**PACK 2**  
Drawer Base x3  
& Drawer Front x3

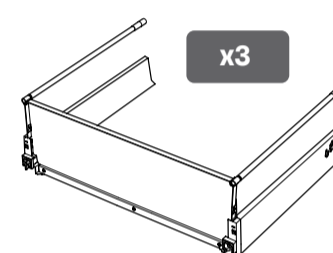


414/564 x 498 x 18mm



414/564 x 68 x 18mm

**PACK 3**  
Shelves x5  
& Rails x3



x3

**PACK 4 A (Drawer Option)**  
Drawer Boxes (Flat Pack) x3

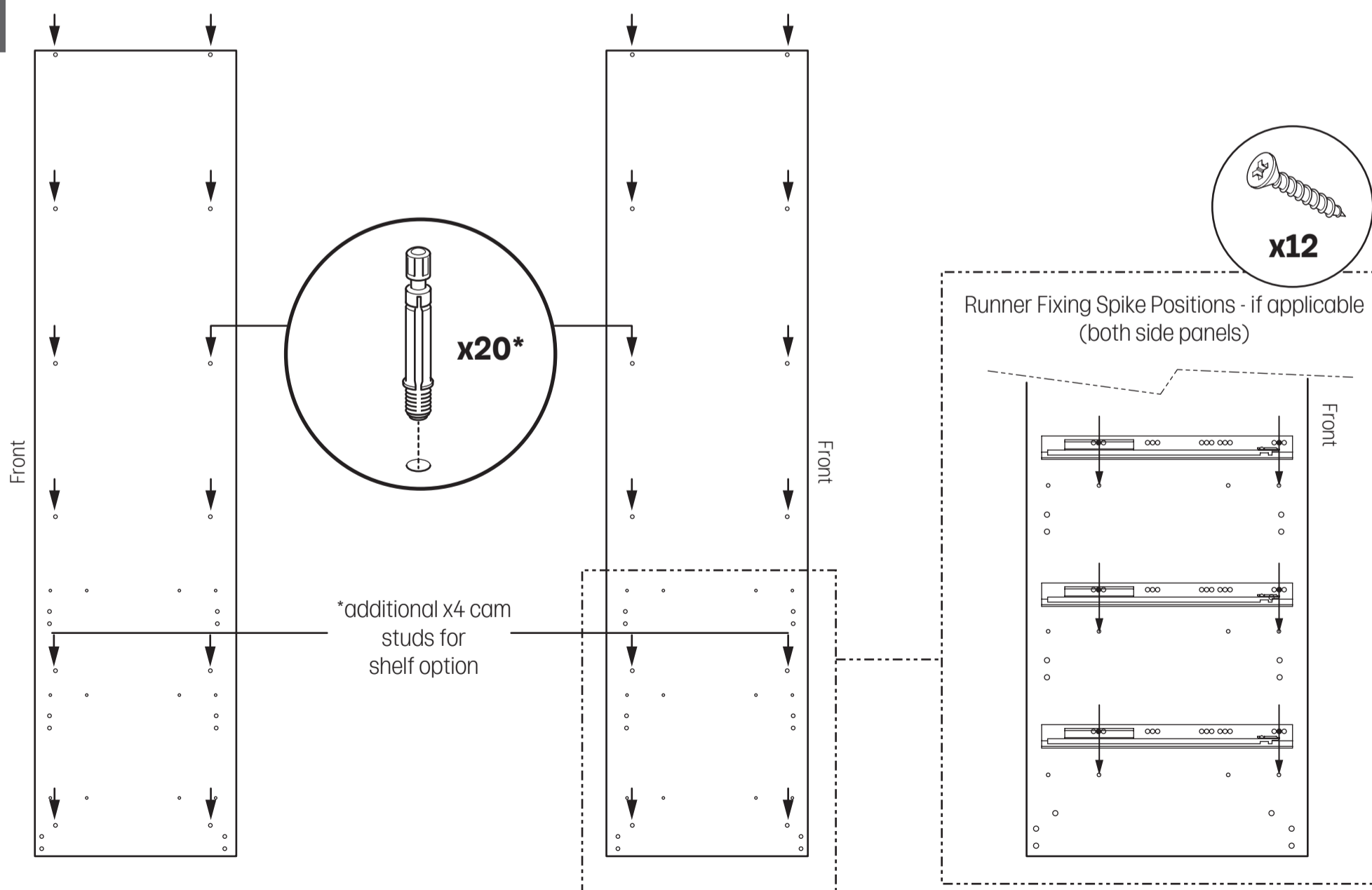


414/564 x 498 x 18mm

**PACK 4 B (Shelf Pack Option) x1**  
(for non drawer option)

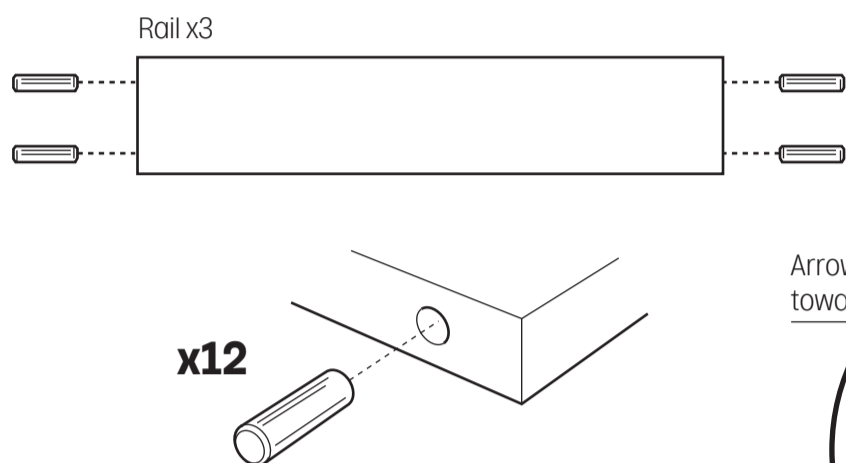
## Panel Preparation

1

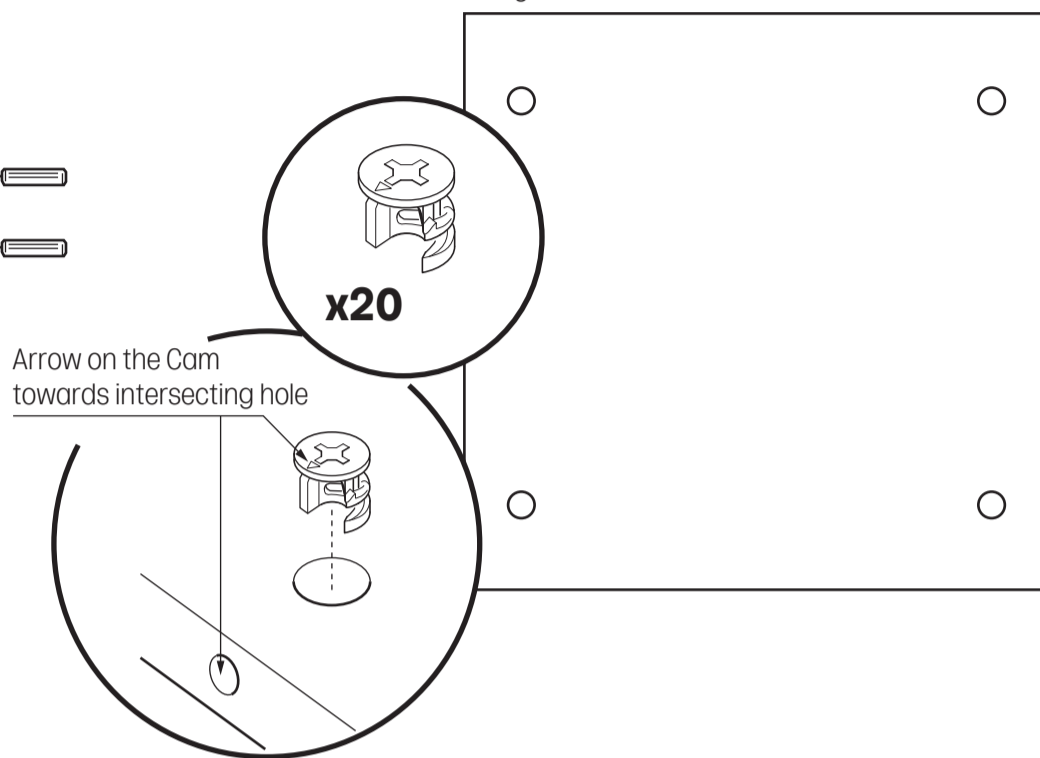


## Panel Preparation

2



Shelf x5  
Note: x6 shelves if additional shelf option is being fitted

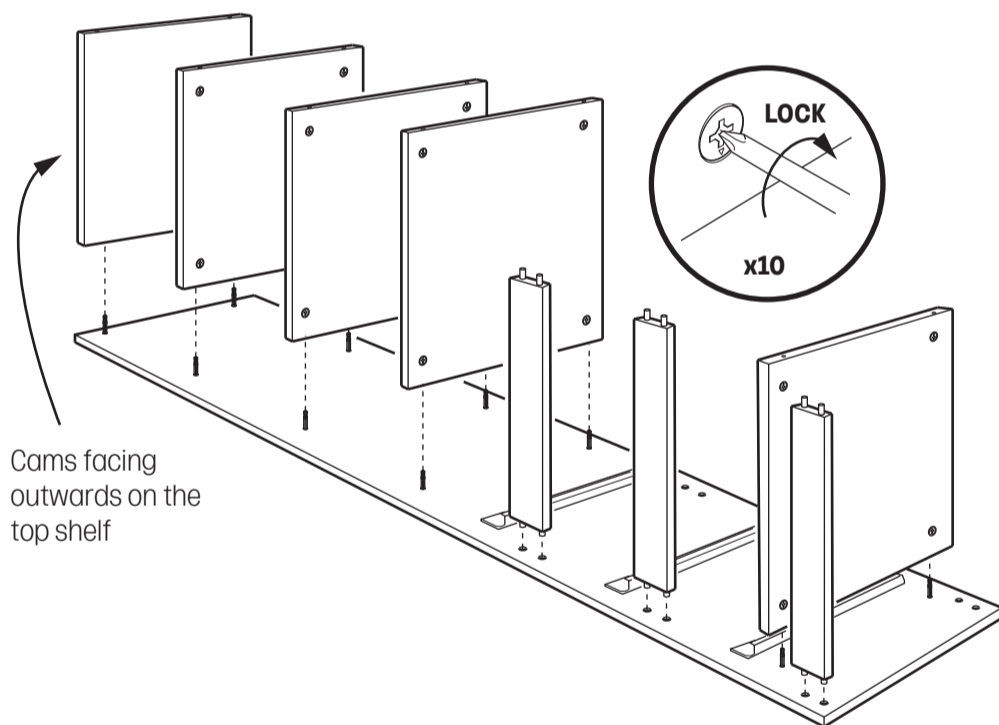


## Assembly

3



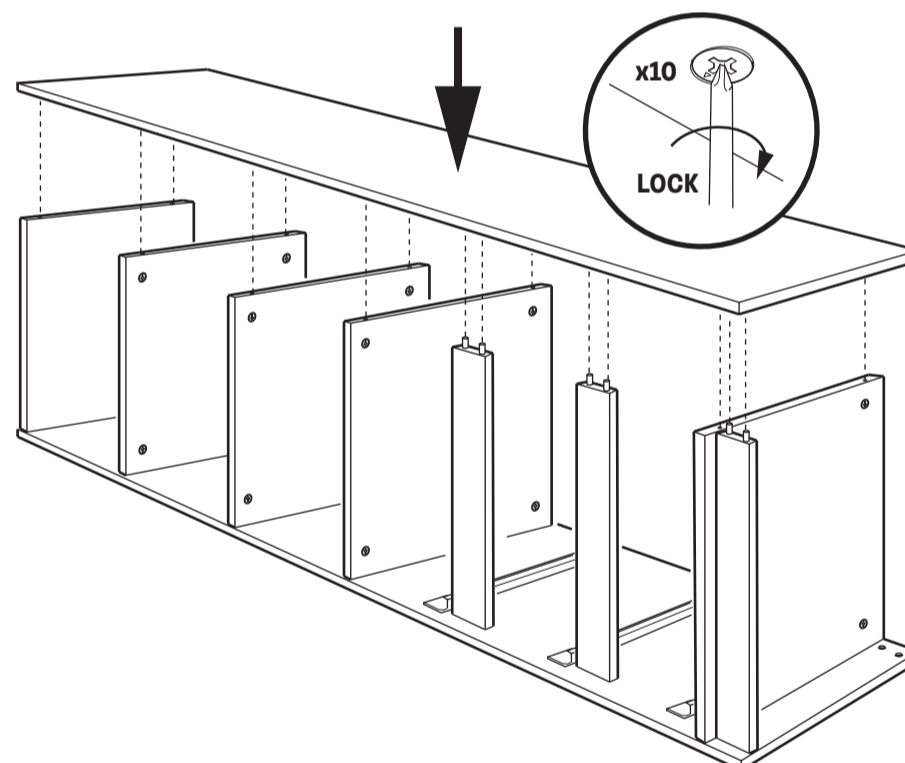
Ensure cam studs and dowels are fully located before locking cams.  
**Note:** The top panel should be fitted so cams are facing outward.



4



We recommend 2 people for this stage to ensure the correct location of the panel.

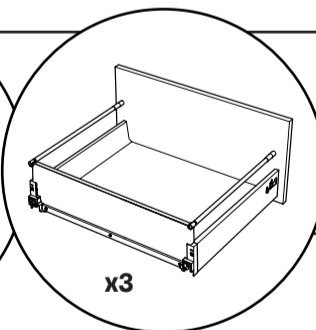
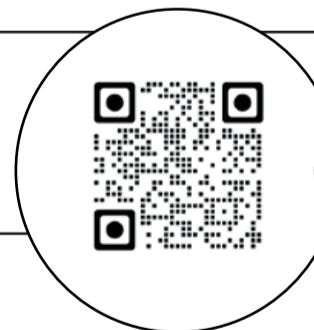


5



**Carefully stand the unit upright**

Follow the kitchen installation manual for drawer box assembly, frontal fitting and adjustment (Scan QR code for installation video)



6

Secure the unit to the wall using the brackets supplied. Bracket position can be internal or positioned on top of the cabinet.

**Note:** Wall fixing screws are not supplied, as different wall types require different fixings.

